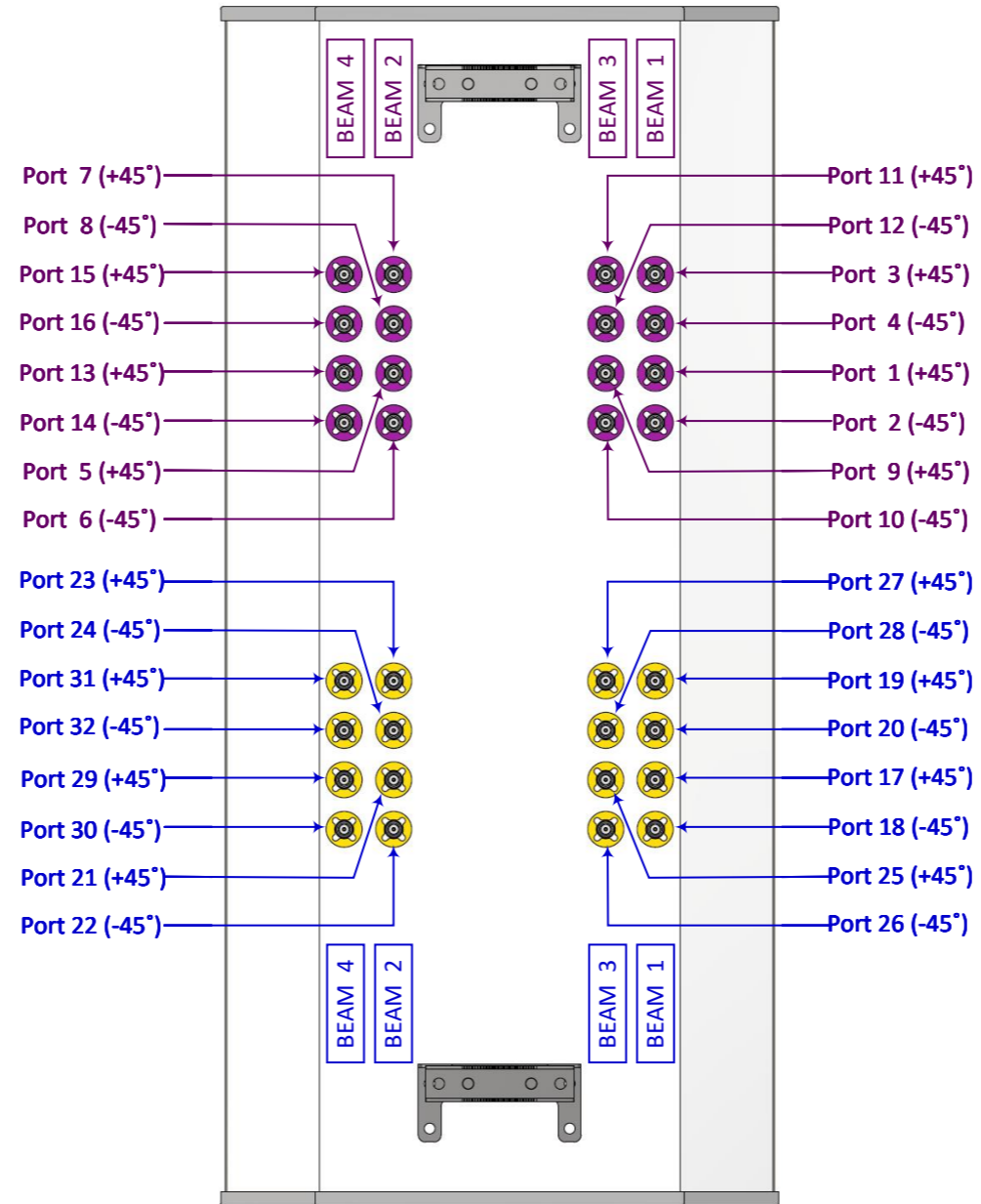


MS-SQ-4.4-F4-H4

REAR VIEW CONNECTOR LAYOUT



Date	Prepared by	Approved by	Document nos.	Rev	Changes	Antenna Connector Layout	MS-SQ-4.4-F4-H4
09 Oct 2024	Ray Ling	Pavel	SQ-4.4-F4H4-CL-001	0	1 st Release		