
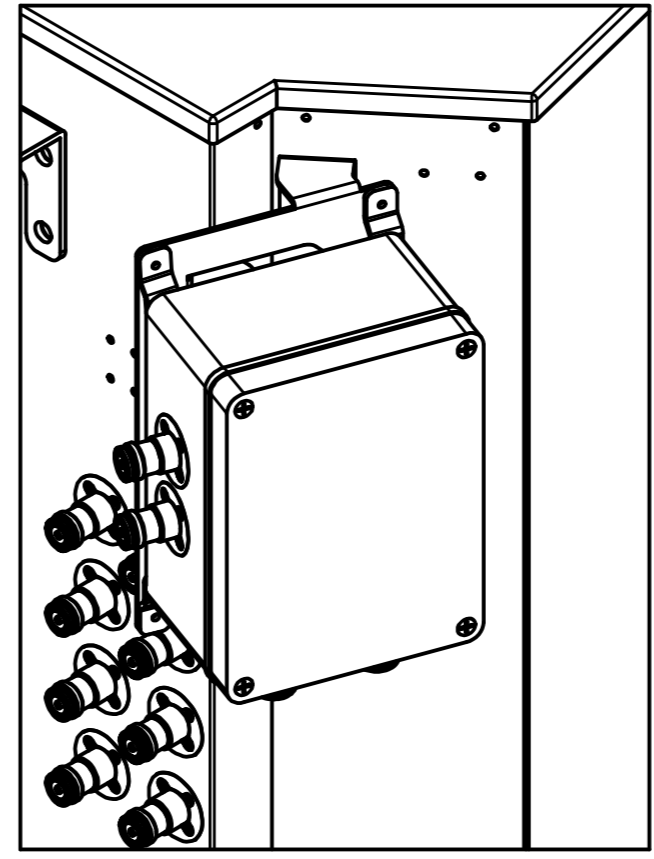
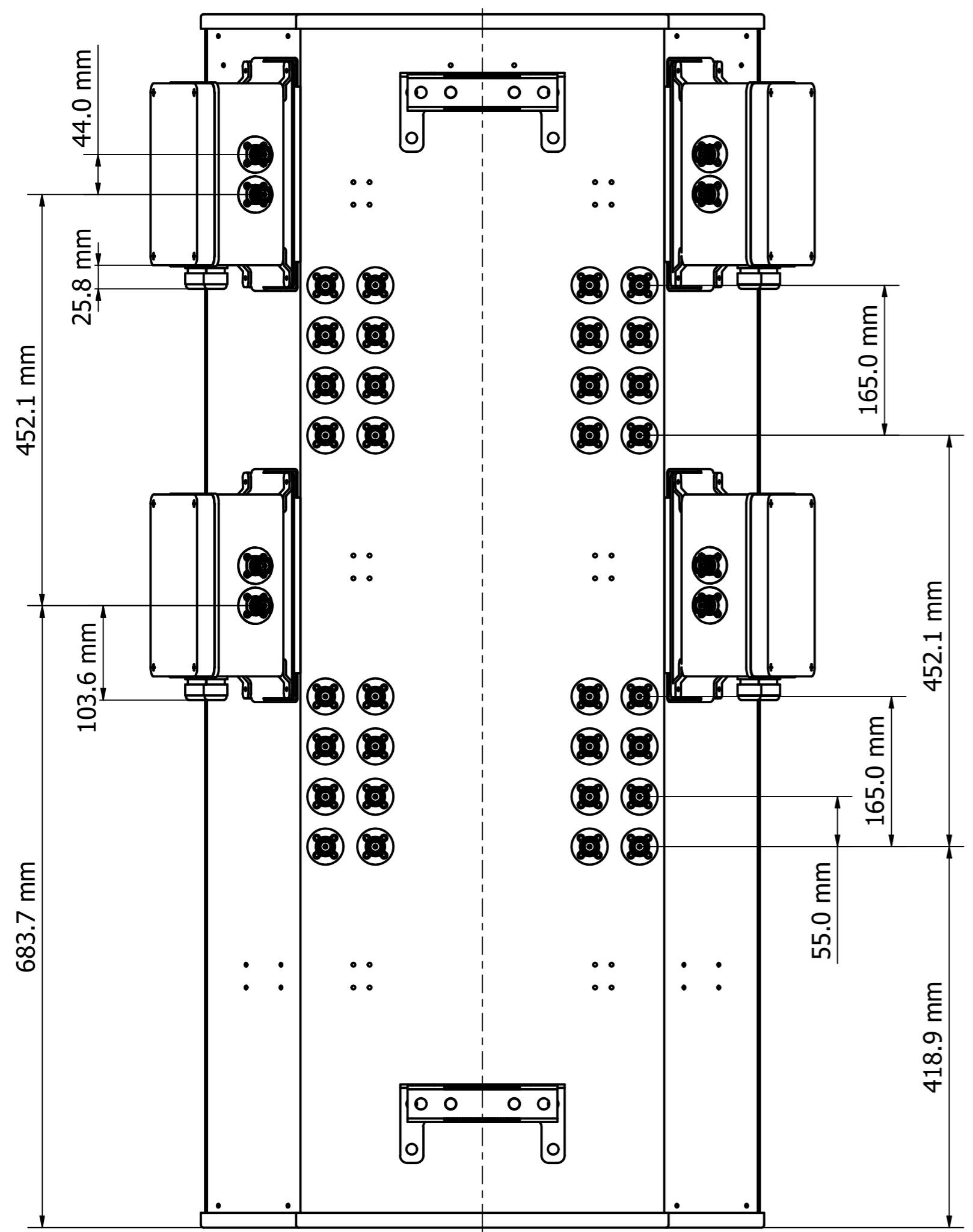
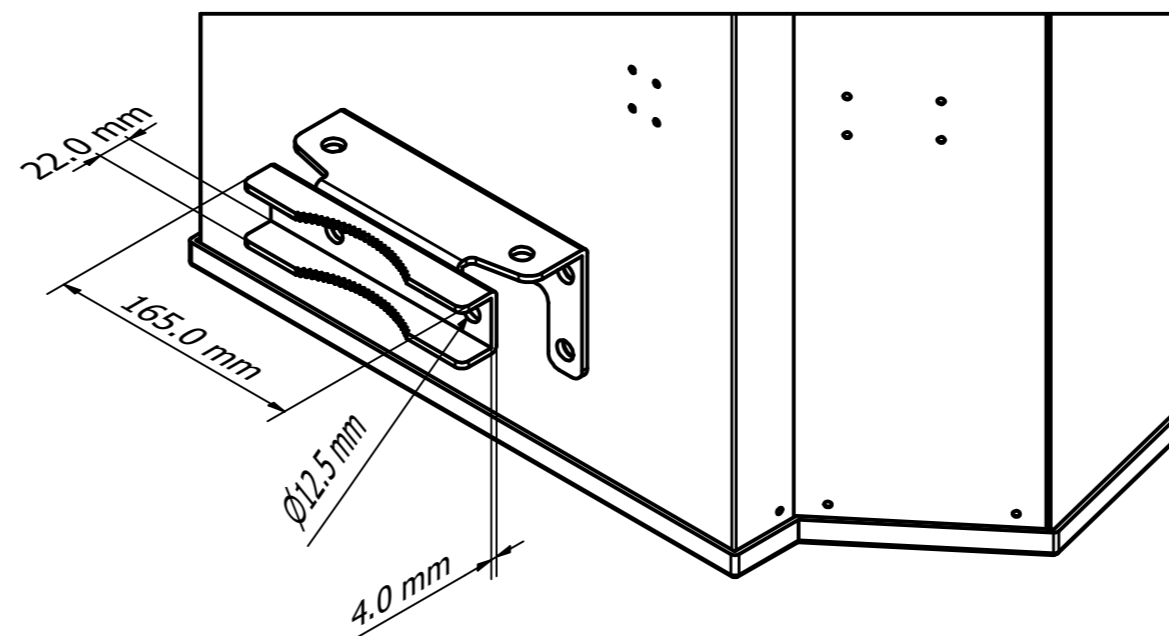


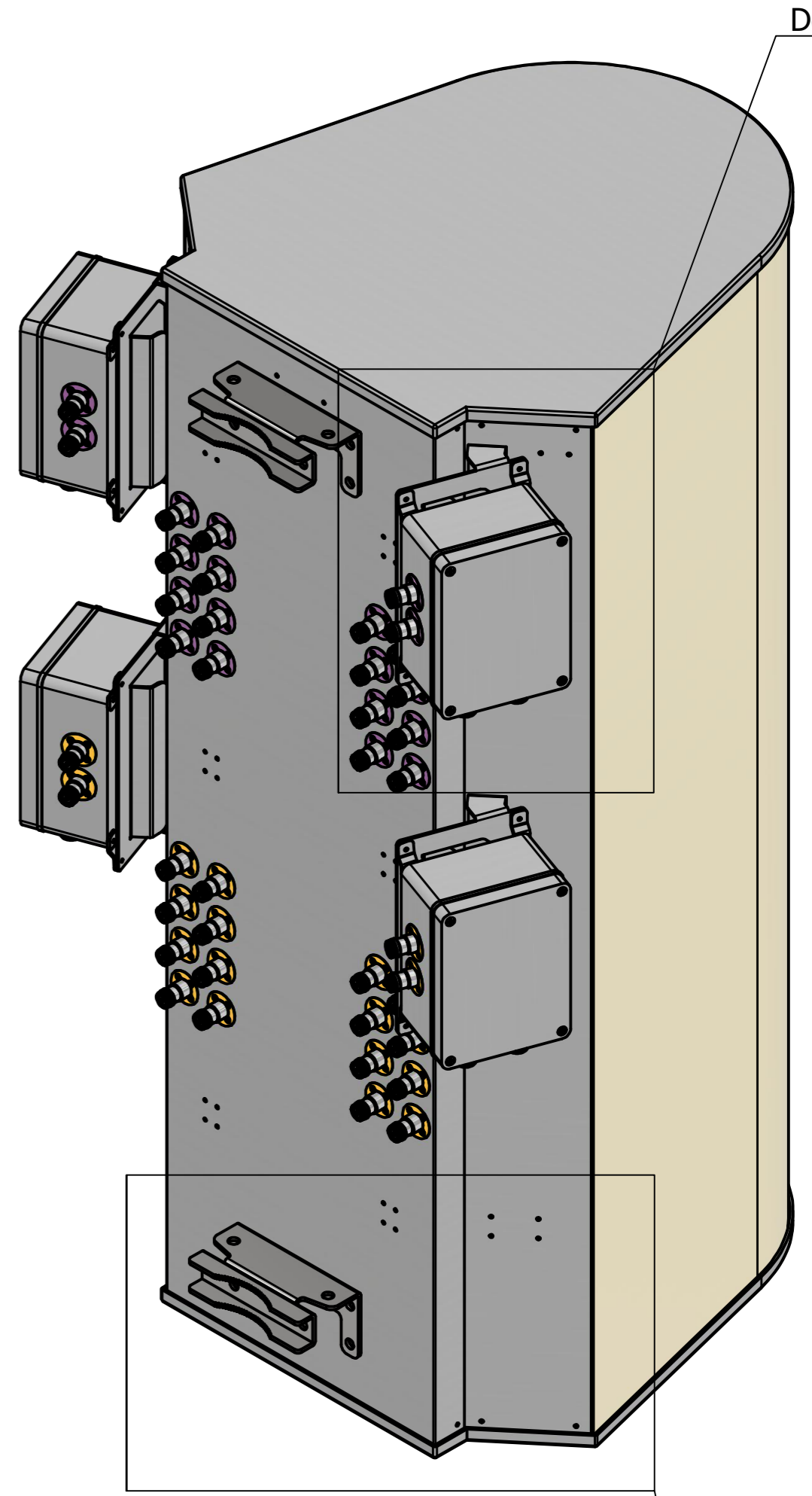
Designed by VIGNESH	Drawing by LAWRENCE	Date 5/23/2025	Approved by	Date	Quantity	Material
 <b>MATSING</b> <small>LENS TECHNOLOGY ENABLED</small>			MS-SQ-4.4-F4-H4 (4C)			
			MS-SQ-4.4-F4-H4 (4C) (mm)			Revision 1.0




Detail A

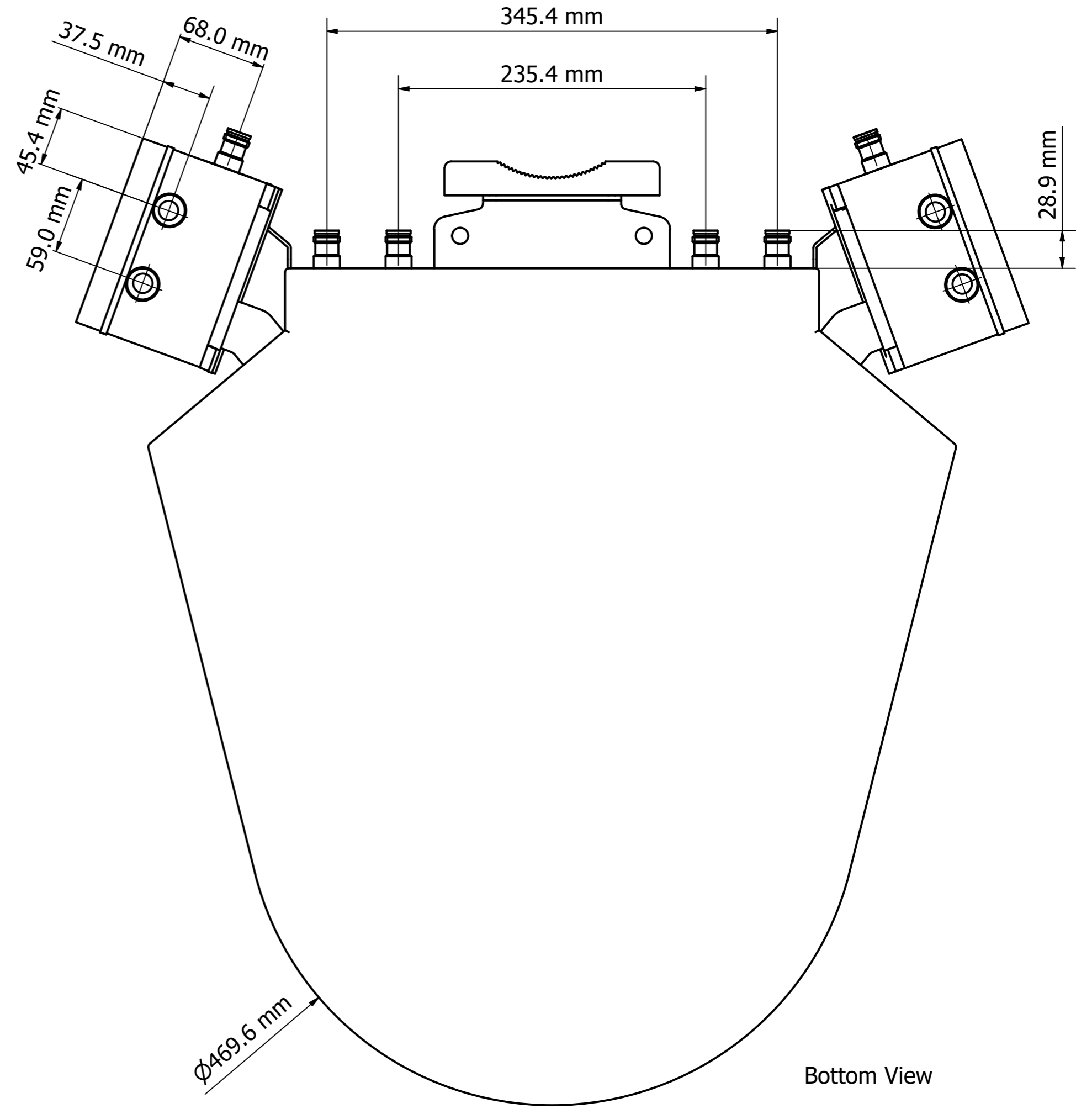
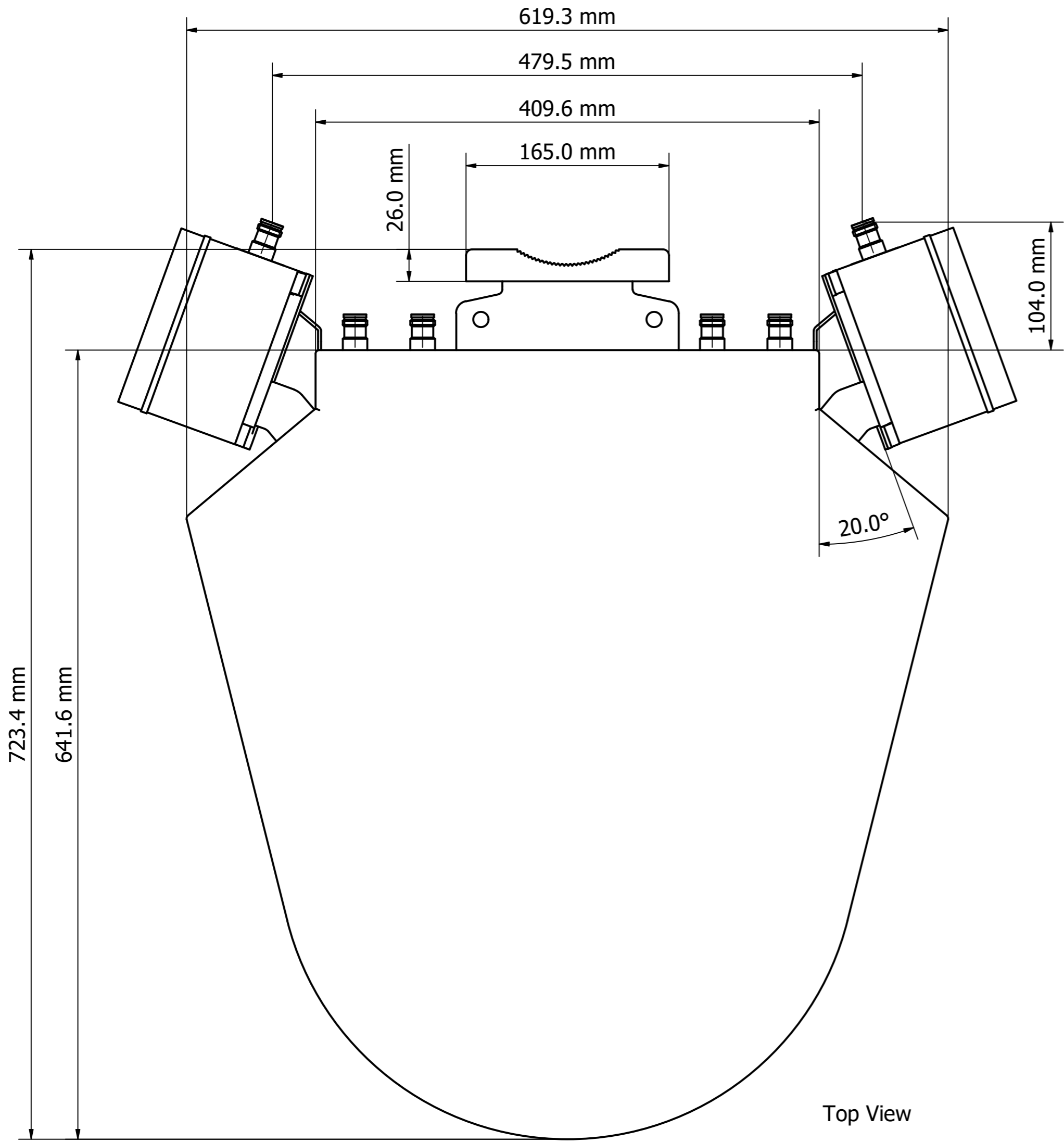



Detail B



Detail B

Designed by VIGNESH	Drawing by LAWRENCE	Date 5/23/2025	Approved by	Date	Quantity	Material
			MS-SQ-4.4-F4-H4 (4C)			
			MS-SQ-4.4-F4-H4 (4C) (mm)			Revision 1.0



Designed by VIGNESH	Drawing by LAWRENCE	Date 5/23/2025	Approved by	Date	Quantity	Material
			MS-SQ-4.4-F4-H4 (4C)			
			MS-SQ-4.4-F4-H4 (4C) (mm)			Revision 1.0