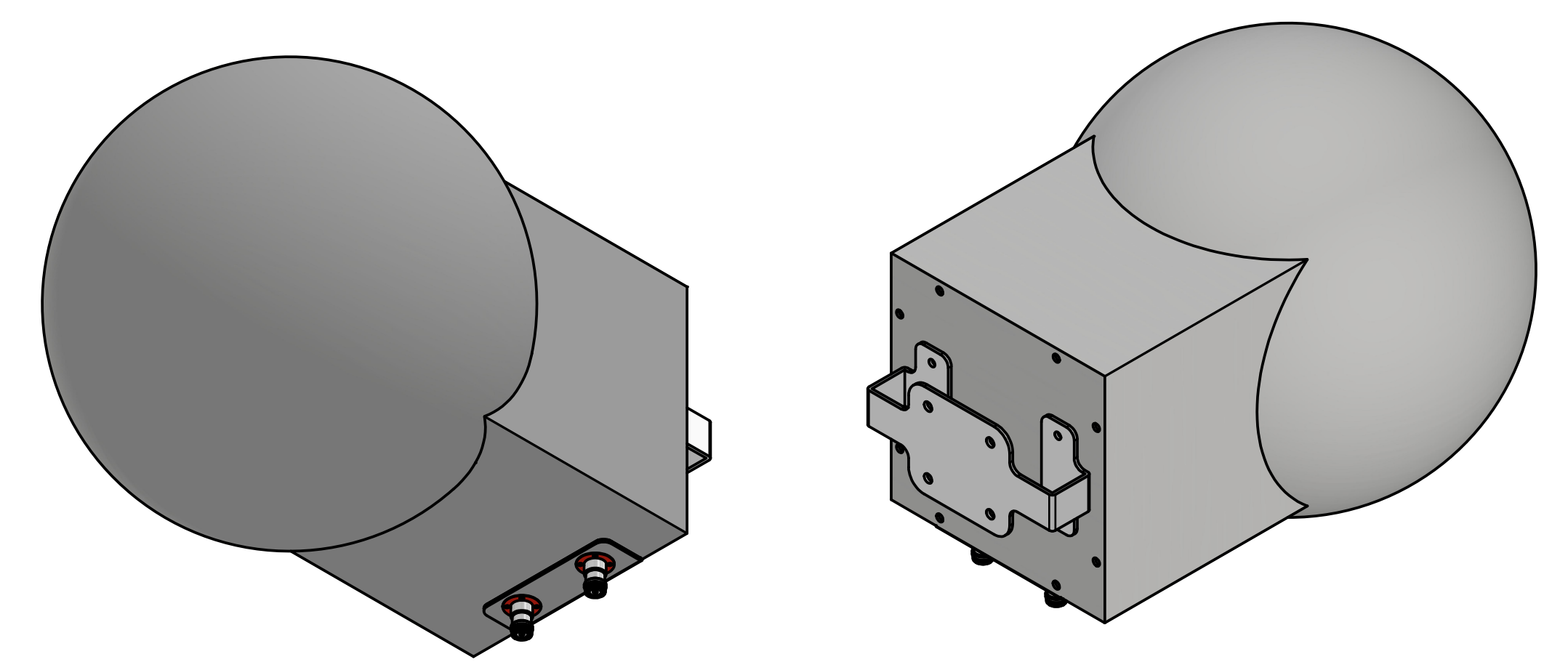
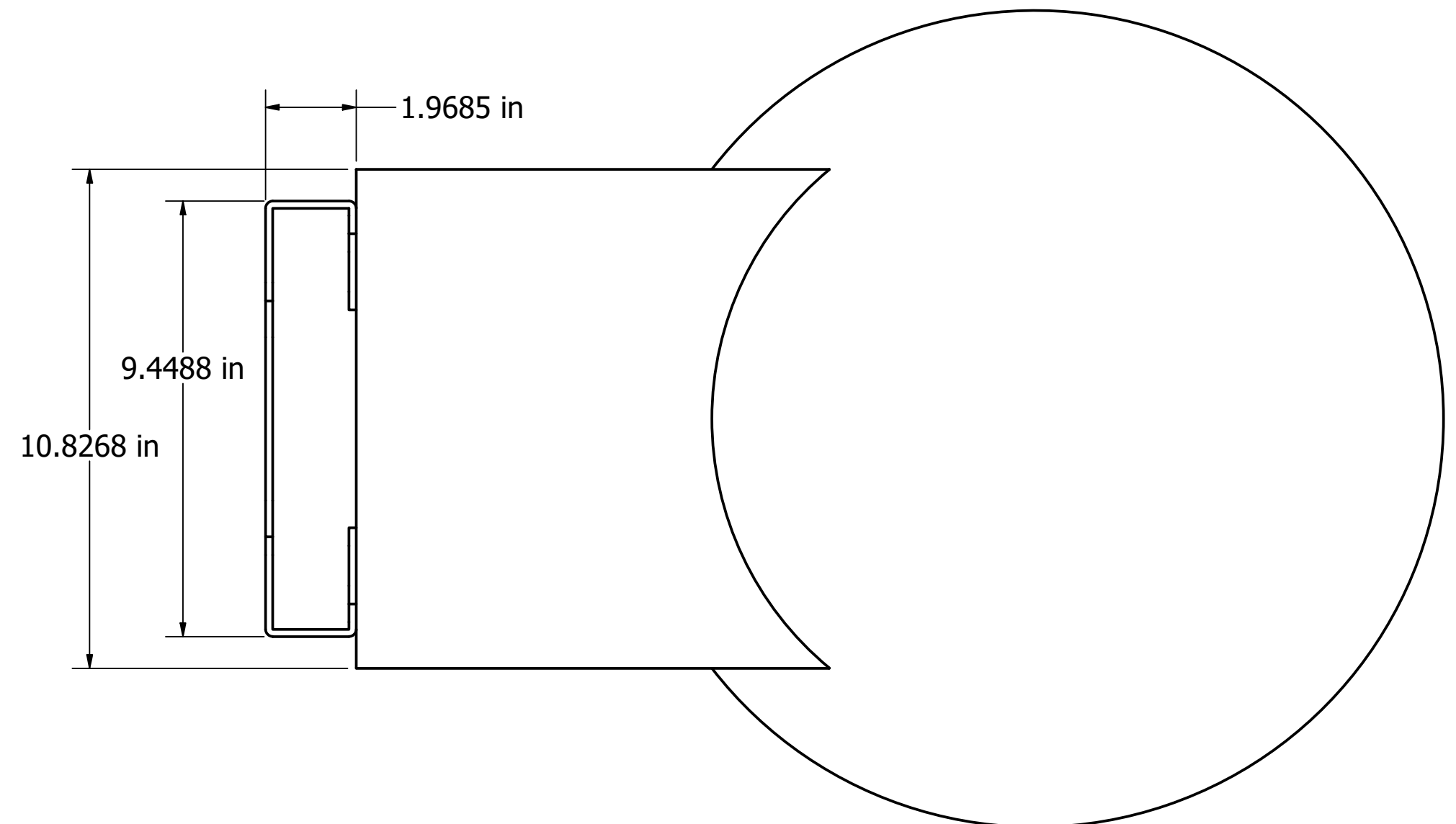
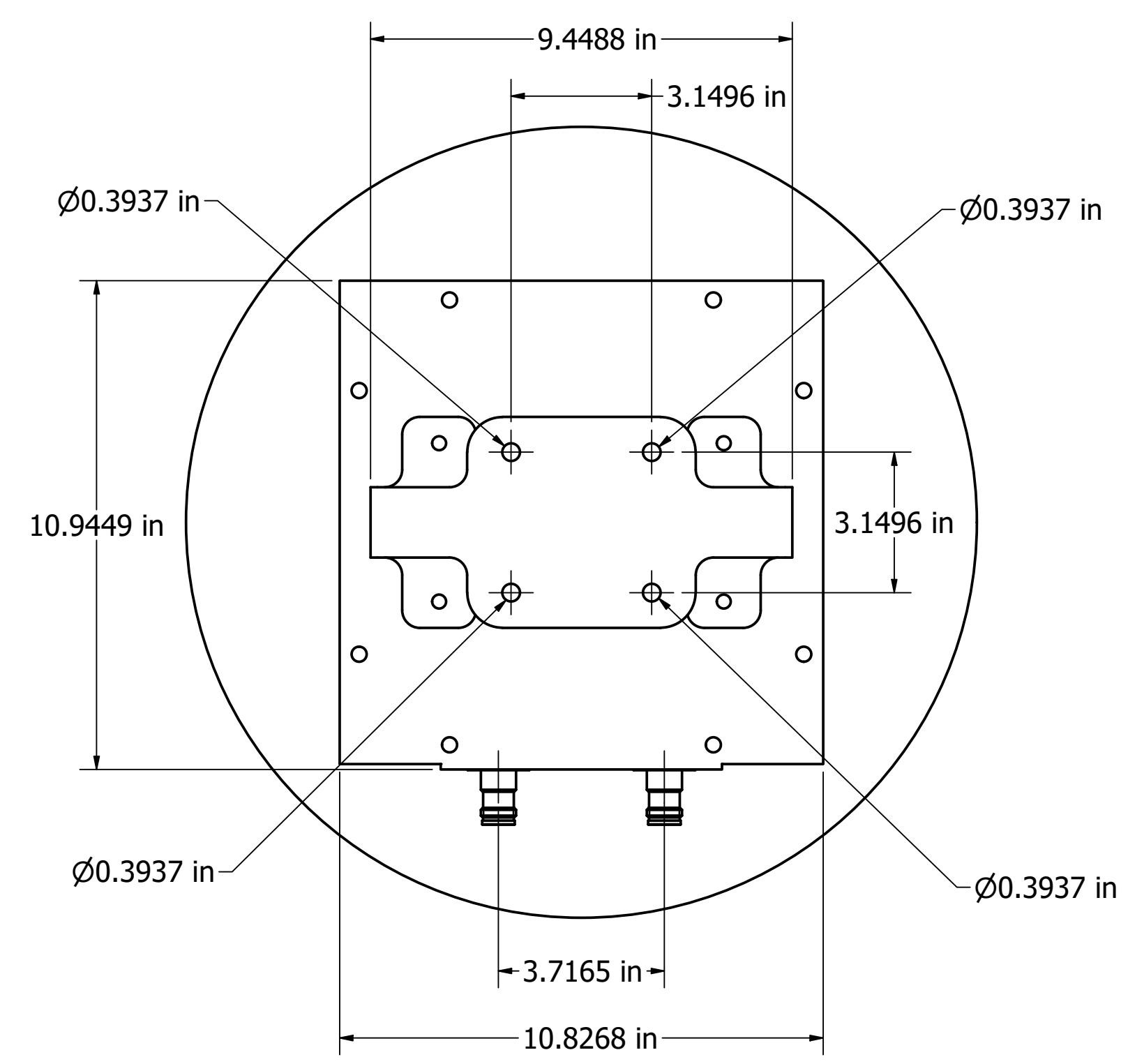
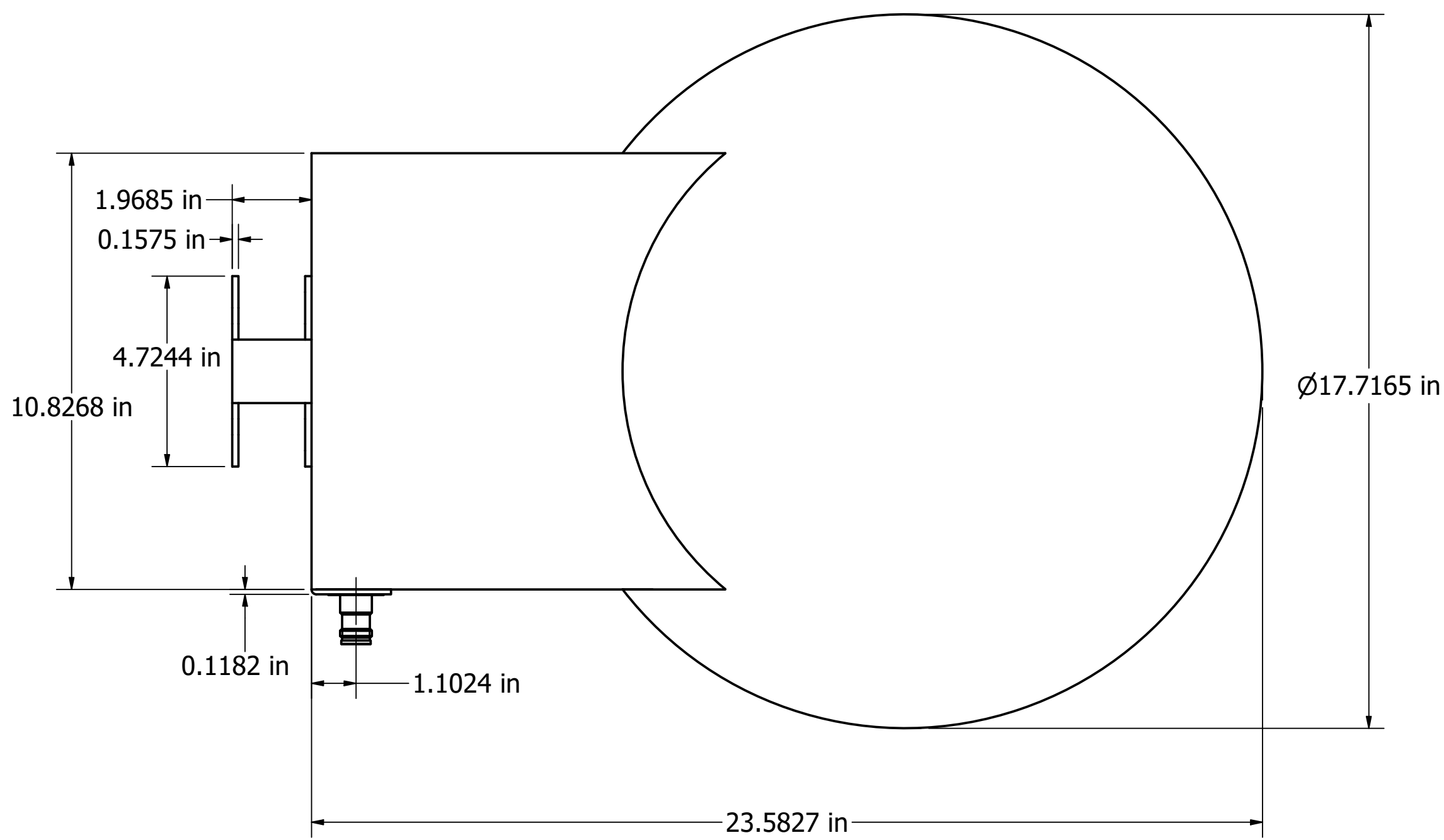


1 2 3 4 5 6 7 8

A B C D E F



Designed by PAVEL	Drawing by LAWRENCE	Date 13/12/2021	Approved by PAVEL	Date 13/12/2021	Quantity	Material
MATSING LENS TECHNOLOGY ENABLED						MS-SB34-L
MS-SB34-L (in)					Revision 1.0	Sheet 1 / 1

1 2 3 4 5 6 7 8

F