

Date	Prepared by	Approved by	Document nos	Revision
28 Jul 2022	Ray Ling	Pavel	MS-SB23-LAA-IM-001	0

**INSTRUCTION MANUAL MS-SB23-LAA**

**TABLE OF CONTENTS:**

**1.00 BEAMS, CONNECTORS & DIMENSIONS:**

- 1.10 Resultant Beam And Connector Layout
- 1.20 Antenna Dimensions
  - 1.21 Rear View
  - 1.22 Side View

**2.00 PATTERN DIAGRAM**

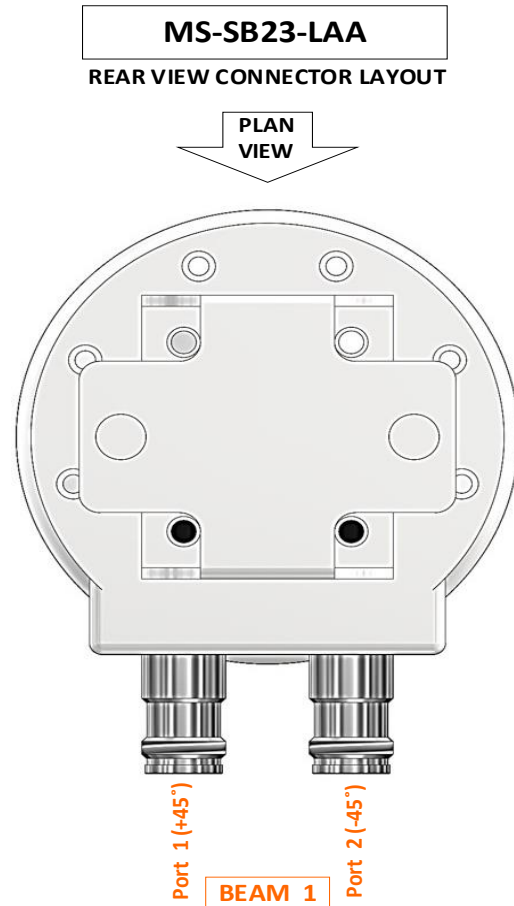
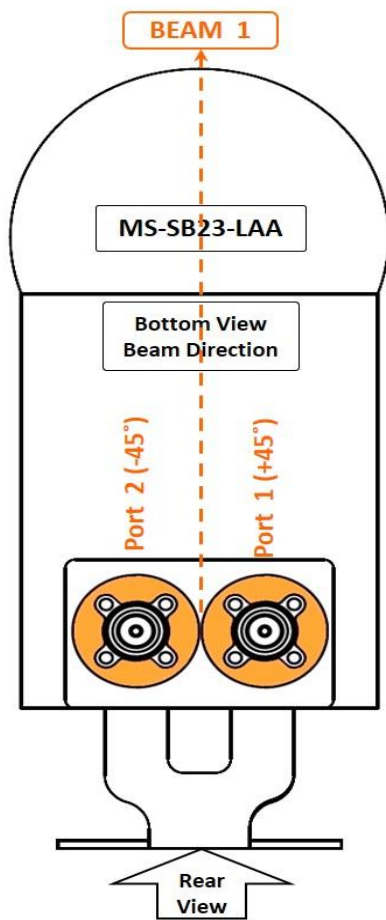
- 2.10 Horizontal Pattern Frequency:
- 2.20 Vertical Pattern Frequency:

**Revision History:**

Date	Description	Revised by	Revision nos.

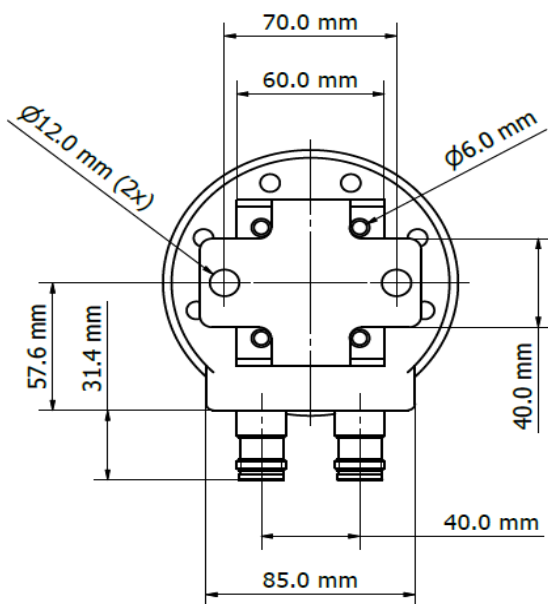
## 1.00 BEAMS, CONNECTORS & DIMENSIONS:

### 1.10 Resultant Beam And Connector Layout

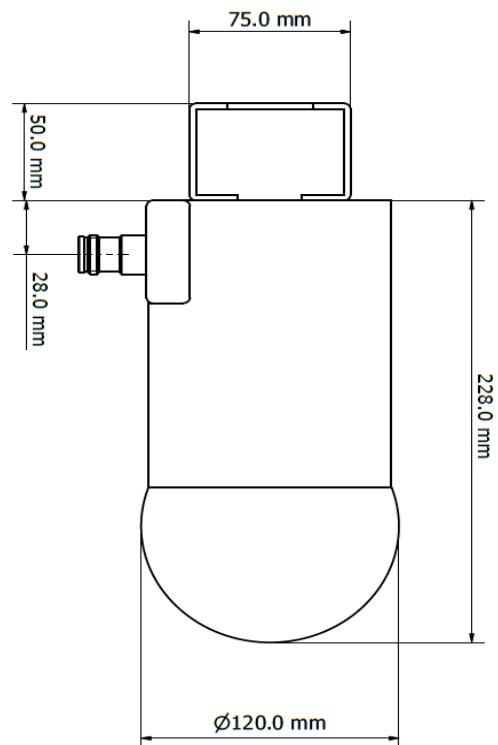


### 1.20 Antenna Dimensions

#### 1.21 Rear View

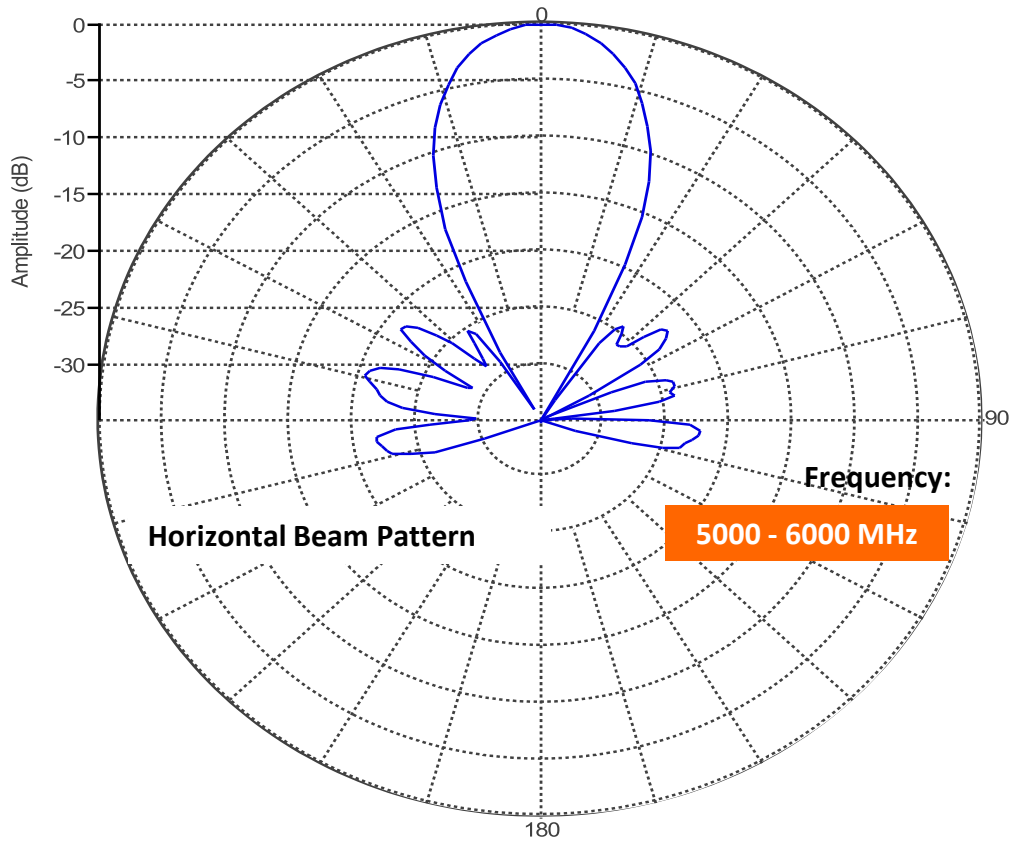


#### 1.22 Side View



## 2.00 PATTERN DIAGRAM

### 2.10 Horizontal Pattern Frequency:



### 2.20 Vertical Pattern Frequency:

