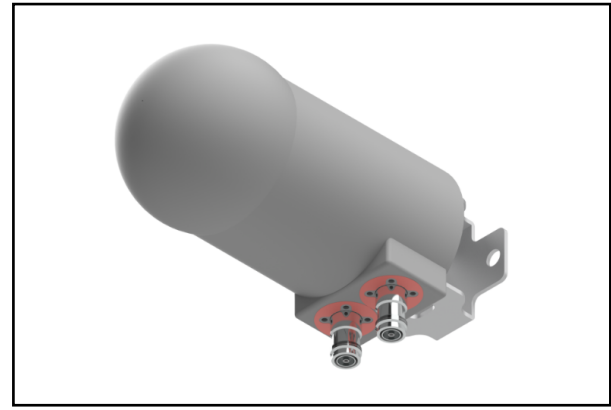


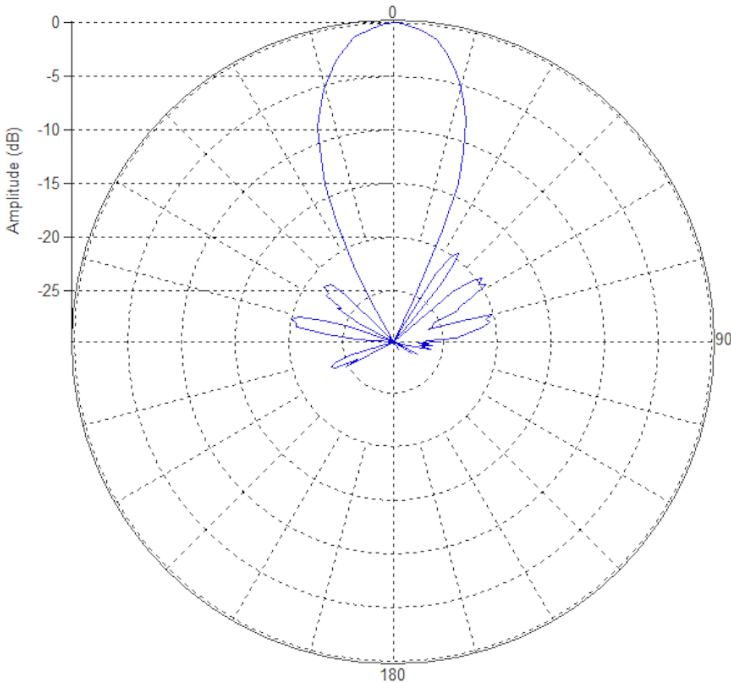
MS-SB23-LAA

Lens Technology Enabled™ Base-Station Antenna perfect for stadium applications , utilizes a patented spherical lens design with 1 isolated LAA-frequency (5000-6000MHz) cross-polarized beam. Beam has 2 cross-polarized ports for supporting 2X2 MIMO and low side-lobe levels.

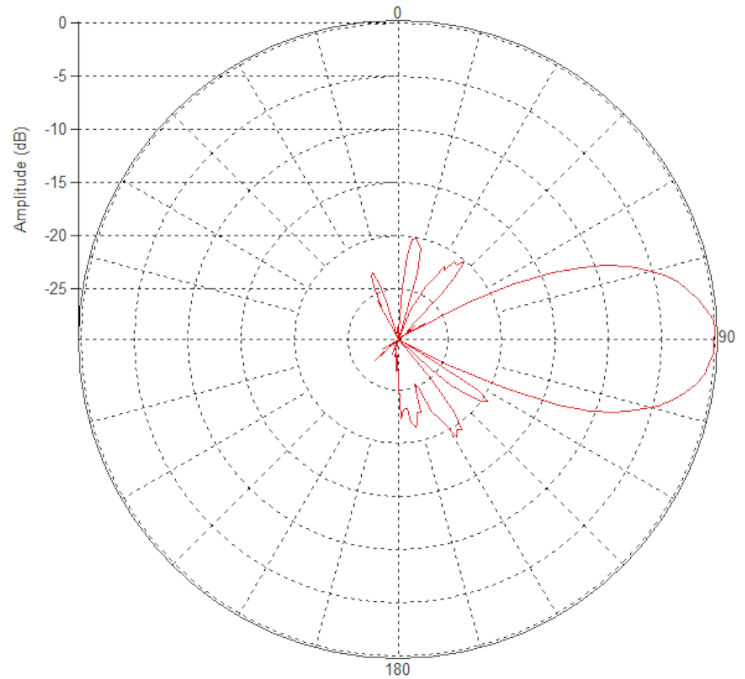


PATTERN RESULTS:

High-Band Horizontal Pattern (5.5GHz)



High-Band Vertical pattern (5.5GHz)



TECHNICAL SPECIFICATIONS

Frequency	5000-6000 MHz
Gain	6dBi
VSWR	<1.5:1
Polarization	Dual Slant ±45
Horizontal Coverage	40°
Horizontal Beamwidth (10dB)	40°
Horizontal Beamwidth (3dB)	23°
Vertical Beamwidth (10dB)	40°
Vertical Beamwidth (3dB)	23°
Total Number of Beams	1
Number of Ports per Beam	2
First Sidelobe level	<-20dB
Front to Back Ratio	>28dB
Isolation Port to Port - Polarization	>28dB
Power Rating	20W per port
Intermodulation	<-153dBc
Impedance	50 Ohm
Connector Quantity and Type	2x4.3-10 female

MECHANICAL DATA

Dimensions (H x W x D)	12 x 12 x 28 cm 4.7 x 4.7 x 11 inch
Antenna Weight	0.8 kg 1.7 lbs
Radome Material	Polycarbonate
Mounting	TBD

ENVIRONMENTAL RATINGS

Humidity	95% RH @ +30°C
Temperature	-40°C to +70°C
Wind Load	N/lbf Frontal: 3.0/0.67 Lateral: 29.5/6.63

CONNECTOR LAYOUT:

