

Date	Prepared by	Approved by	Document nos	Revision
18 Nov 2022	Ray Ling	Pavel	MS-SB23-F-IM-001	0

## INSTRUCTION MANUAL MS-SB23-F

### TABLE OF CONTENTS:

#### 1.00 BEAMS, CONNECTORS & DIMENSIONS:

- 1.10 Beam Direction And Connector Layout
- 1.20 Antenna Dimensions
  - 1.21 Rear View
  - 1.22 Side View

#### 2.00 PATTERN DIAGRAM

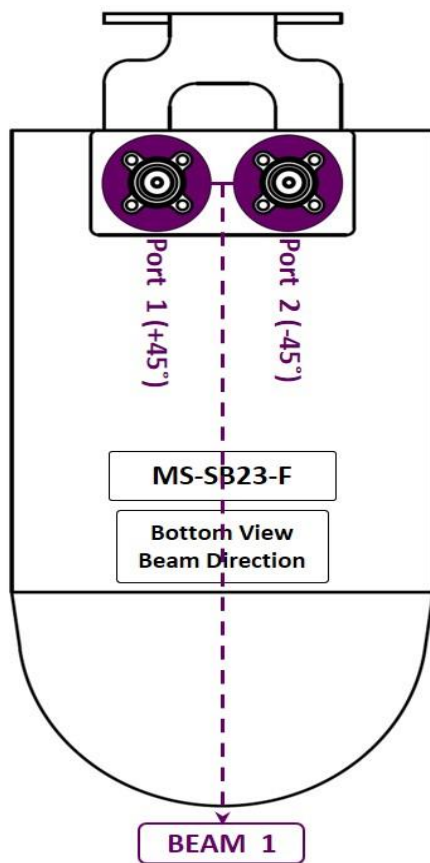
- 2.10 Horizontal Pattern Frequency:
- 2.20 Vertical Pattern Frequency:

#### Revision History:

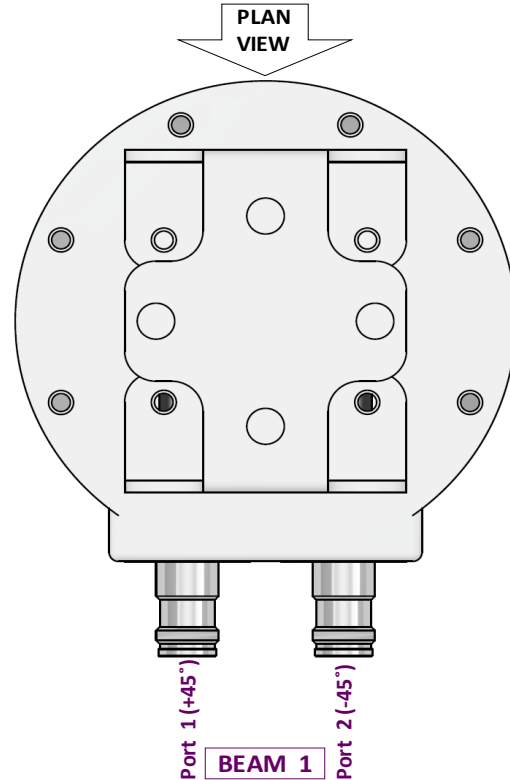
Date	Description	Revised by	Revision nos.

# 1.00 BEAMS, CONNECTORS & DIMENSIONS:

## 1.10 Beam Direction And Connector Layout

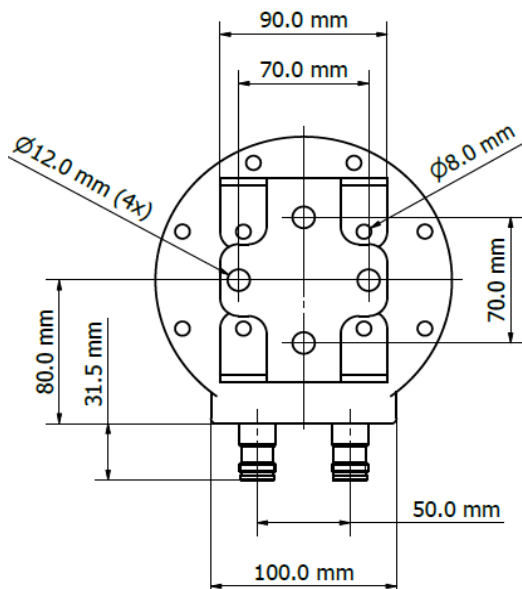


MS-SB23-F  
REAR VIEW CONNECTOR LAYOUT

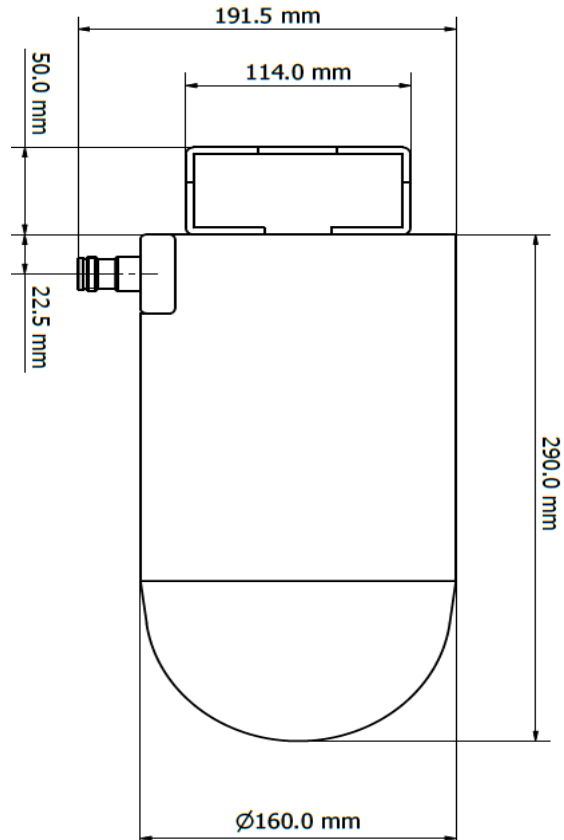


## 1.20 Antenna Dimensions

### 1.21 Rear View

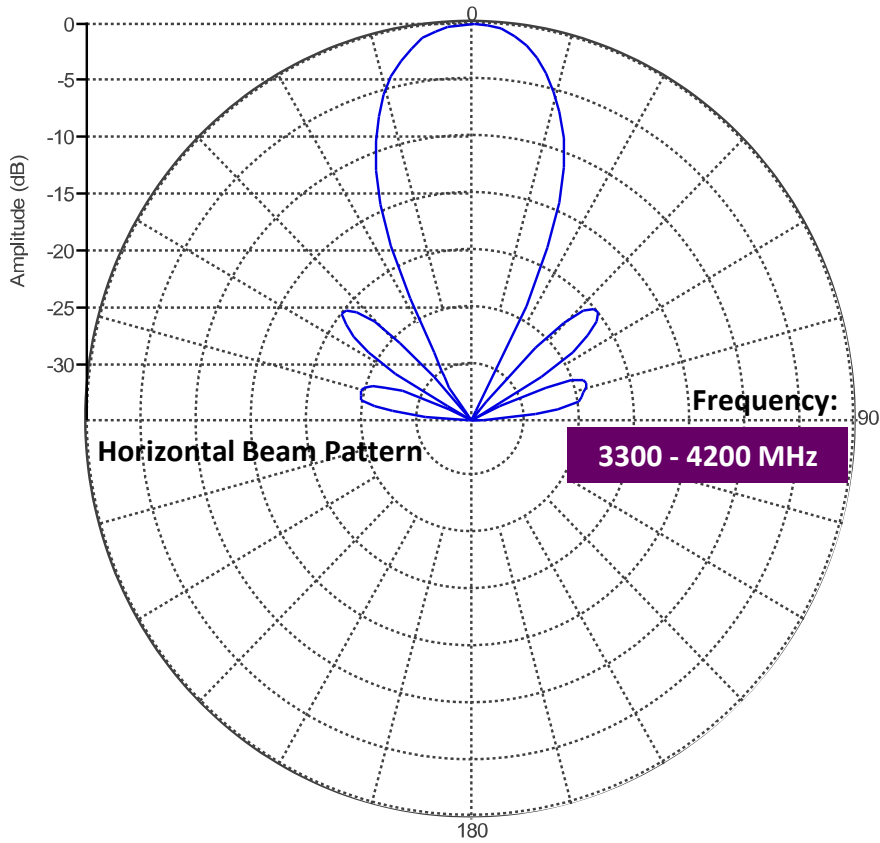


### 1.22 Side View



## 2.00 PATTERN DIAGRAM

### 2.10 Horizontal Pattern Frequency:



### 2.20 Vertical Pattern Frequency:

