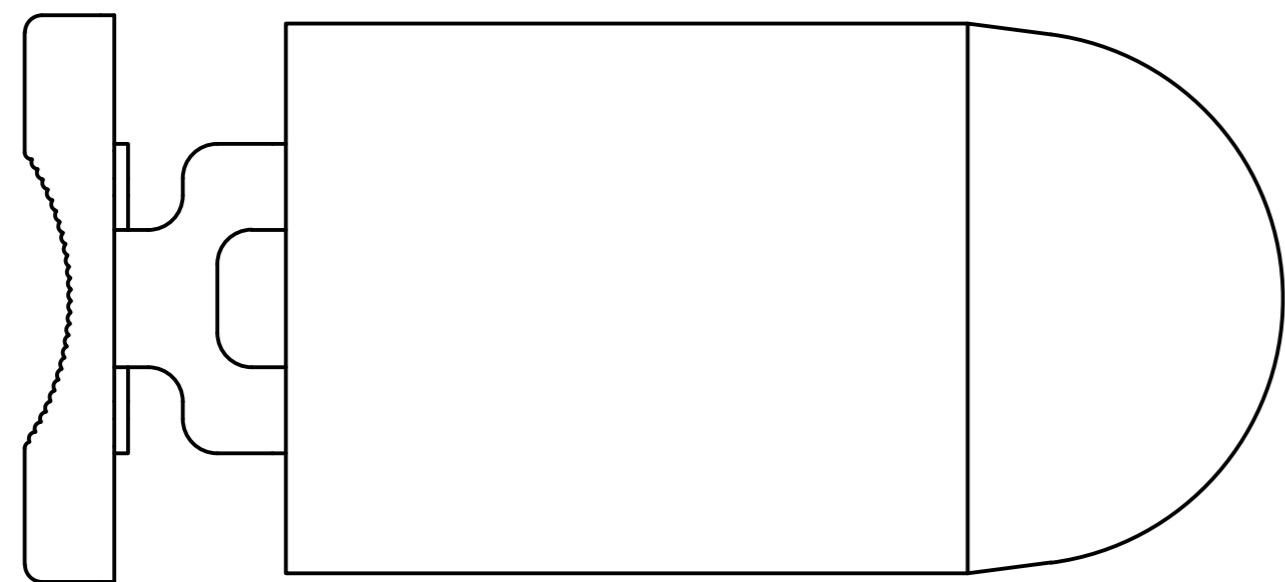
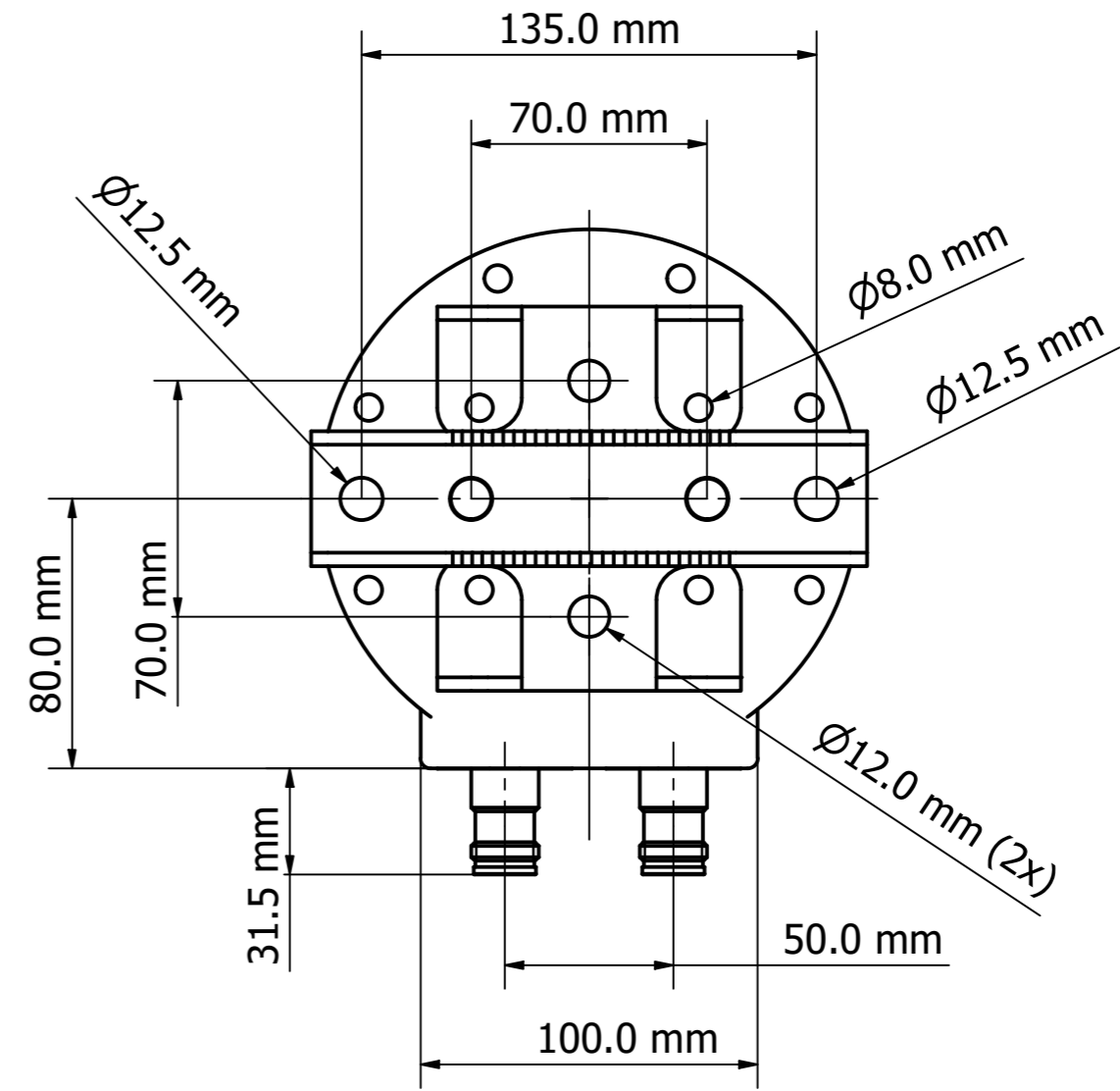
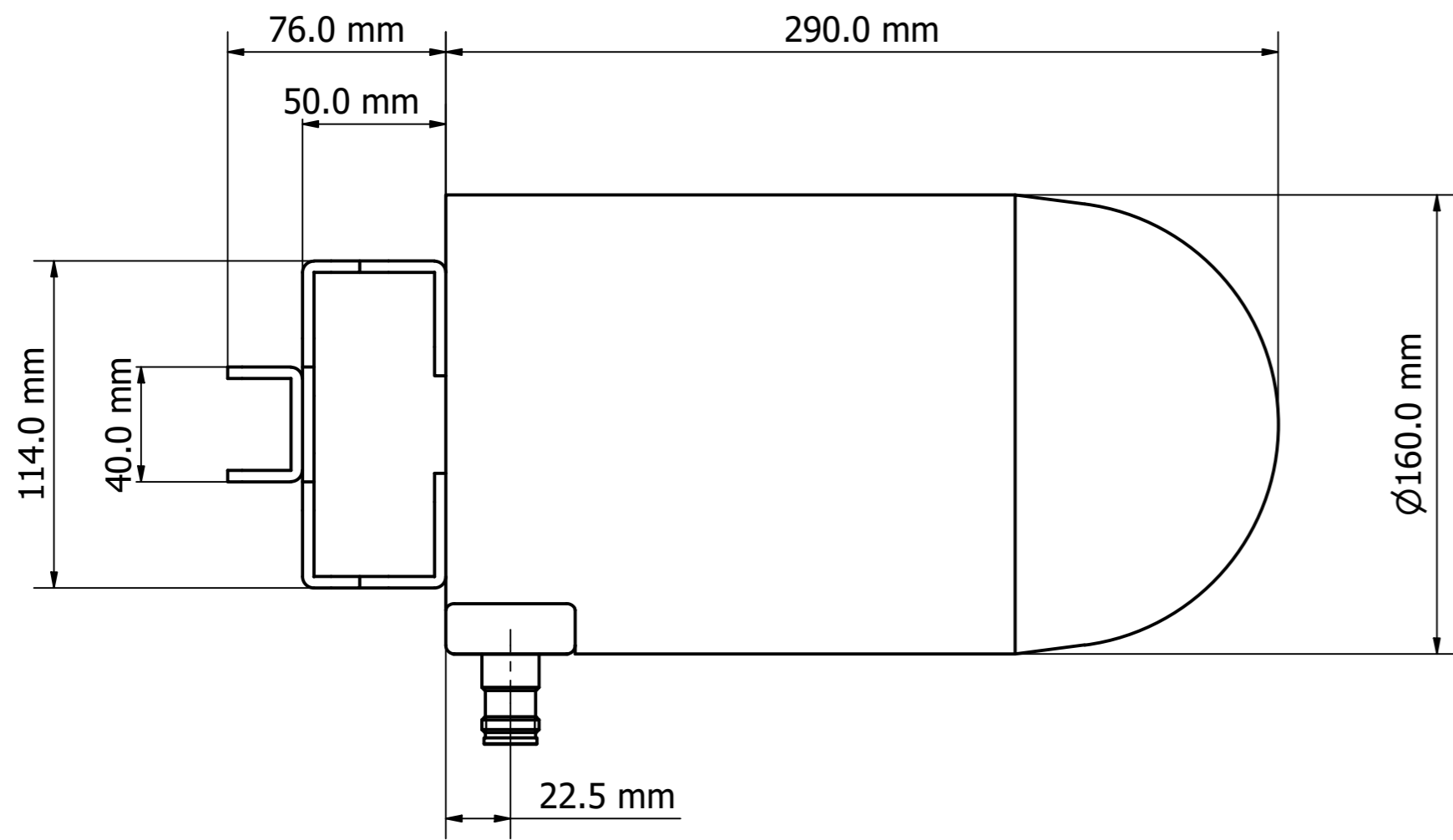
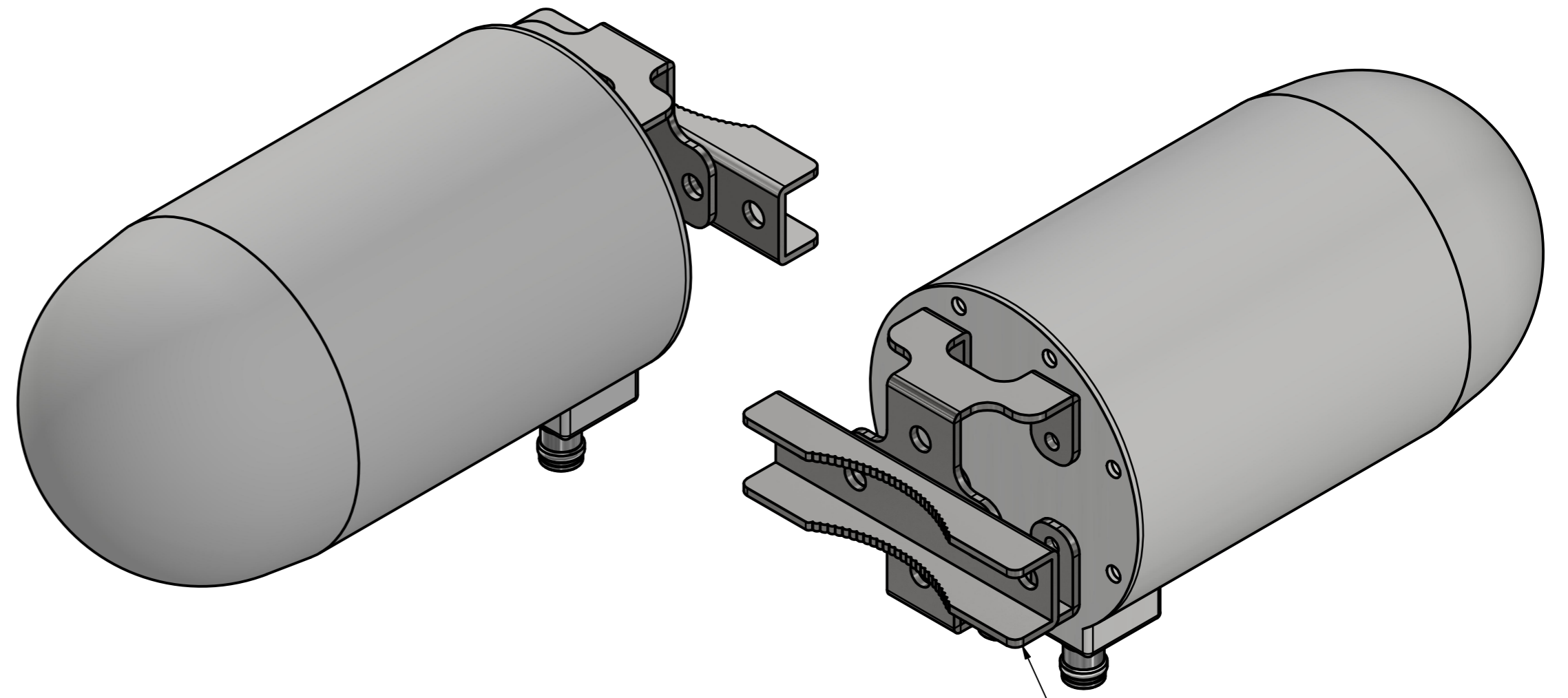
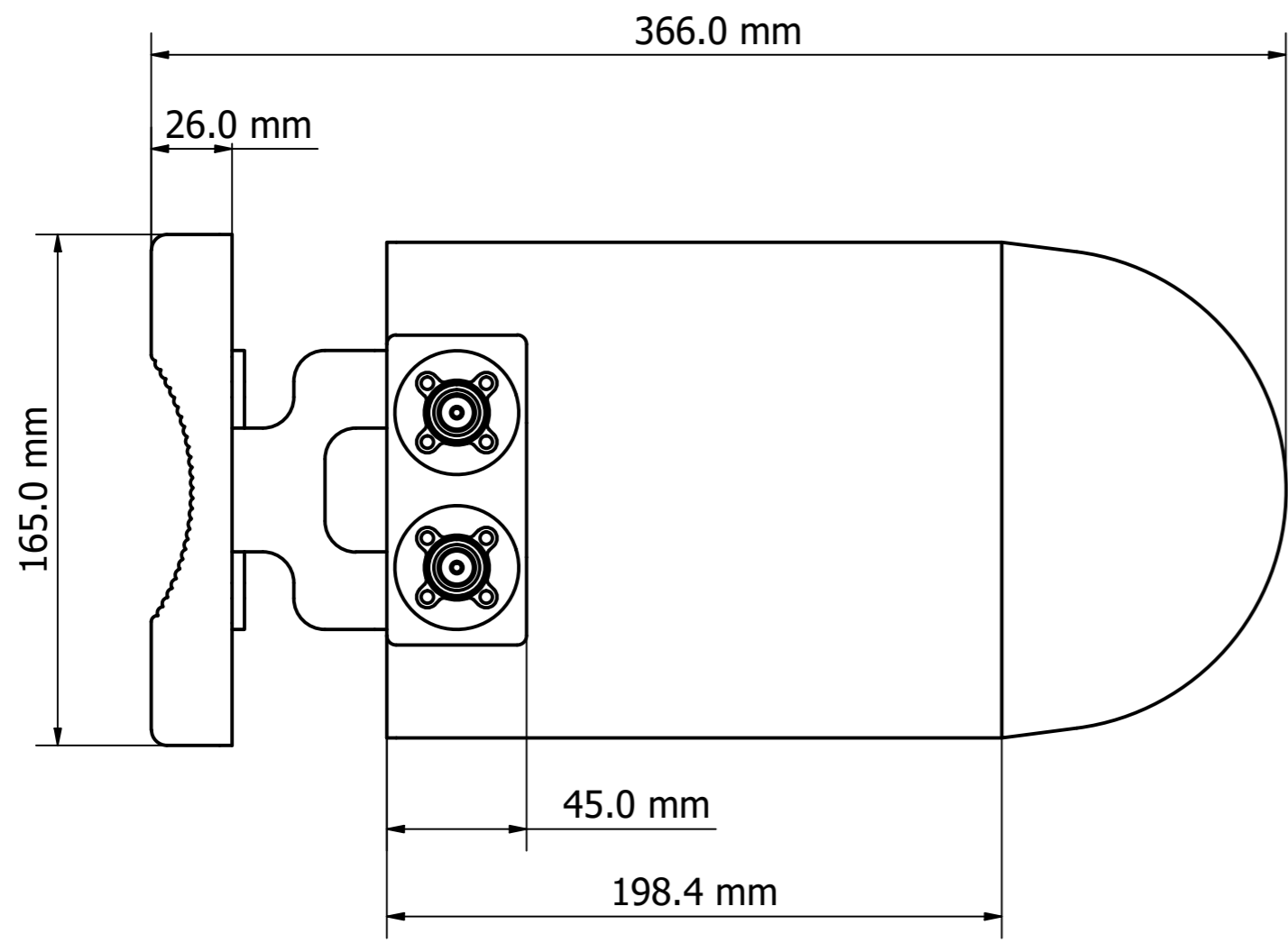


Designed by	Drawing by	Date	Approved by	Date	Quantity	Material
VIGNESH	LAWRENCE	21/11/2022	PAVEL	22/11/2022		
<b>MATSING</b> LENS TECHNOLOGY ENABLED						MS-SB23-F
						MS-SB23-F (mm)
					Revision	Sheet
					1.0	1 / 2



Designed by VIGNESH	Drawing by LAWRENCE	Date 21/11/2022	Approved by PAVEL	Date 22/11/2022	Quantity	Material	
<b>MATSING</b> LENS TECHNOLOGY ENABLED						MS-SB23-F	
MS-SB23-F (mm)						Revision 1.0	Sheet 2 / 2