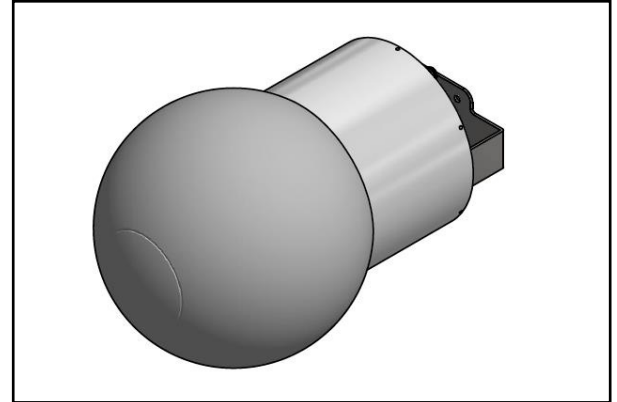


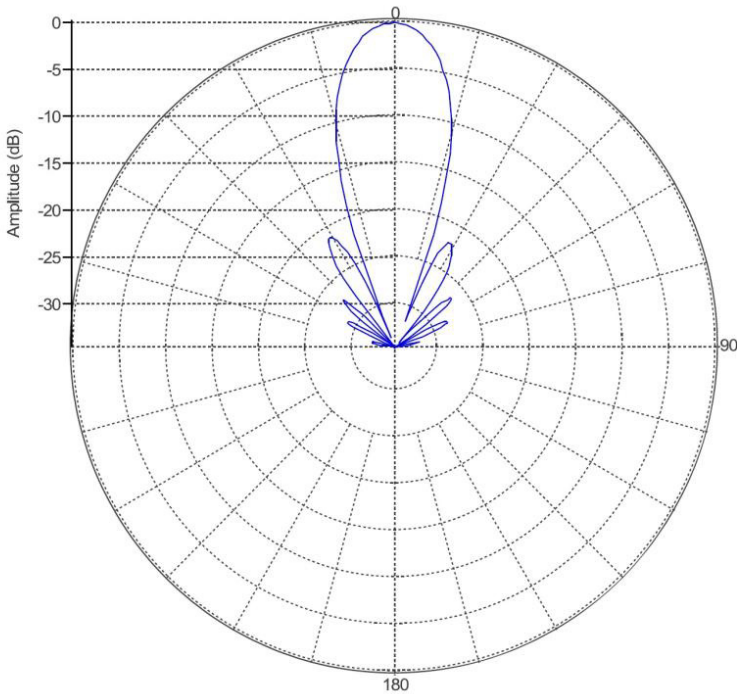
MS-SB17-H

Lens Technology Enabled™ Base-Station Antenna perfect for stadium applications, utilizes a patented spherical lens design with 1 isolated high-frequency (1710-2690MHz) cross-polarized beam. Beam has 2 cross-polarized ports for supporting 2X2 MIMO and low side-lobes.

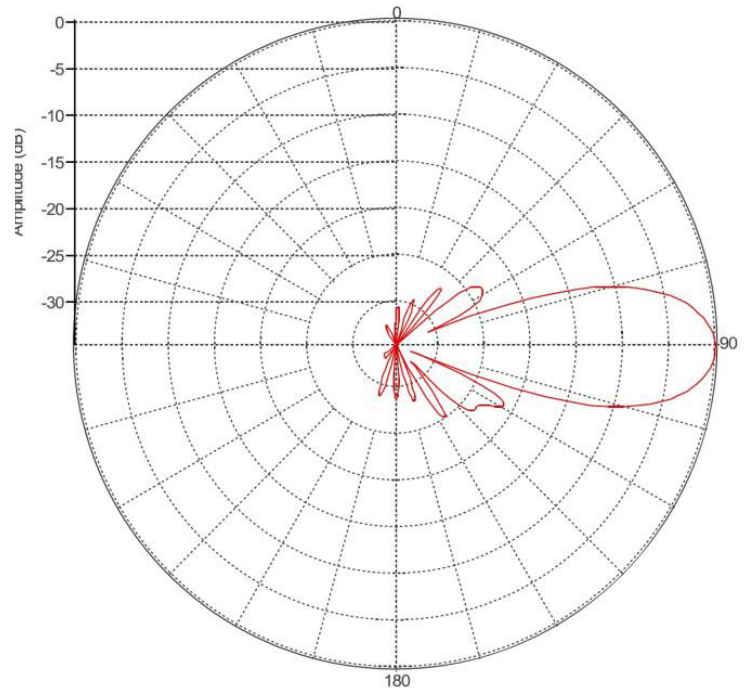


PATTERN RESULTS:

High-Band Horizontal Pattern (1.80GHz)



High-Band Vertical pattern (1.80GHz)



TECHNICAL SPECIFICATIONS

Frequency	1710 - 2690 MHz
Gain	19.5dBi
VSWR	<1.5:1
Polarization	Dual Slant $\pm 45^\circ$
Horizontal Coverage	30°
Horizontal Beamwidth (3dB)	17°
Vertical Beamwidth (3dB)	17°
Total Number of Beams	1
Number of Ports per Beam	2
First Sidelobe level	<-20dB
Front to Back Ratio	>28dB
Isolation Port to Port - Polarization	>28dB
Power Rating	250W per port
Intermodulation	<-153dBc
Impedance	50 ohm
Connector Quantity and Type	2 x 4.3-10 female

MECHANICAL DATA

Dimensions (H x W x D)	46 x 46 x 69 cm 18 x 18 x 27 inch
Antenna Weight	7kg 15.4lbs
Radome Material	Polycarbonate
Mounting	TBD

ENVIRONMENTAL RATINGS

Humidity	95% RH @ +30°C
Temperature	-40°C to +70°C
Wind load @ 160 km/hr	N/lf Frontal : 94.4/21.2 Lateral: 196.7/44.2

CONNECTOR LAYOUT:

