

Wind Load

Antenna MS-SB-17F

Antenna Model Number

MS-SB-17F

Velocity [km/h]

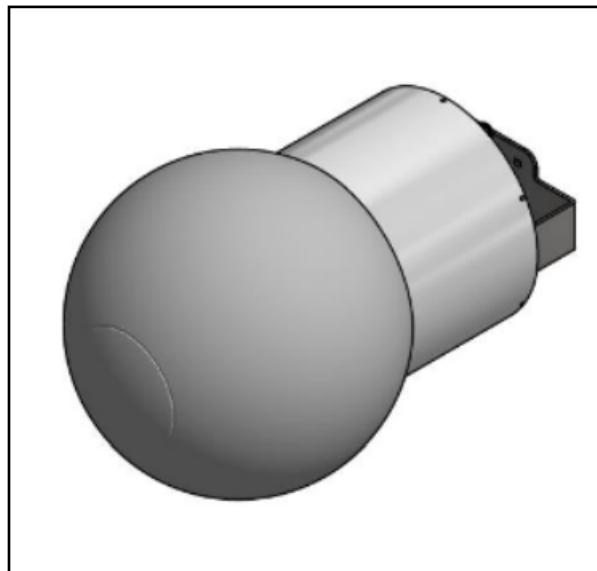
160

Dimensions: H x W x D [mm]

250 x 250 x 430

Spherical Lens Diameter [mm]

250



Results

	Frontal	Lateral
Antenna Drag Coefficient	0.47	0.63
Wind Load [N/lbf]	27.8/6.25	56.7/12.74