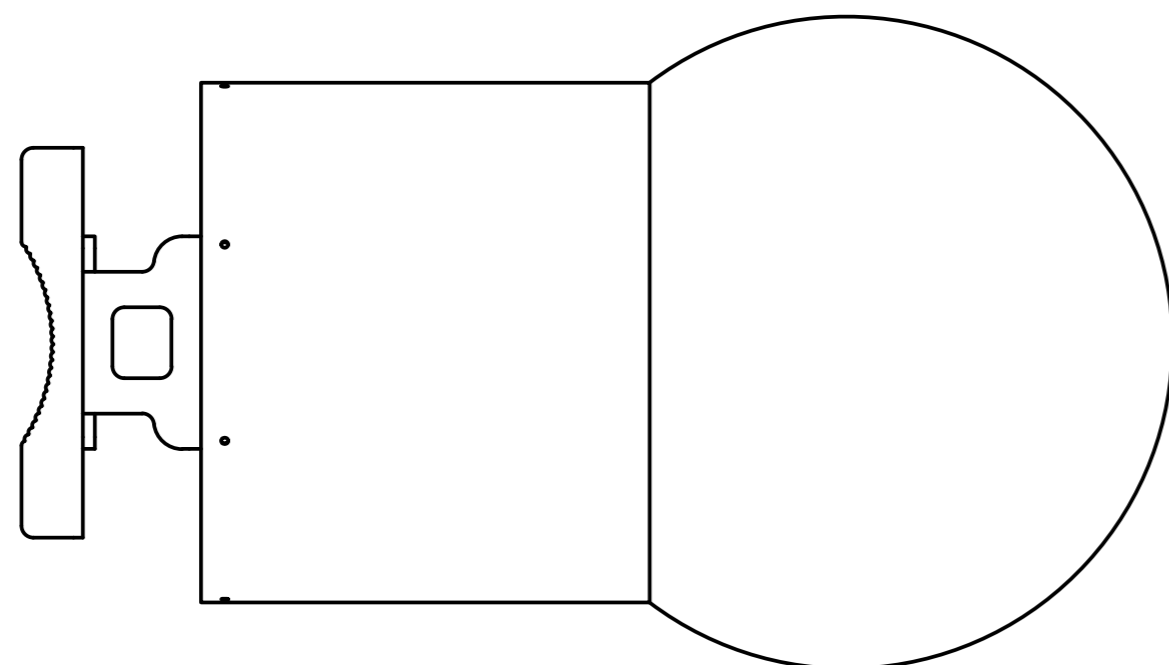
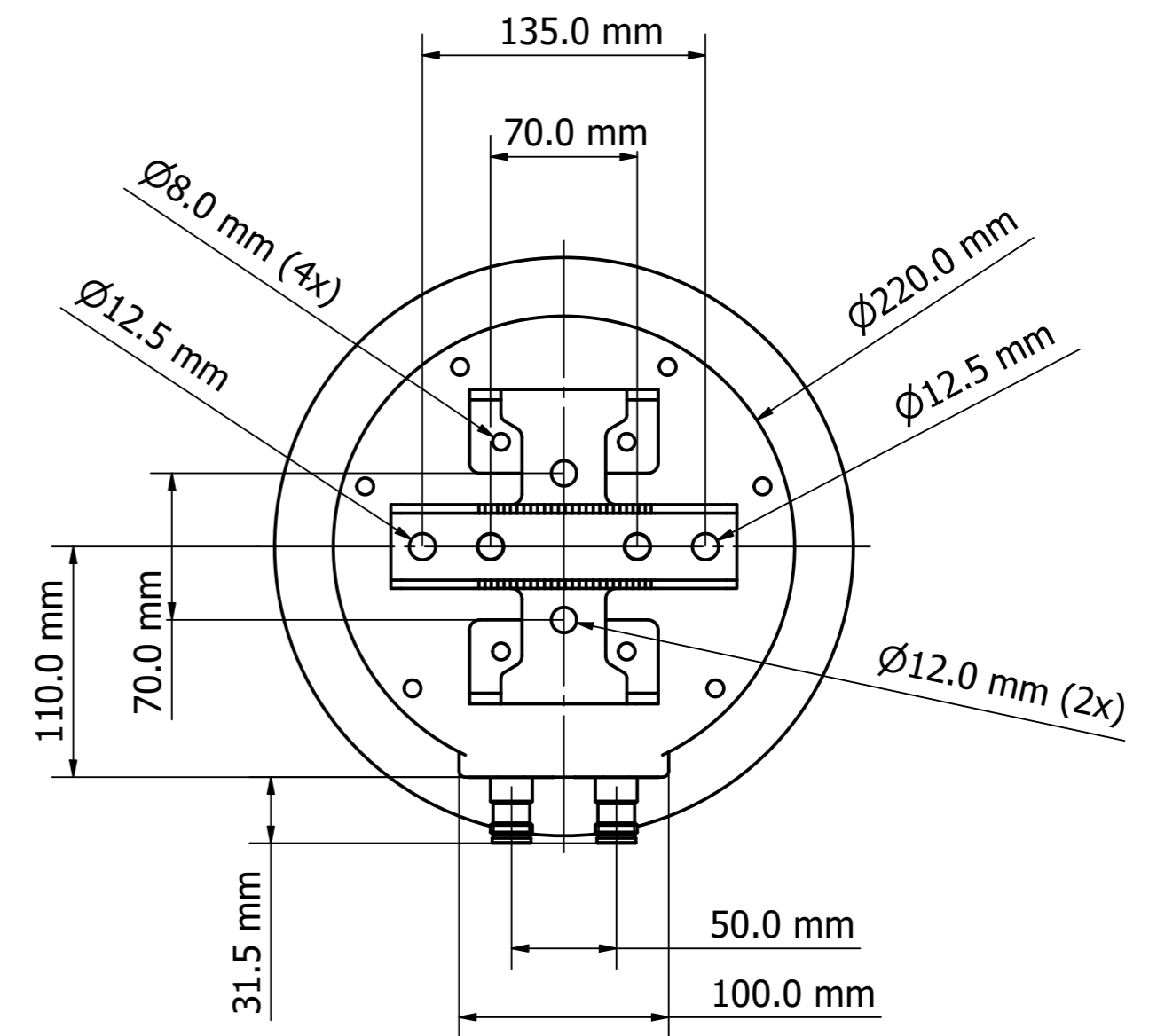
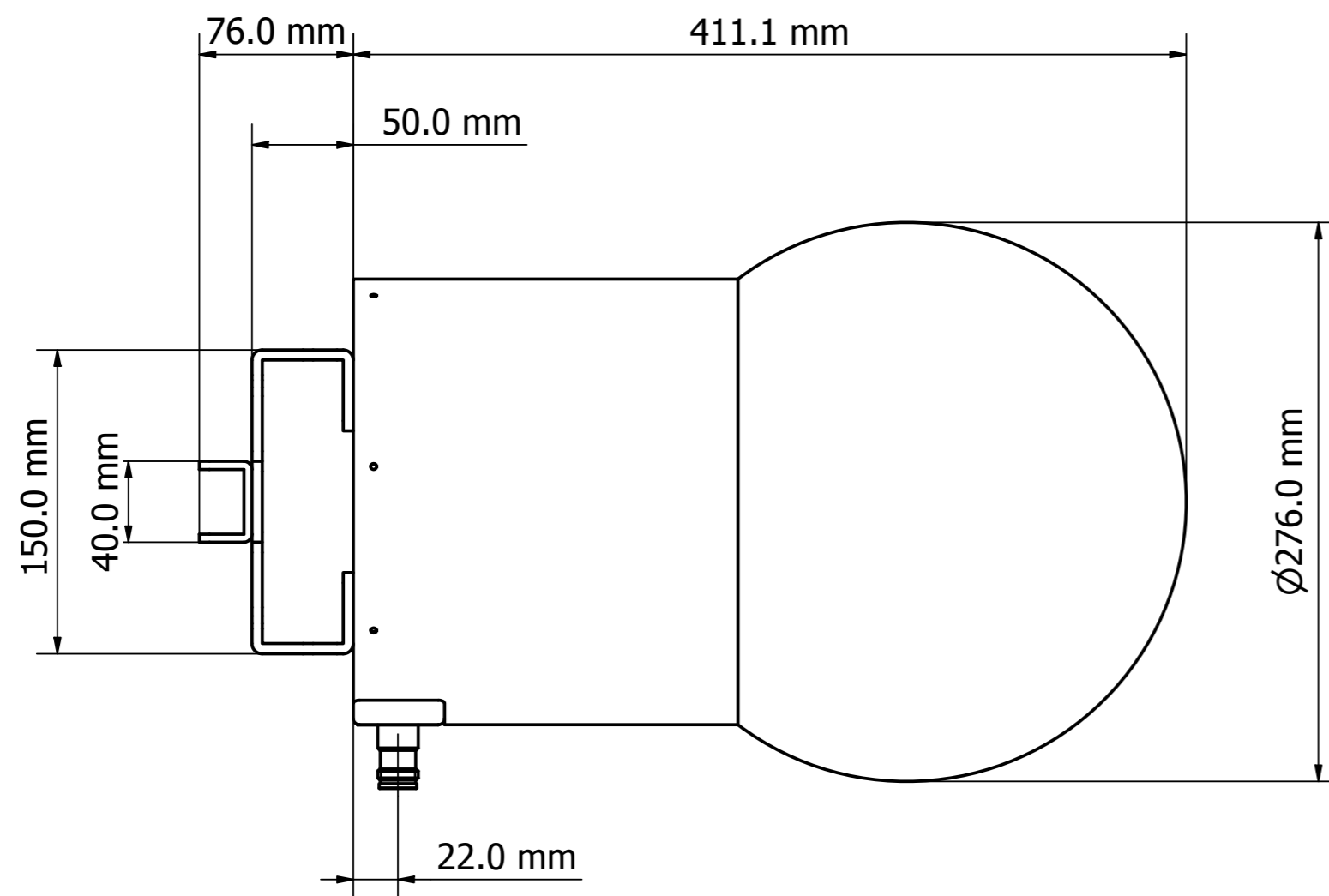
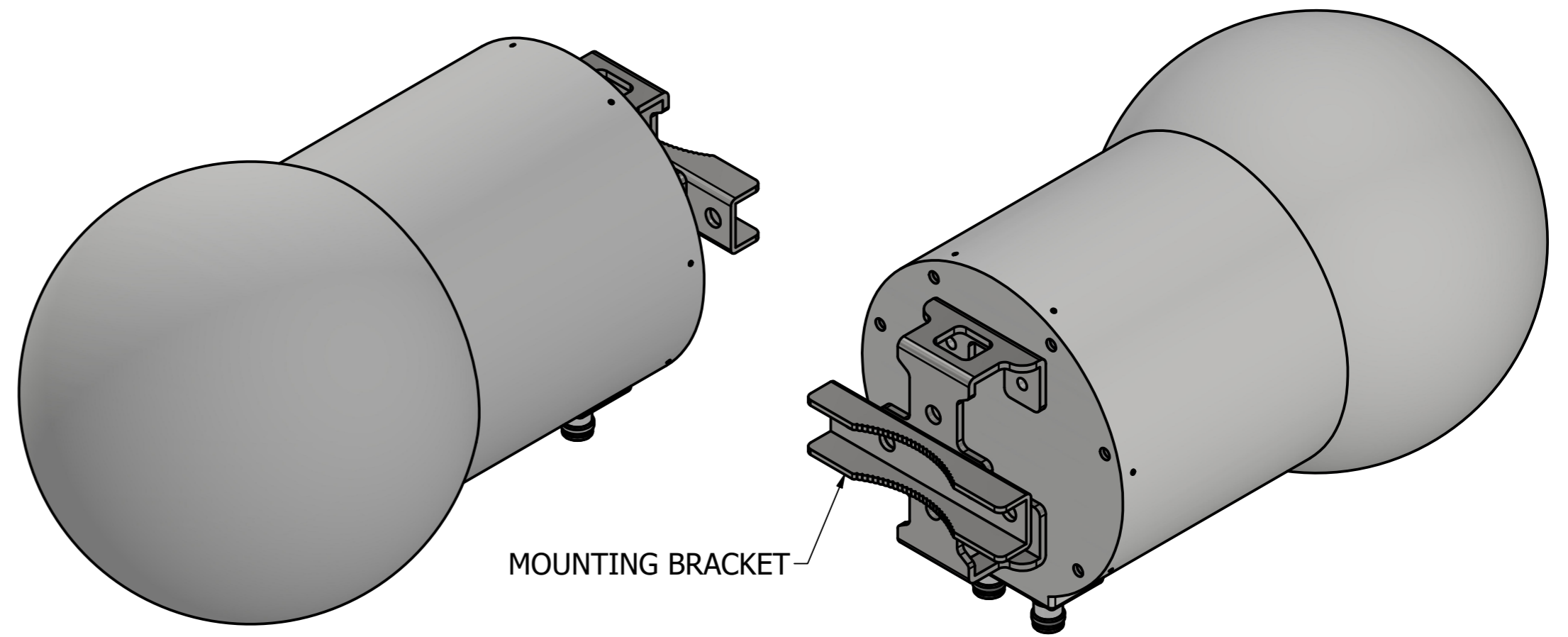
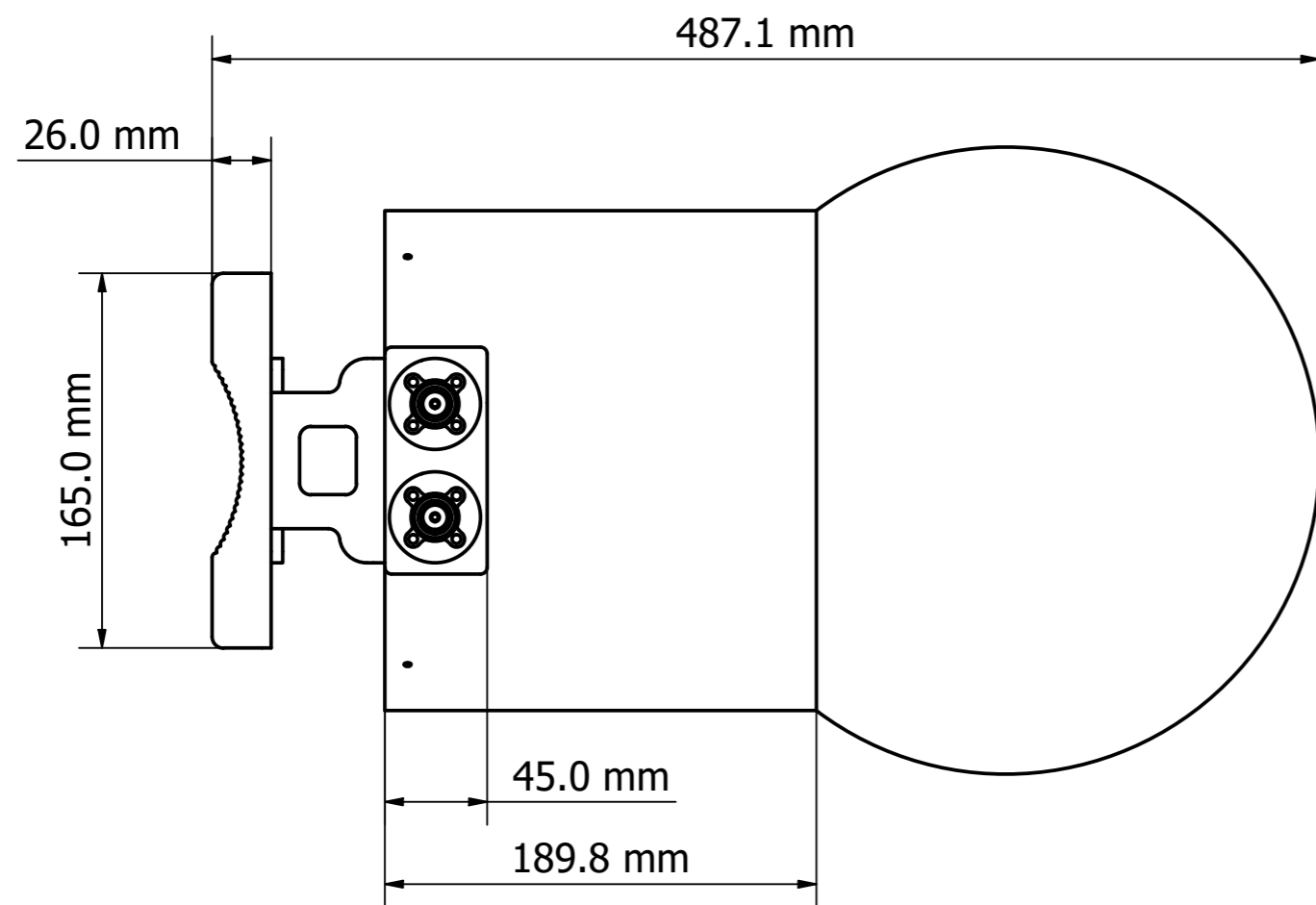


Designed by PAVEL	Drawing by LAWRENCE	Date 16/12/2021	Approved by PAVEL	Date 18/1/2022	Quantity	Material
MATSING LENS TECHNOLOGY ENABLED						MS-SB17-F
MS-SB17-F (mm)					Revision 1.0	Sheet 1 / 2



Designed by	Drawing by	Date	Approved by	Date	Quantity	Material
PAVEL	LAWRENCE	16/12/2021	PAVEL	18/1/2022		
MATSING						MS-SB17-F
LENS TECHNOLOGY ENABLED						MS-SB17-F (mm)
					Revision	Sheet
					1.0	2 / 2