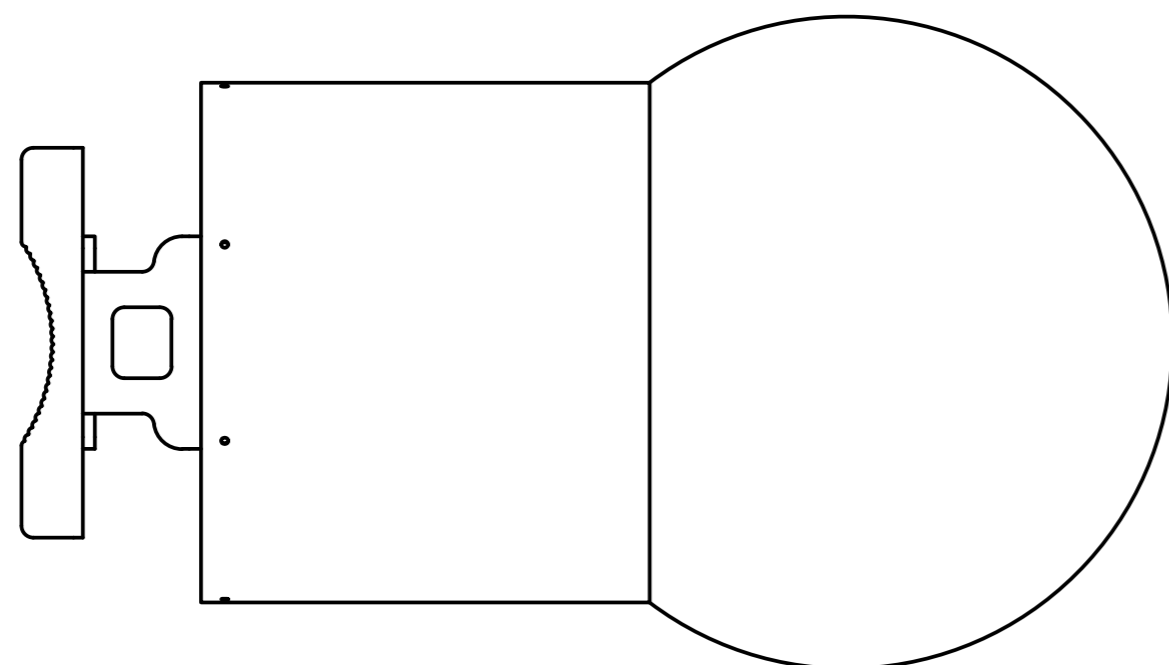
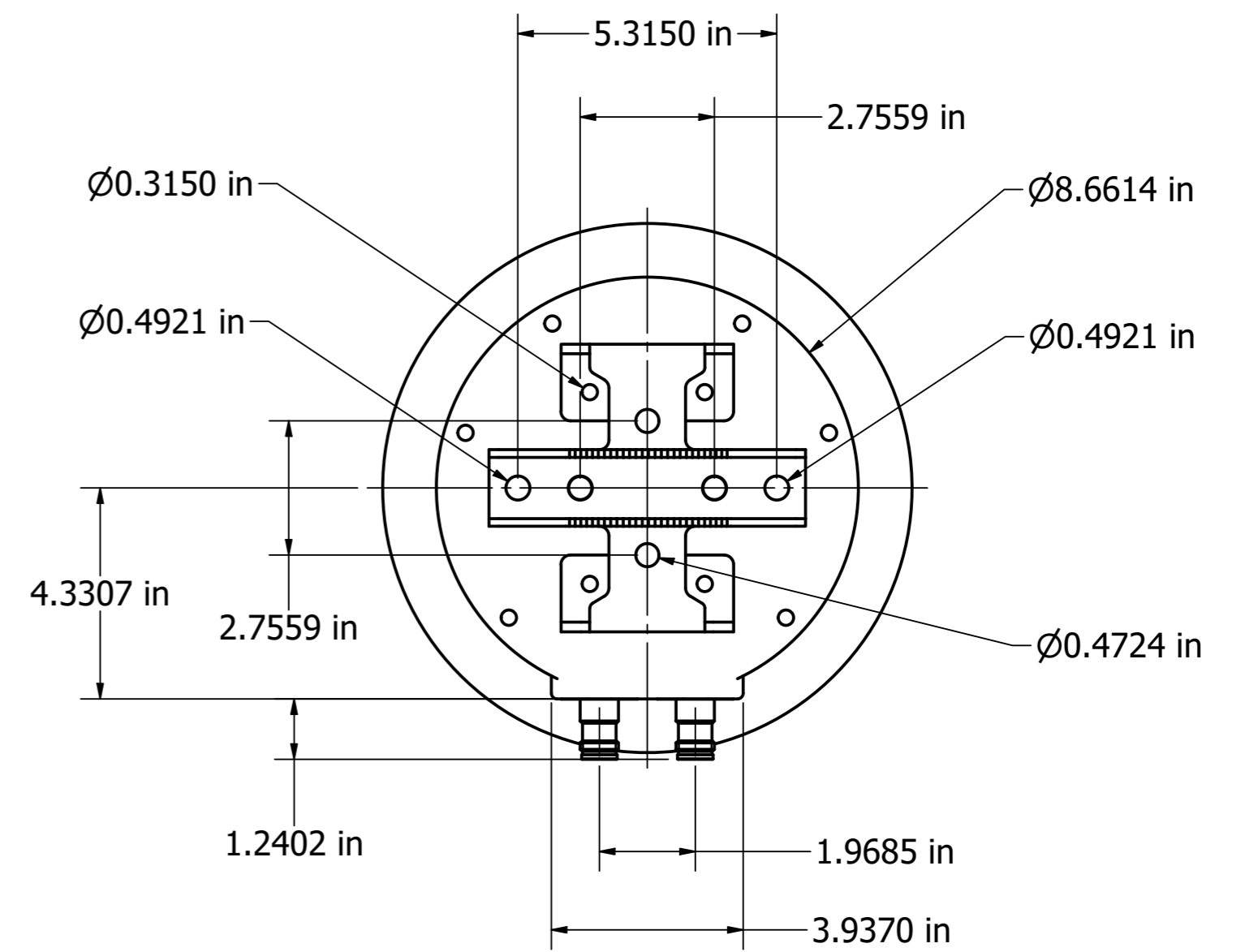
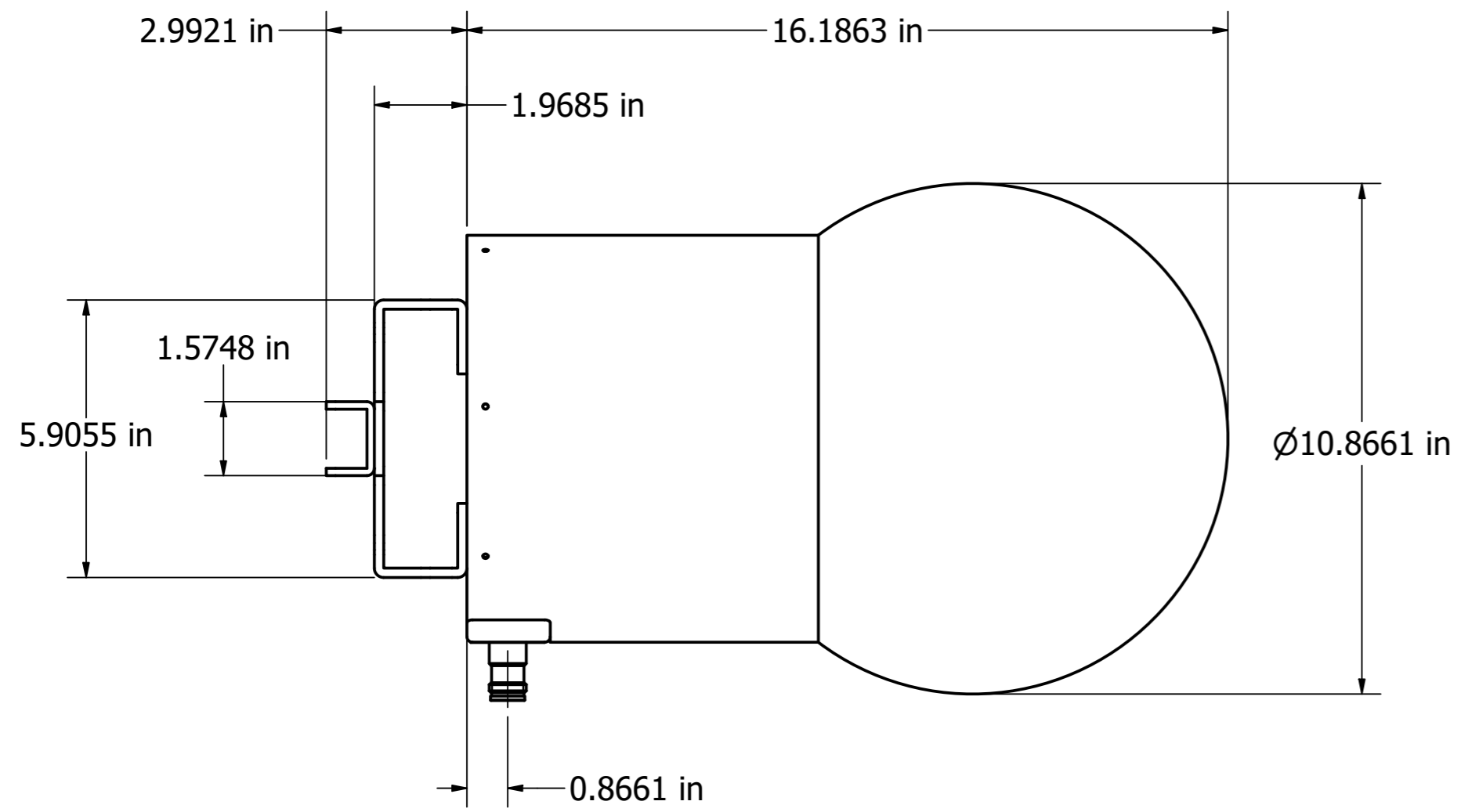
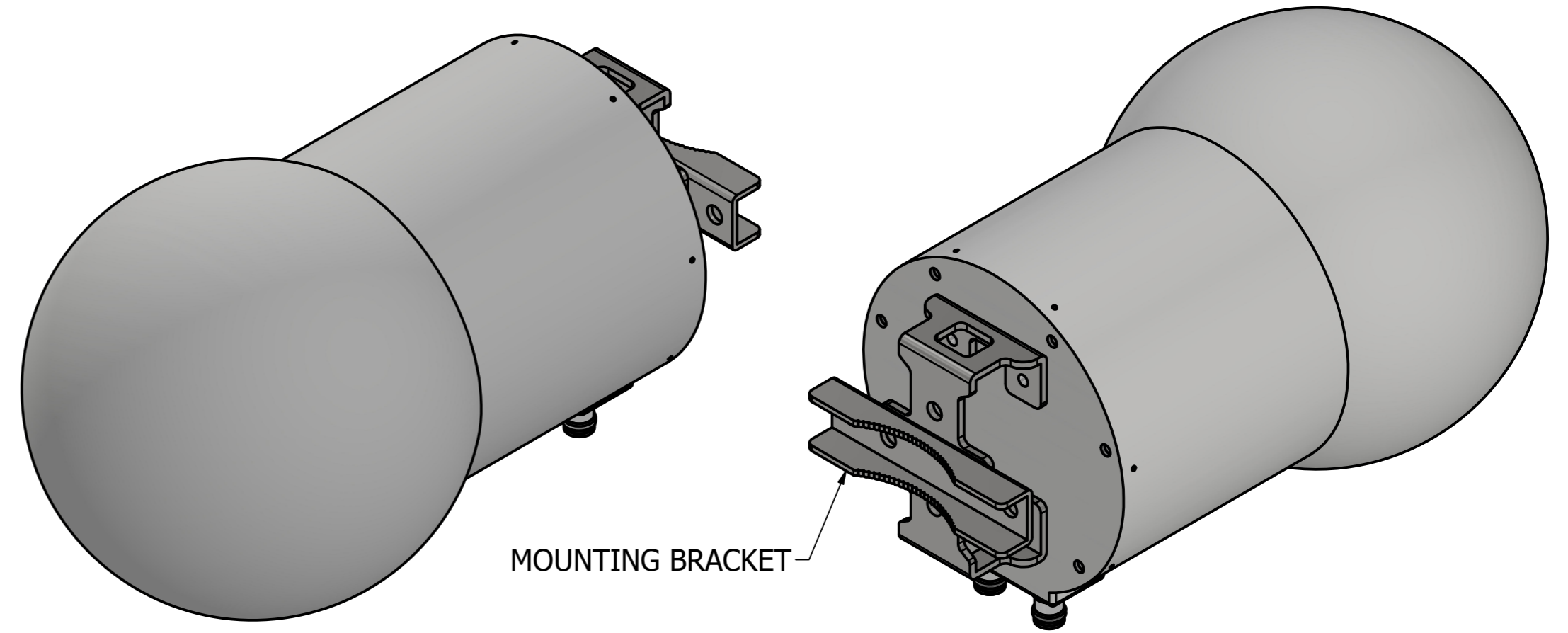
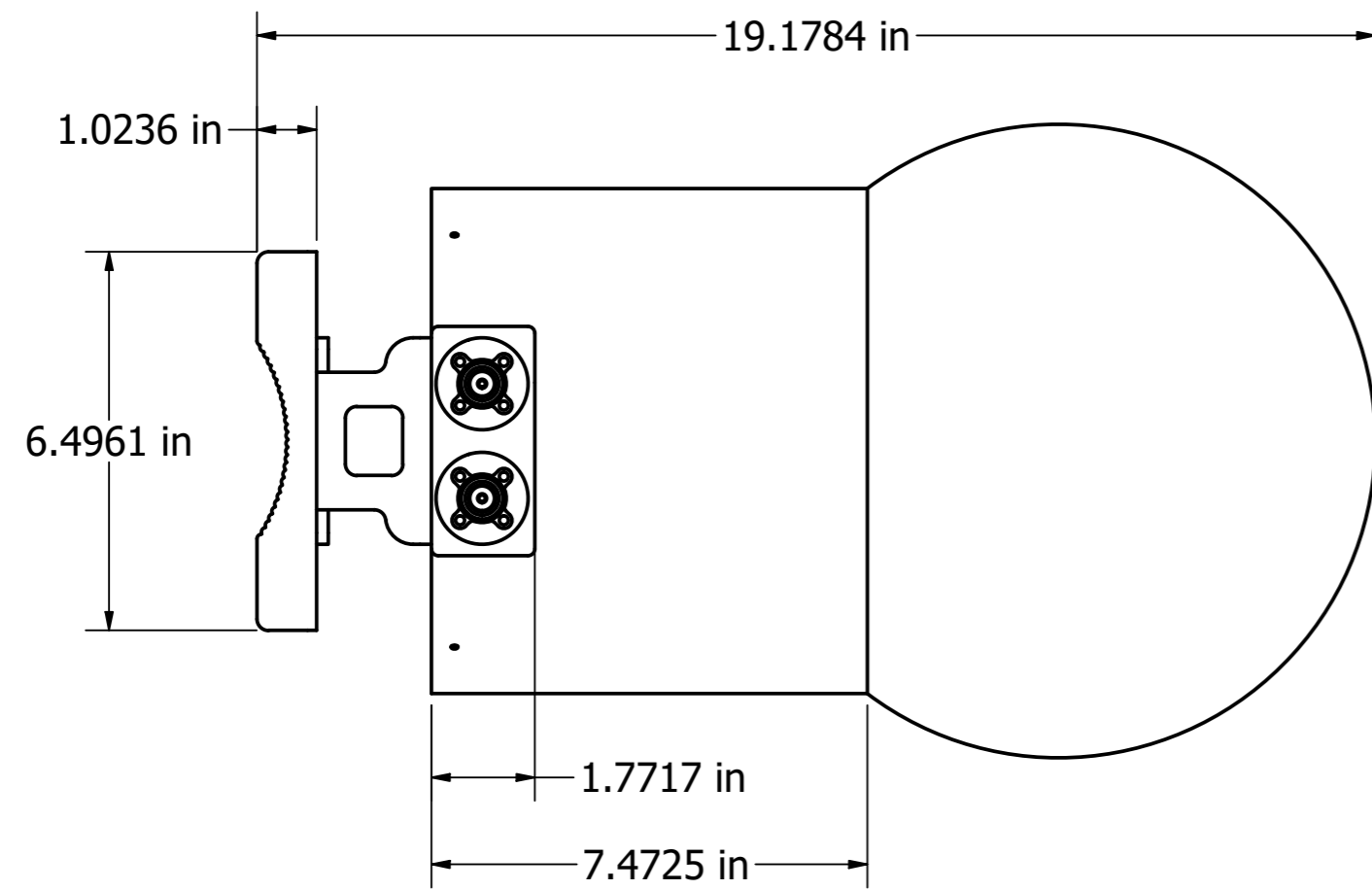


Designed by	Drawing by	Date	Approved by	Date	Quantity	Material	
PAVEL	LAWRENCE	16/12/2021	PAVEL	18/1/2022			
<b>MATSING</b> LENS TECHNOLOGY ENABLED						MS-SB17-F	
MS-SB17-F (in)						Revision 1.0	Sheet 1 / 2



Designed by PAVEL	Drawing by LAWRENCE	Date 16/12/2021	Approved by PAVEL	Date 18/1/2022	Quantity	Material
<b>MATSING</b> LENS TECHNOLOGY ENABLED						MS-SB17-F
MS-SB17-F (in)					Revision 1.0	Sheet 2 / 2