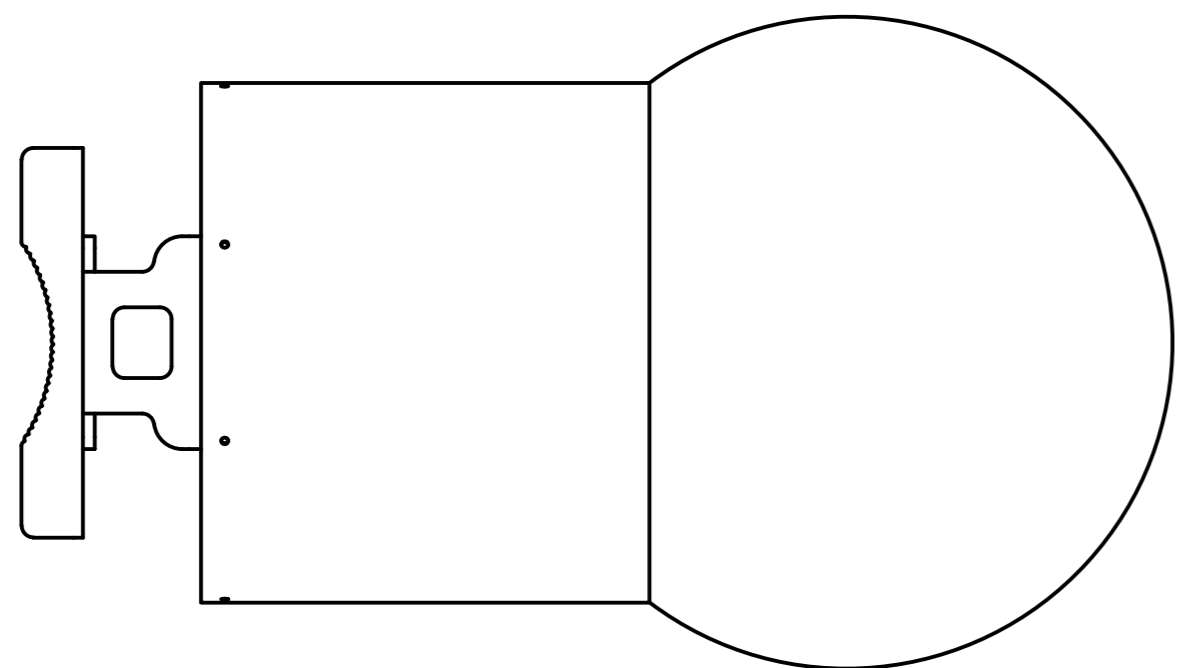
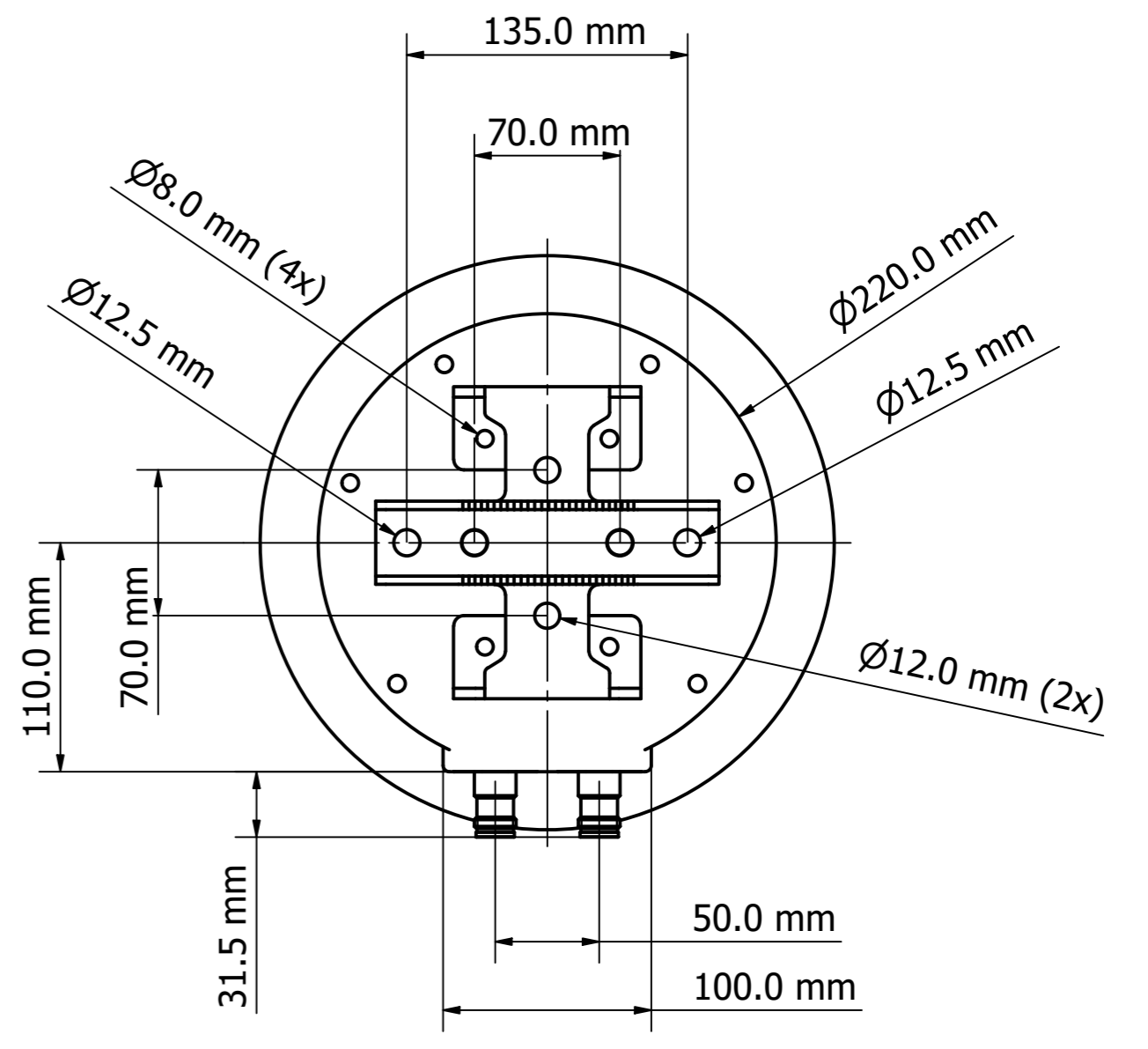
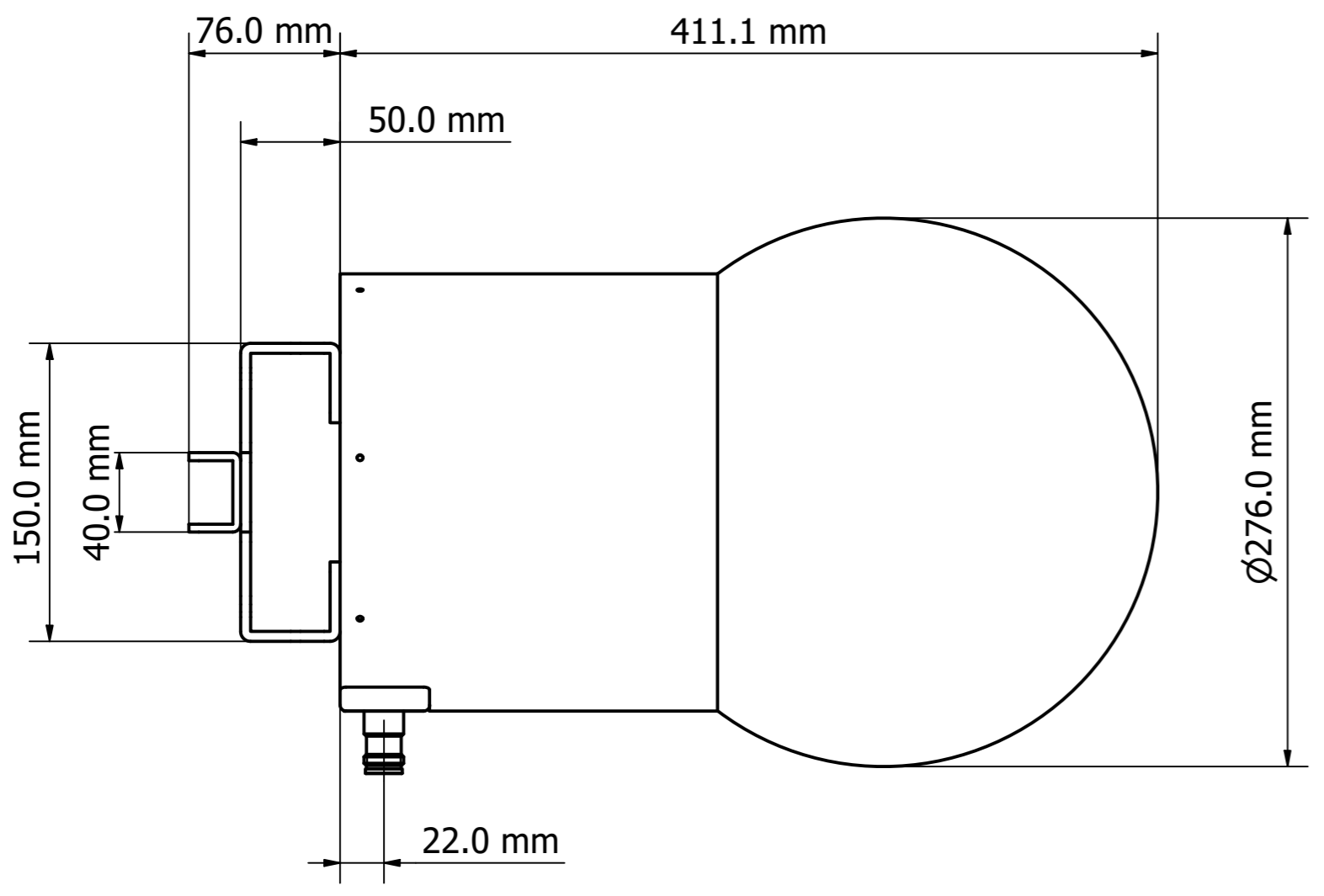
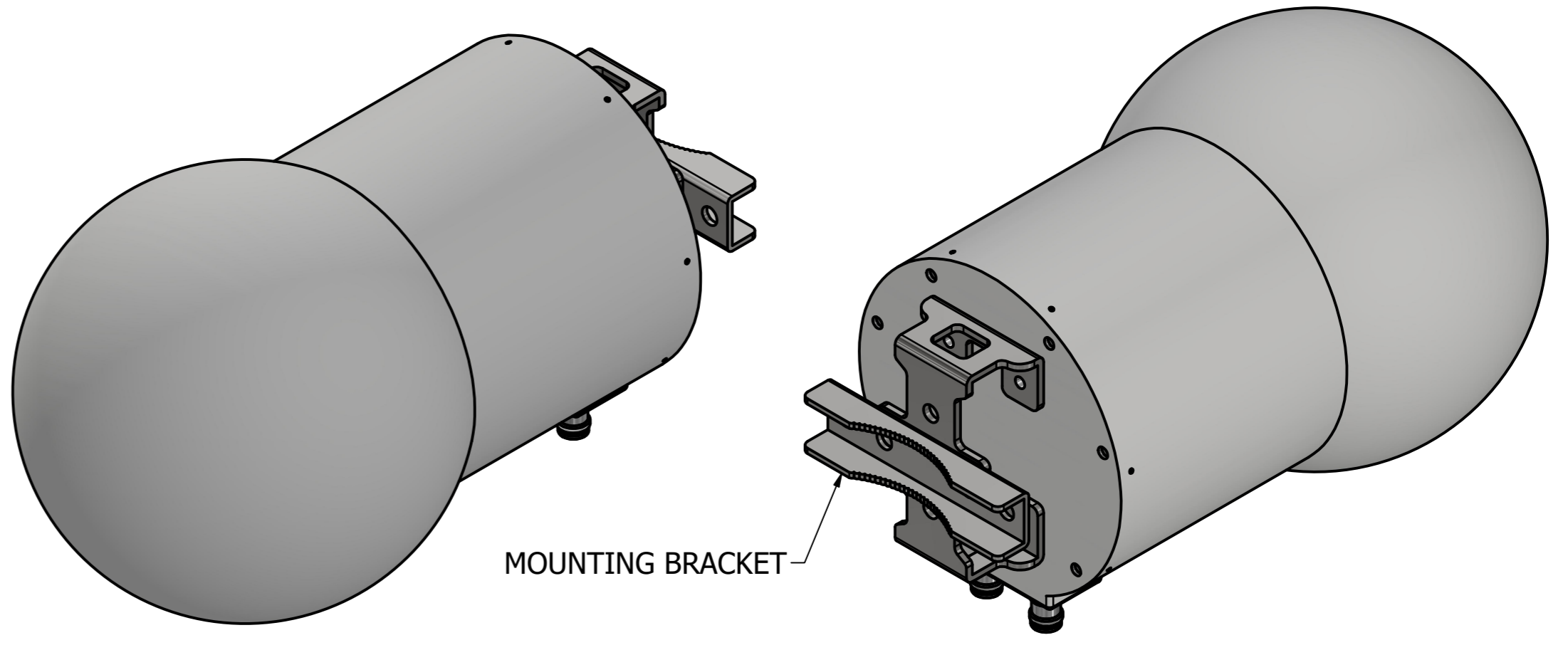
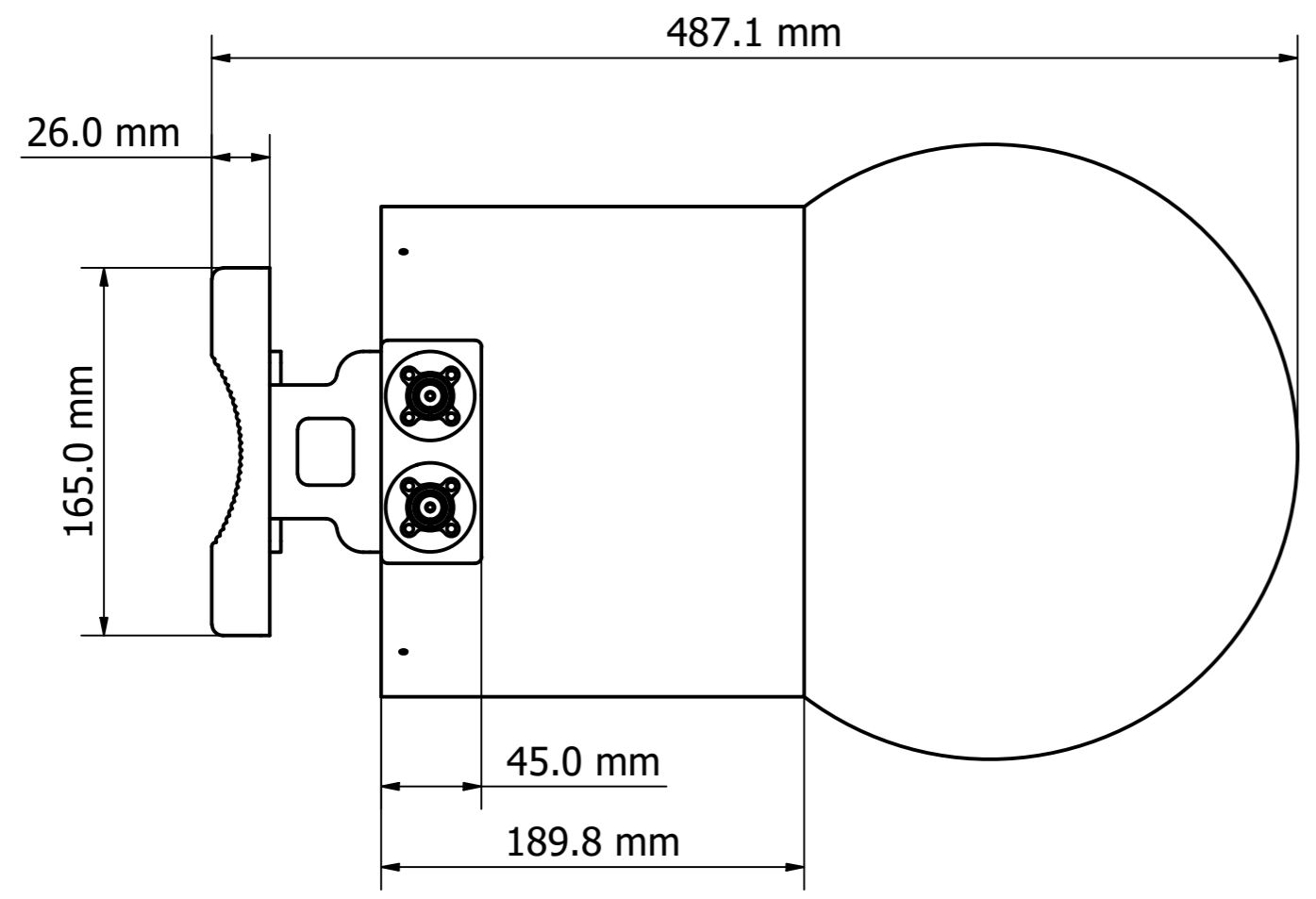


Designed by PAVEL	Drawing by LAWRENCE	Date 21/6/2023	Approved by PAVEL	Date 21/6/2023	Quantity	Material
MATSING LENS TECHNOLOGY ENABLED						MS-SB17-C
MS-SB17-C (mm)					Revision 1.0	Sheet 1 / 2



Designed by PAVEL	Drawing by LAWRENCE	Date 21/6/2023	Approved by PAVEL	Date 21/6/2023	Quantity	Material
MATSING LENS TECHNOLOGY ENABLED						MS-SB17-C
MS-SB17-C (mm)					Revision 1.0	Sheet 2 / 2