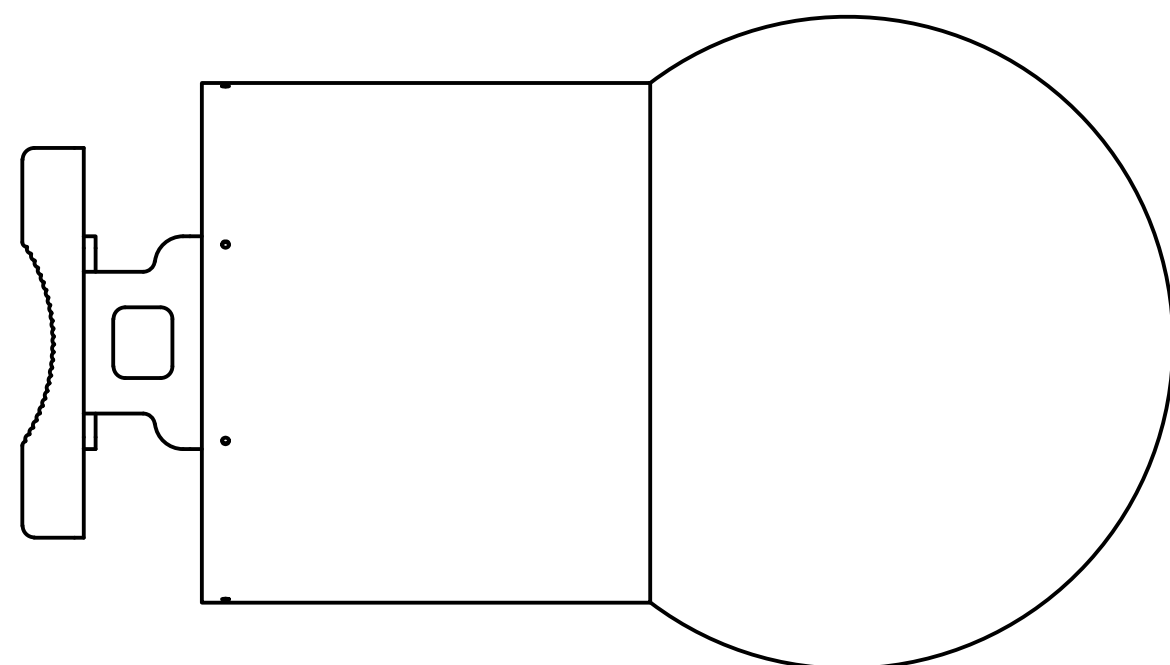
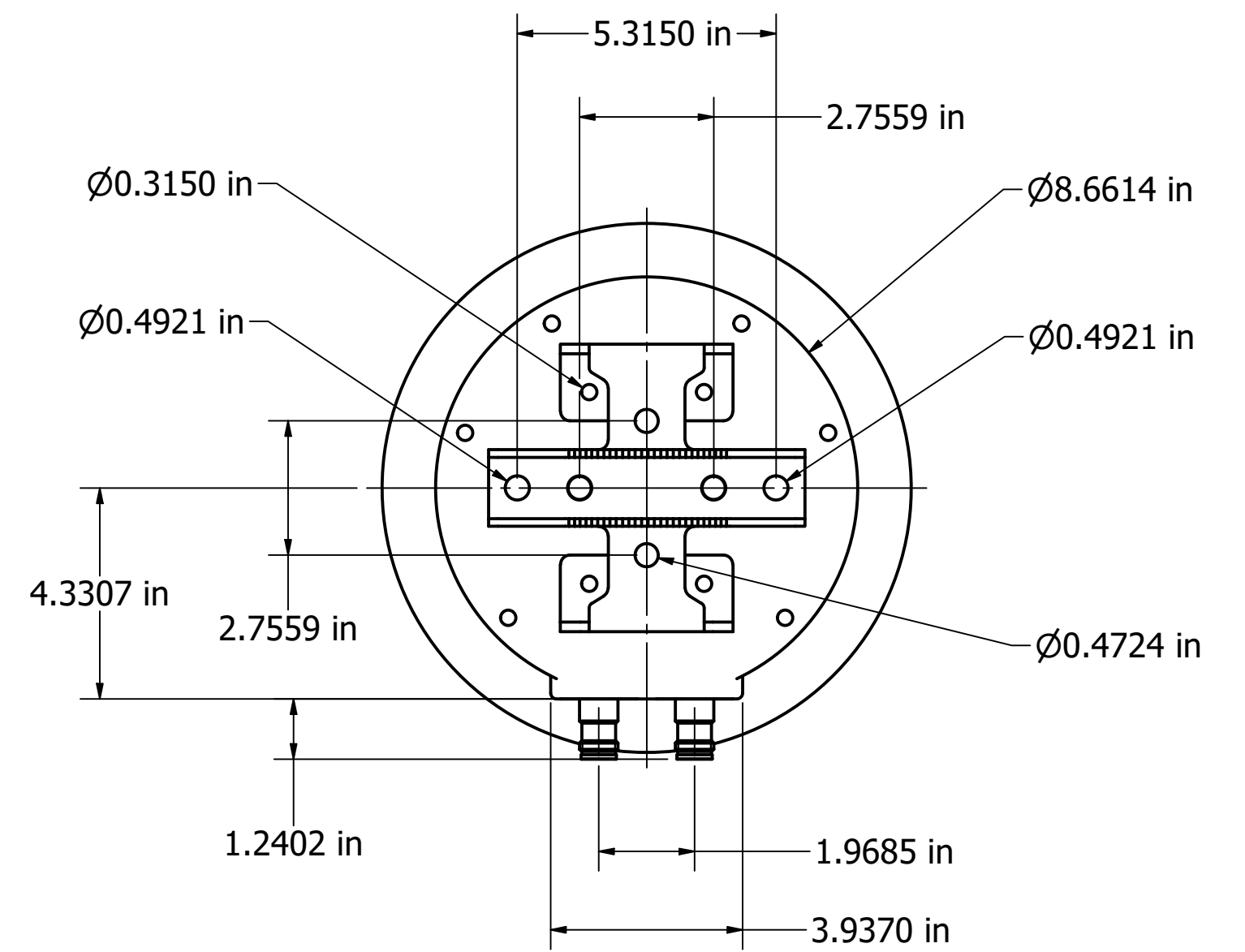
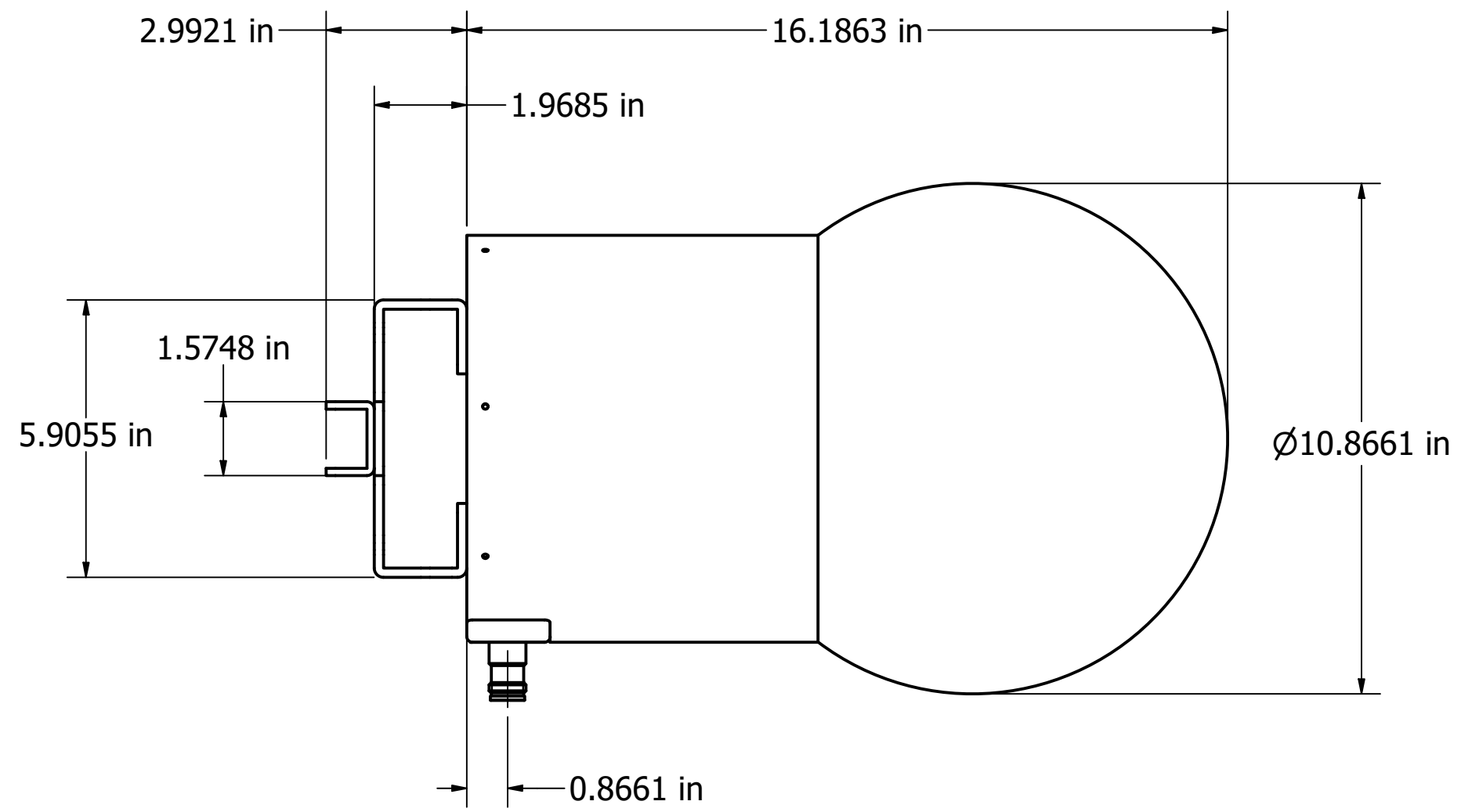
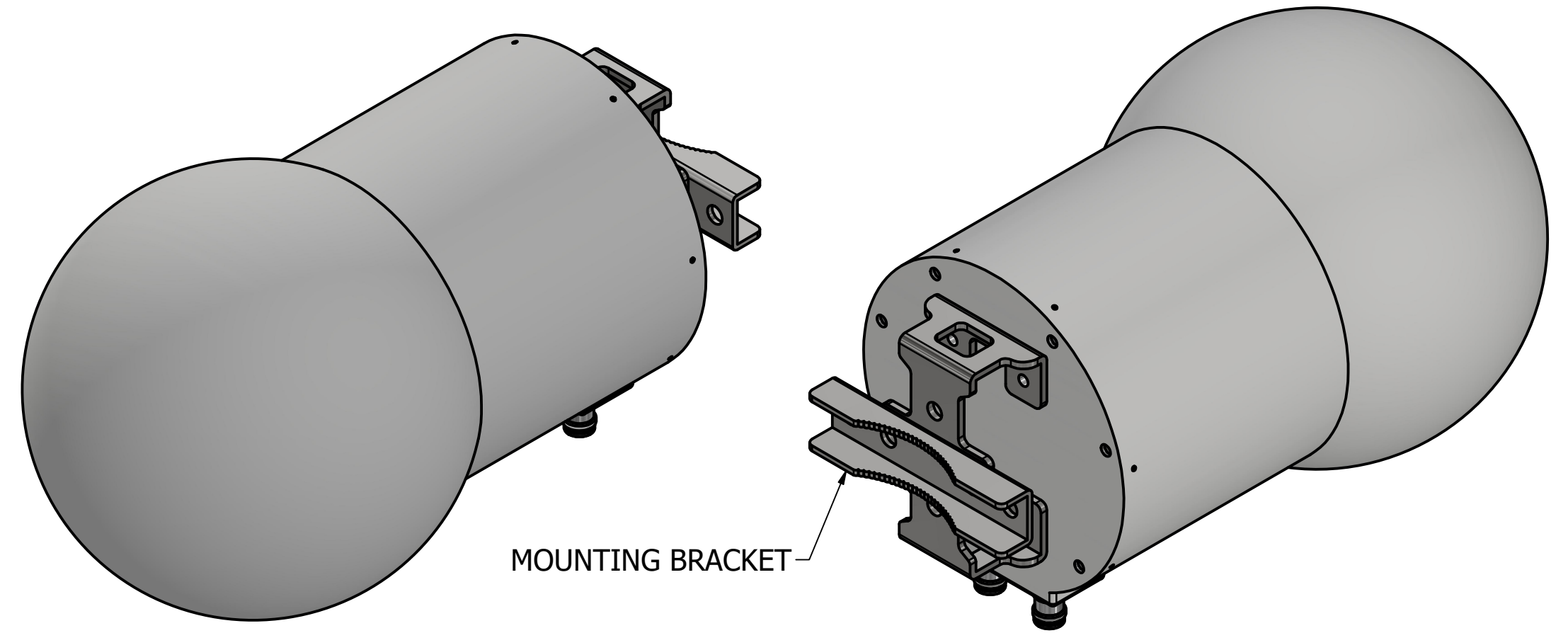
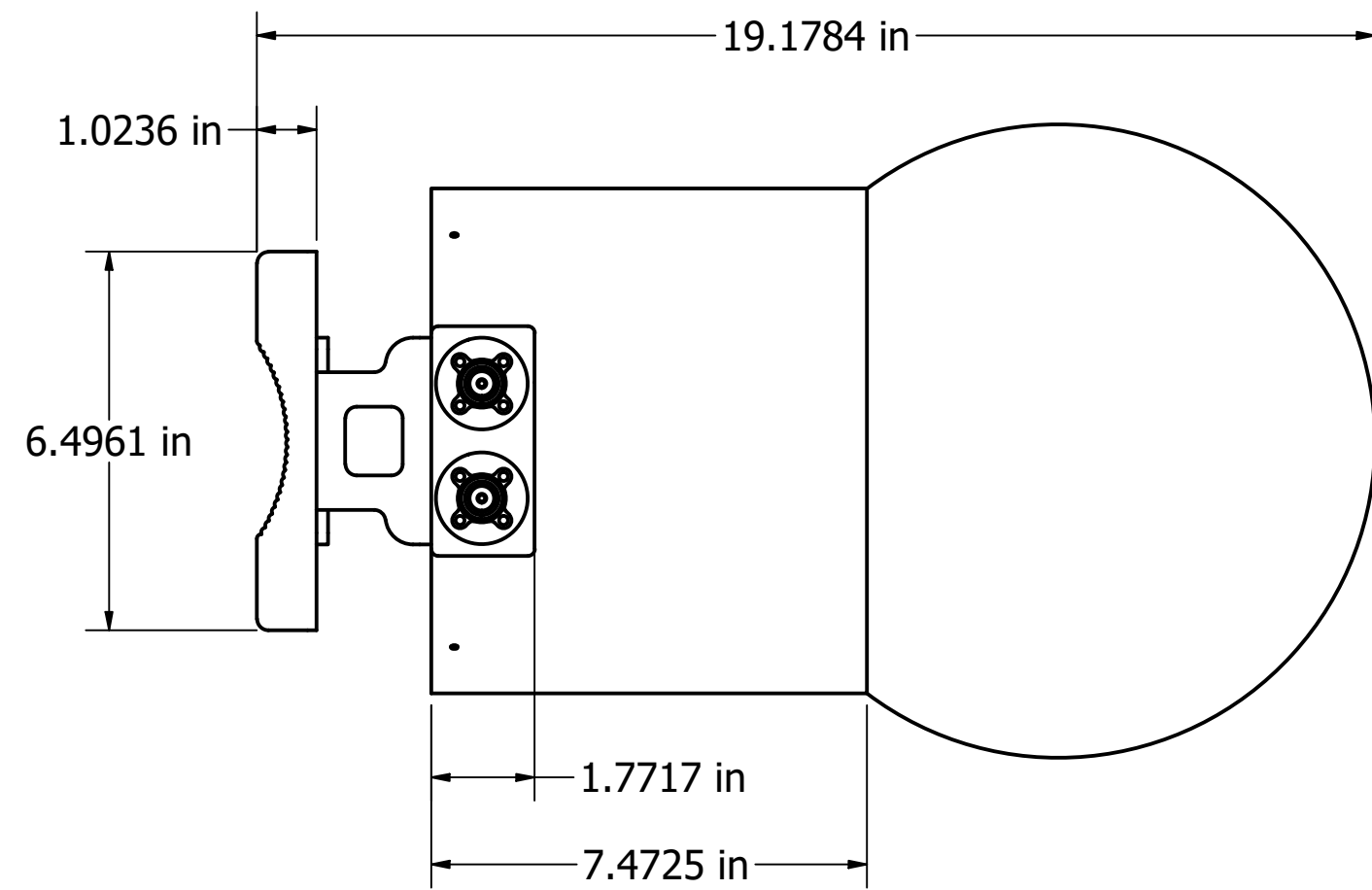


Designed by	Drawing by	Date	Approved by	Date	Quantity	Material
PAVEL	LAWRENCE	21/6/2023	PAVEL	21/6/2023		
MATSING LENS TECHNOLOGY ENABLED						MS-SB17-C
						MS-SB17-C (in)
						Revision 1.0
						Sheet 1 / 2



Designed by PAVEL	Drawing by LAWRENCE	Date 21/6/2023	Approved by PAVEL	Date 21/6/2023	Quantity	Material
MATSING LENS TECHNOLOGY ENABLED						MS-SB17-C
MS-SB17-C (in)					Revision 1.0	Sheet 2 / 2