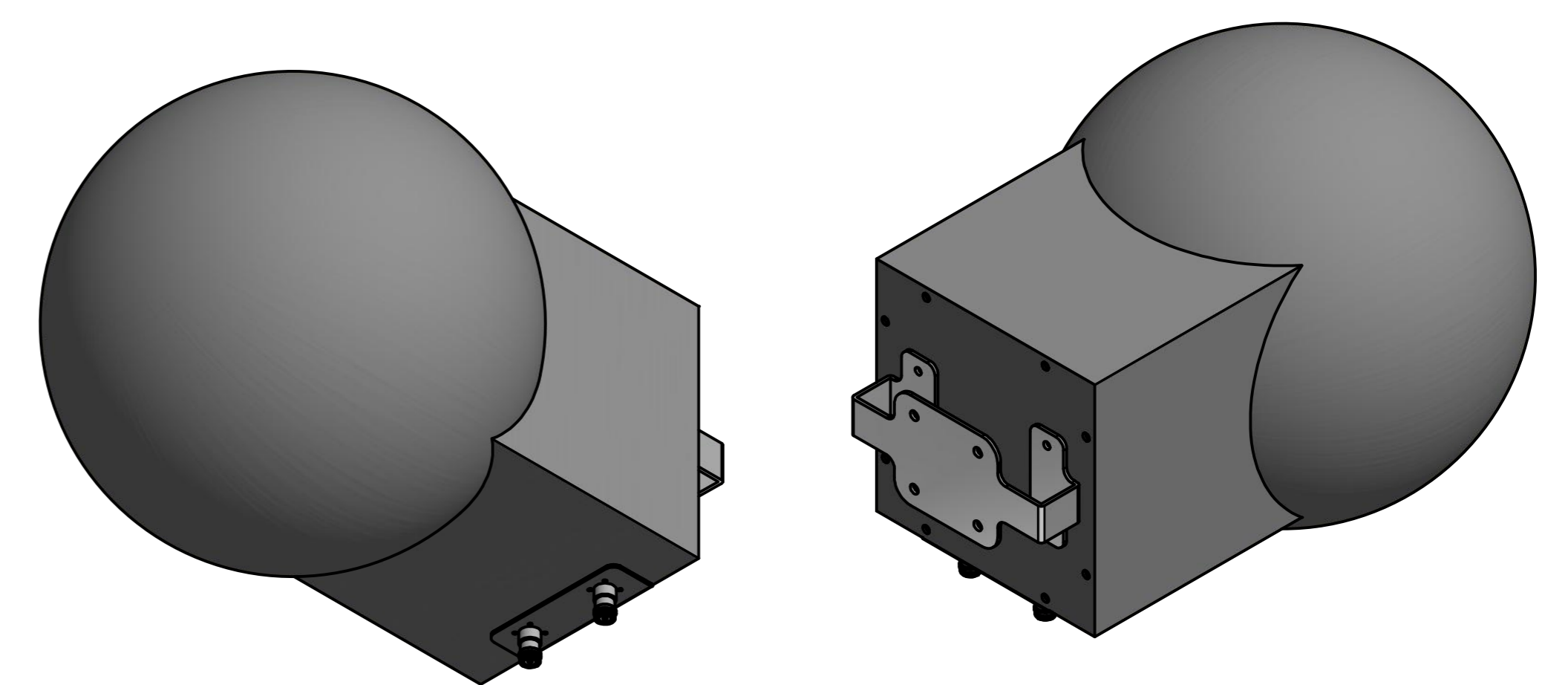
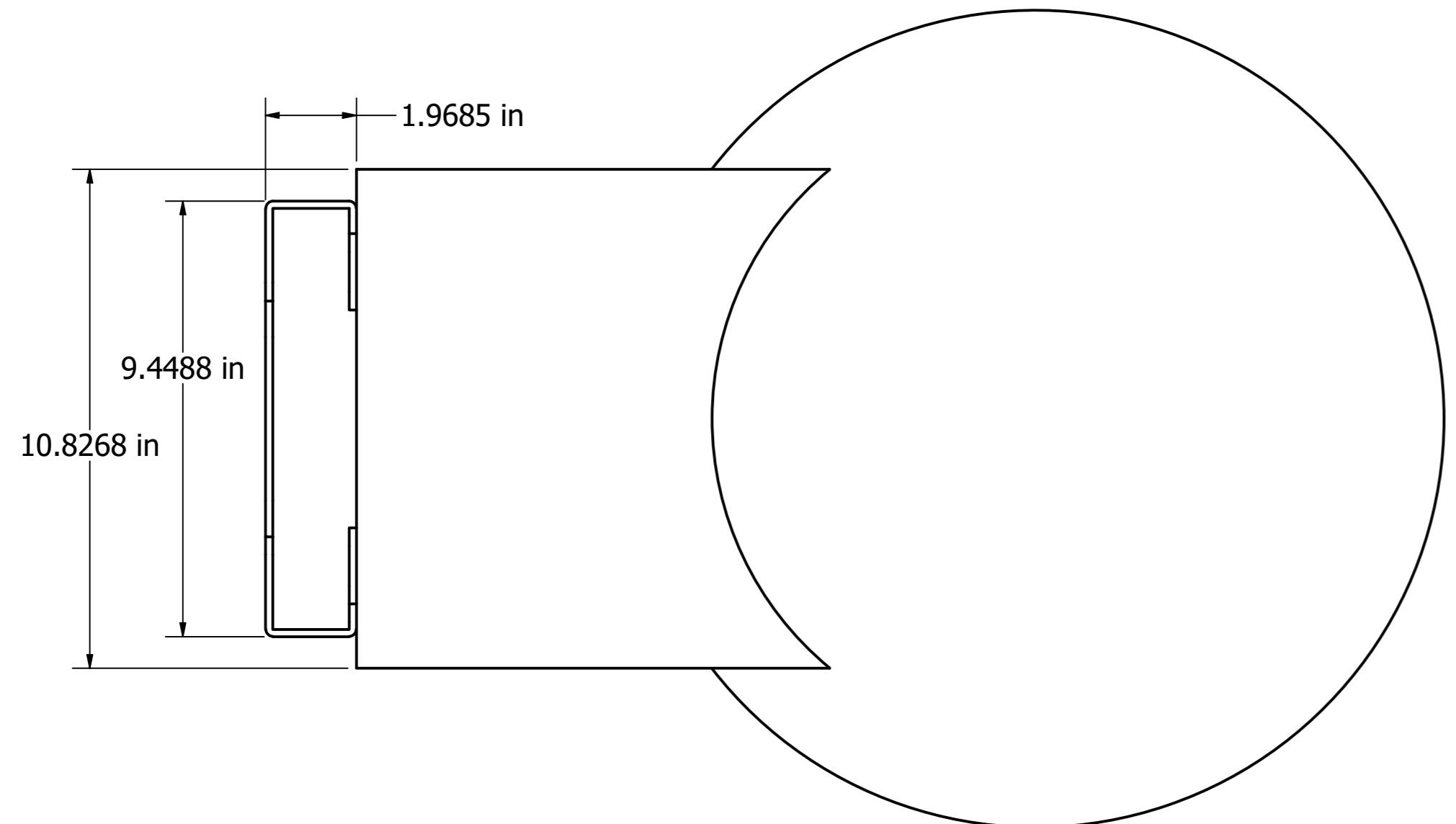
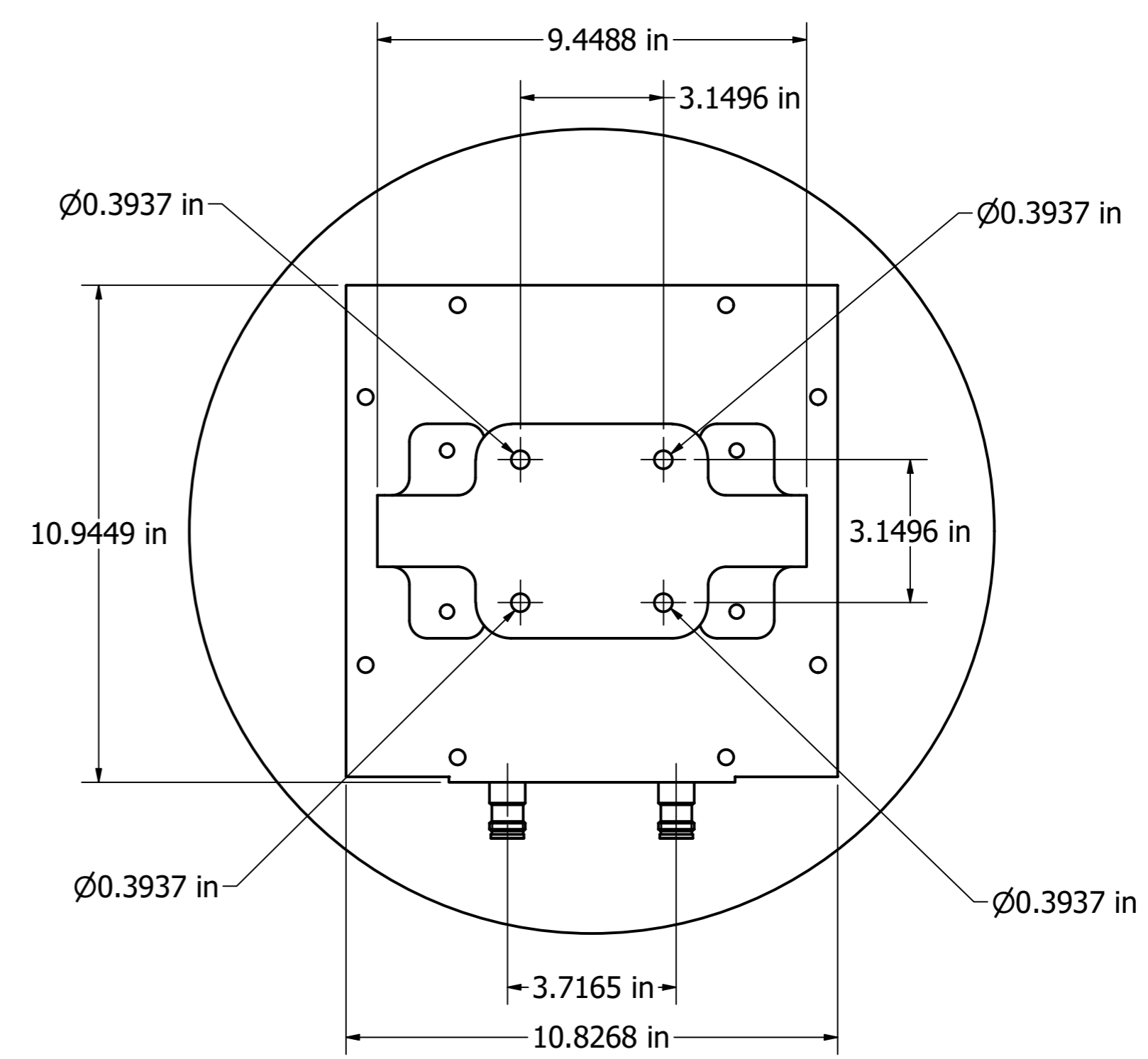
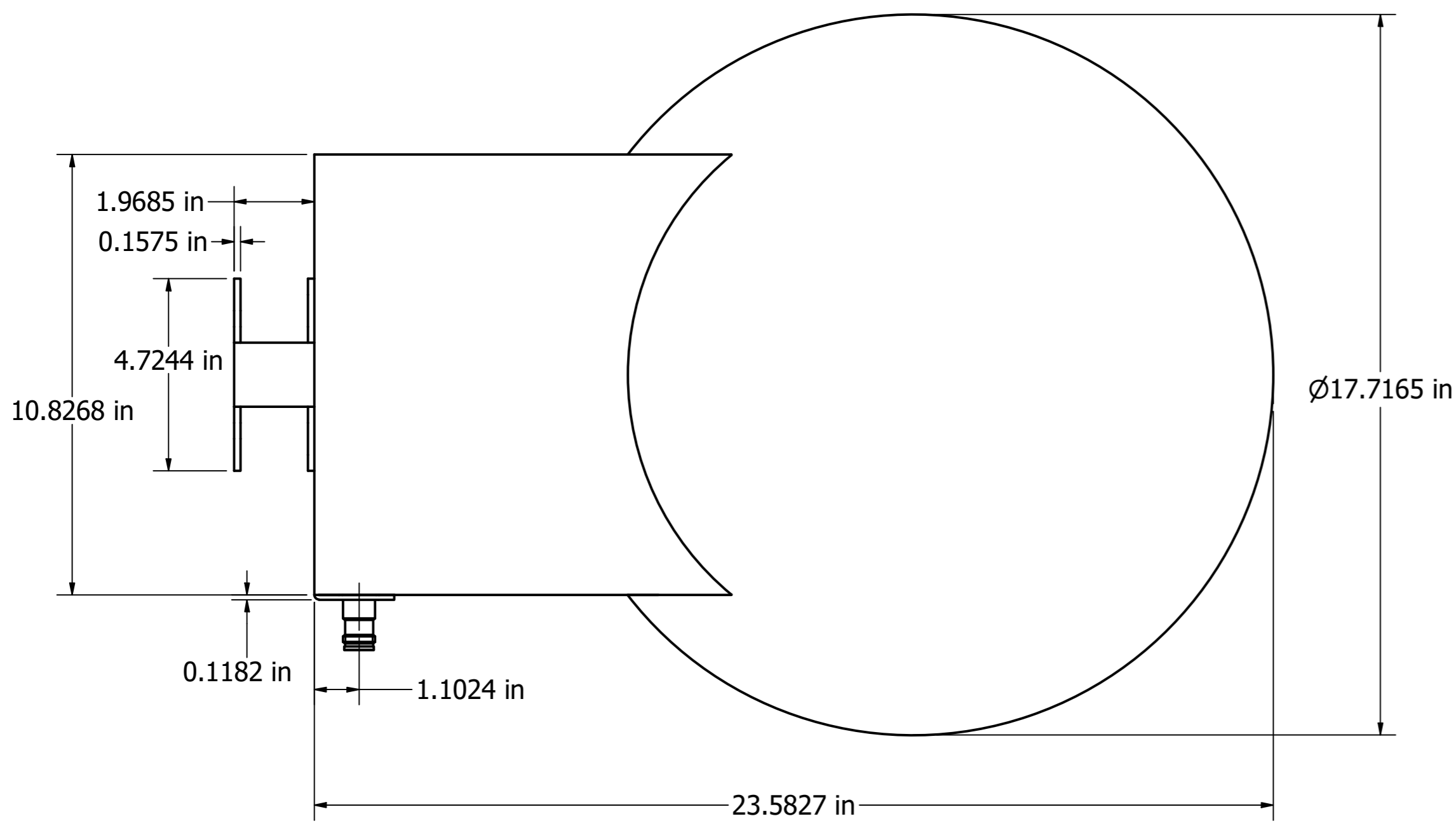


1 2 3 4 5 6 7 8

A B C D E F



Designed by ALEXANDRE	Drawing by LAWRENCE	Date 27/11/2019	Approved by PAVEL	Date 27/11/2019	Quantity	Material
<b>MATSING</b> LENS TECHNOLOGY ENABLED						MS-SB-L
MS-SB-L Rev A (in)					Revision A	Sheet 1 / 1

1 2 3 4 5 6 7 8

F