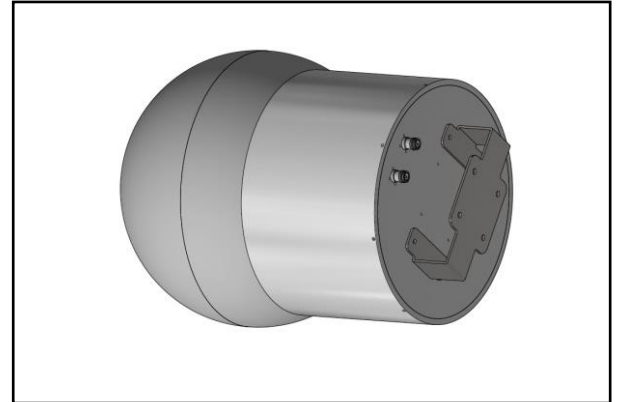


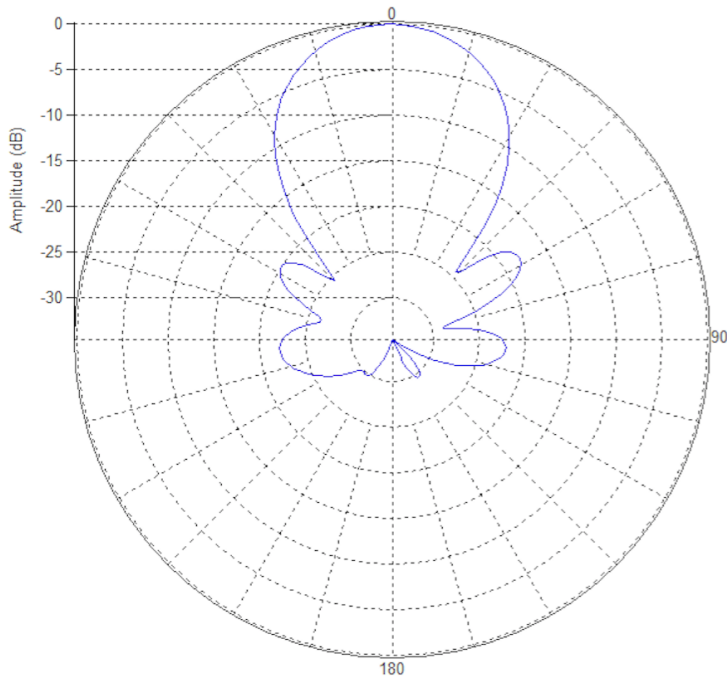
## MS-SB-L

**Lens Technology Enabled™ Base-Station Antenna perfect stadium applications, utilizes a patented spherical lens design with 1 isolated low-frequency (698-960MHz) cross-polarized beam. Beam has 2 cross-polarized ports for supporting 2X2 MIMO and low side-lobes.**

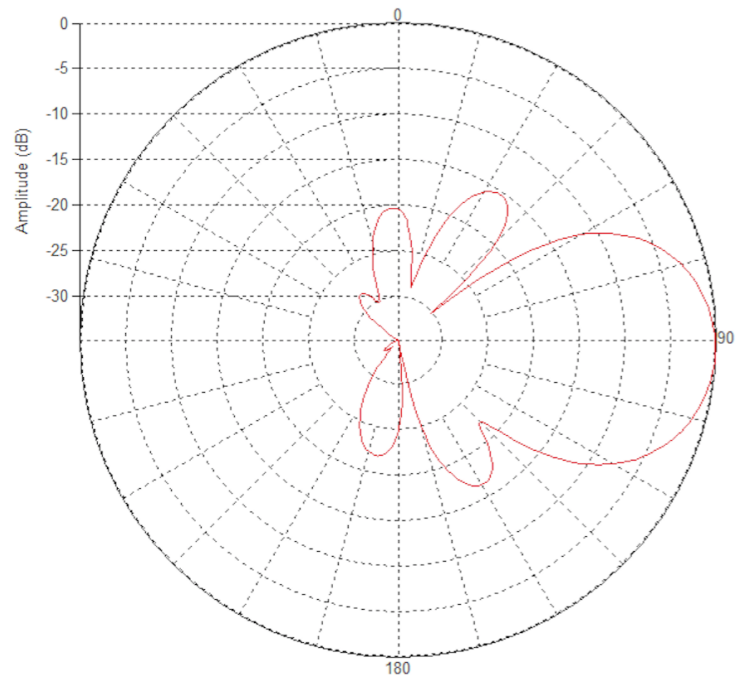


### PATTERN RESULTS:

**Low-Band Horizontal Pattern (800MHz)**



**Low-Band Vertical Pattern (800MHz)**



### TECHNICAL SPECIFICATIONS

Frequency	698-960 MHz
Gain	14.2dBi
VSWR	<1.5:1
Polarization	Dual Slant ±45°
Horizontal Coverage	60°
Horizontal Beamwidth (10dB level)	60°
Horizontal Beamwidth (3dB level)	34°
Vertical Beamwidth (10dB level)	60°
Vertical Beamwidth (3dB level)	34°
Total Number of Beams	1
Number of Ports per Beam	2
Number of Ports Total	2
First Sidelobe level	<-18dB
Front to Back Ratio	>28dB
Isolation Port to Port - Polarization	>28dB
Power Rating	250W per port
Intermodulation	<-153dBc
Impedance	50 ohm
Connector Quantity and Type	2 x 4.3-10 female

### MECHANICAL DATA

Dimensions (H x W x D)	45 x 45 x 66cm 17 x 17 x 25 inch
Antenna Weight	6kg 13 lbs
Radome Material	Polycarbonate
Mounting	TBD

### ENVIRONMENTAL RATINGS

Humidity	95% RH @ +30°C
Temperature	-40°C to +70°C
Wind load (Frontal)	90.2N @ 150km/hr 20.3lbf @ 150km/hr
Wind load @ 160km/hr	N / lbf Frontal 90.4 / 20.3 Lateral 233 / 52.3

### CONNECTOR LAYOUT:

