

Wind Load

Antenna MS-SB-H

Antenna Model Number

MS-SB-H

Velocity [km/h]

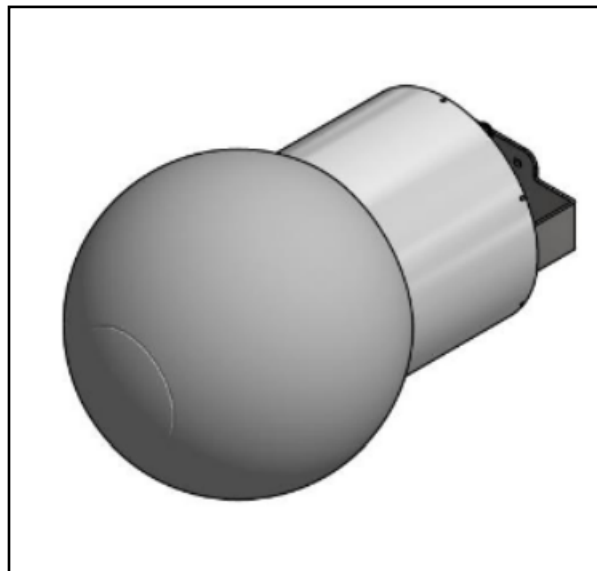
160

Dimensions: H x W x D [mm]

370 x 370 x 560

Spherical Lens Diameter [mm]

370



Results

	Frontal	Lateral
Antenna Drag Coefficient	0.47	0.63
Wind Load [N/lbf]	61.13 / 13.74	110.3 / 24.8