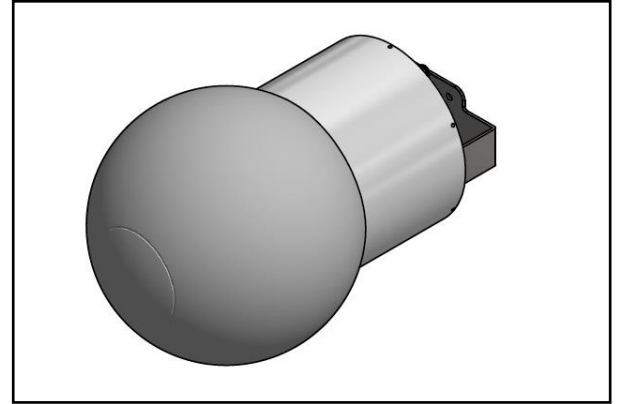


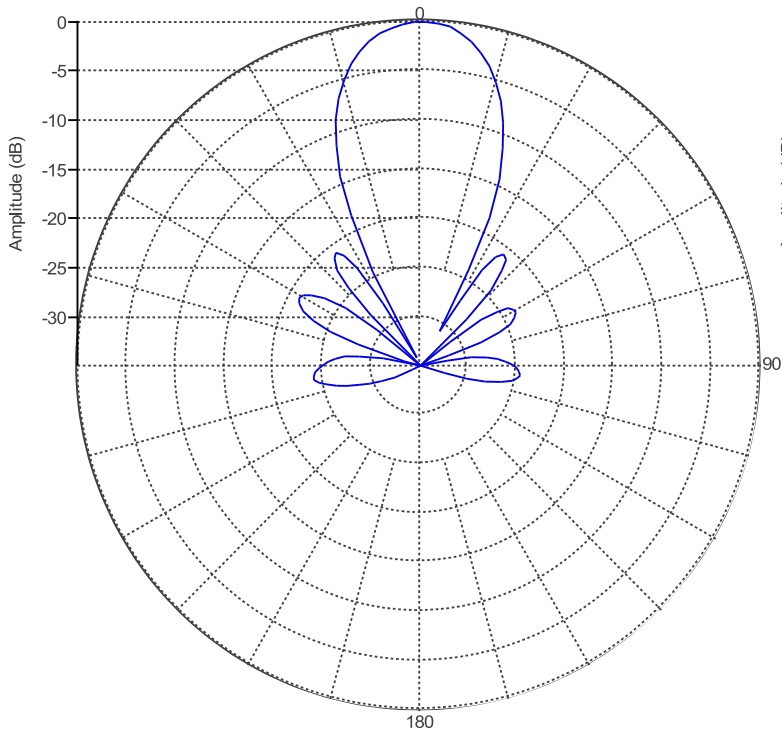
MS-SB-H

Lens Technology Enabled™ Base-Station Antenna perfect for stadium applications, utilizes a patented spherical lens design with 1 isolated high-frequency (1710-2690MHz) cross-polarized beam. Beam has 2 cross-polarized ports for supporting 2X2 MIMO and low side-lobes.

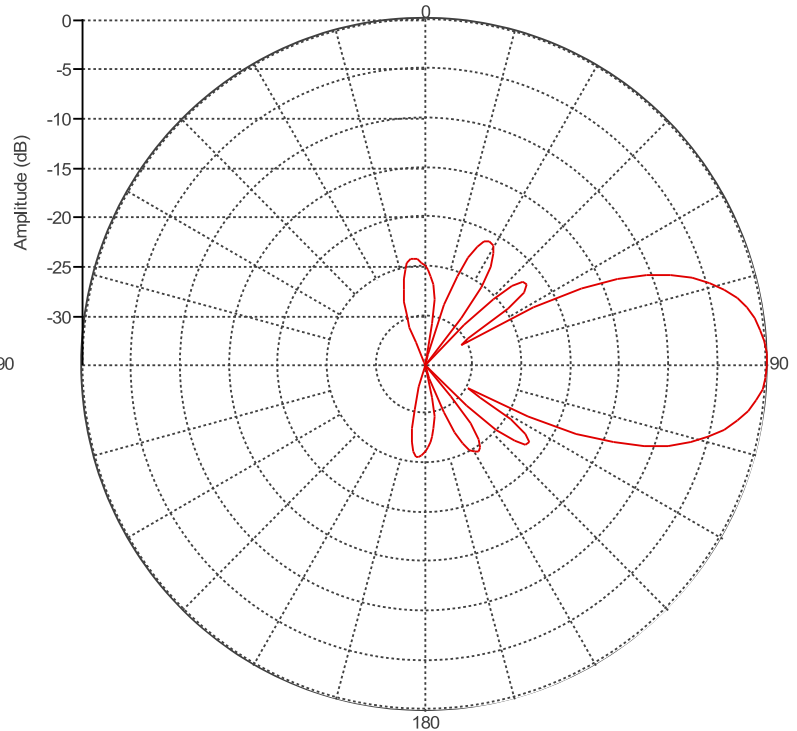


PATTERN RESULTS:

High-Band Horizontal Pattern (1.80GHz)



High-Band Vertical pattern (1.80GHz)



TECHNICAL SPECIFICATIONS

| | |
|---------------------------------------|-------------------|
| Frequency | 1710-2690 MHz |
| Gain | 17.5dBi |
| VSWR | <1.5:1 |
| Polarization | Dual Slant ±45° |
| Horizontal Coverage | 40° |
| Horizontal Beamwidth (10dB level) | 40° |
| Horizontal Beamwidth (3dB level) | 23° |
| Vertical Beamwidth (10dB level) | 40° |
| Vertical Beamwidth (3dB level) | 23° |
| Total Number of Beams | 1 |
| Number of Ports per Beam | 2 |
| First Sidelobe level | <-20dB |
| Front to Back Ratio | >28dB |
| Isolation Port to Port - Polarization | >28dB |
| Power Rating | 250W per port |
| Intermodulation | <-153dBc |
| Impedance | 50 ohm |
| Connector Quantity and Type | 2 x 4.3-10 female |

MECHANICAL DATA

| | |
|------------------------|--|
| Dimensions (H x W x D) | 37 x 37 x 56 cm 14.5 x 14.5 x 22 inch |
| Antenna Weight | 4kg 9 lbs |
| Radome Material | Polycarbonate |
| Mounting | TBD |

ENVIRONMENTAL RATINGS

| | |
|-----------------------|--|
| Humidity | 95% RH @ +30°C |
| Temperature | -40°C to +70°C |
| Wind load @ 160 km/hr | N / lbf Frontal 61.13 / 13.74 Lateral 110.3 / 24.8 |

CONNECTOR LAYOUT:

