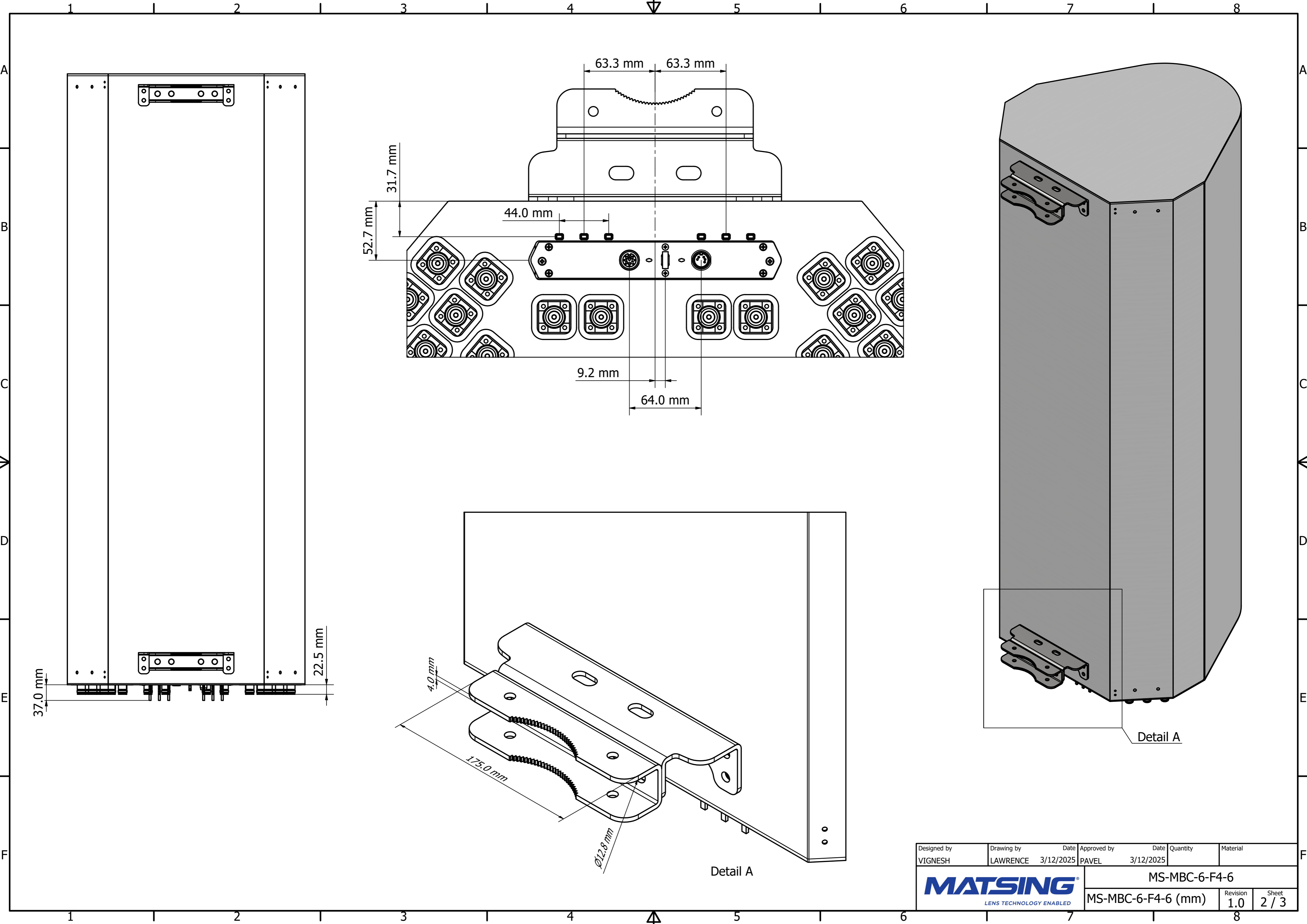
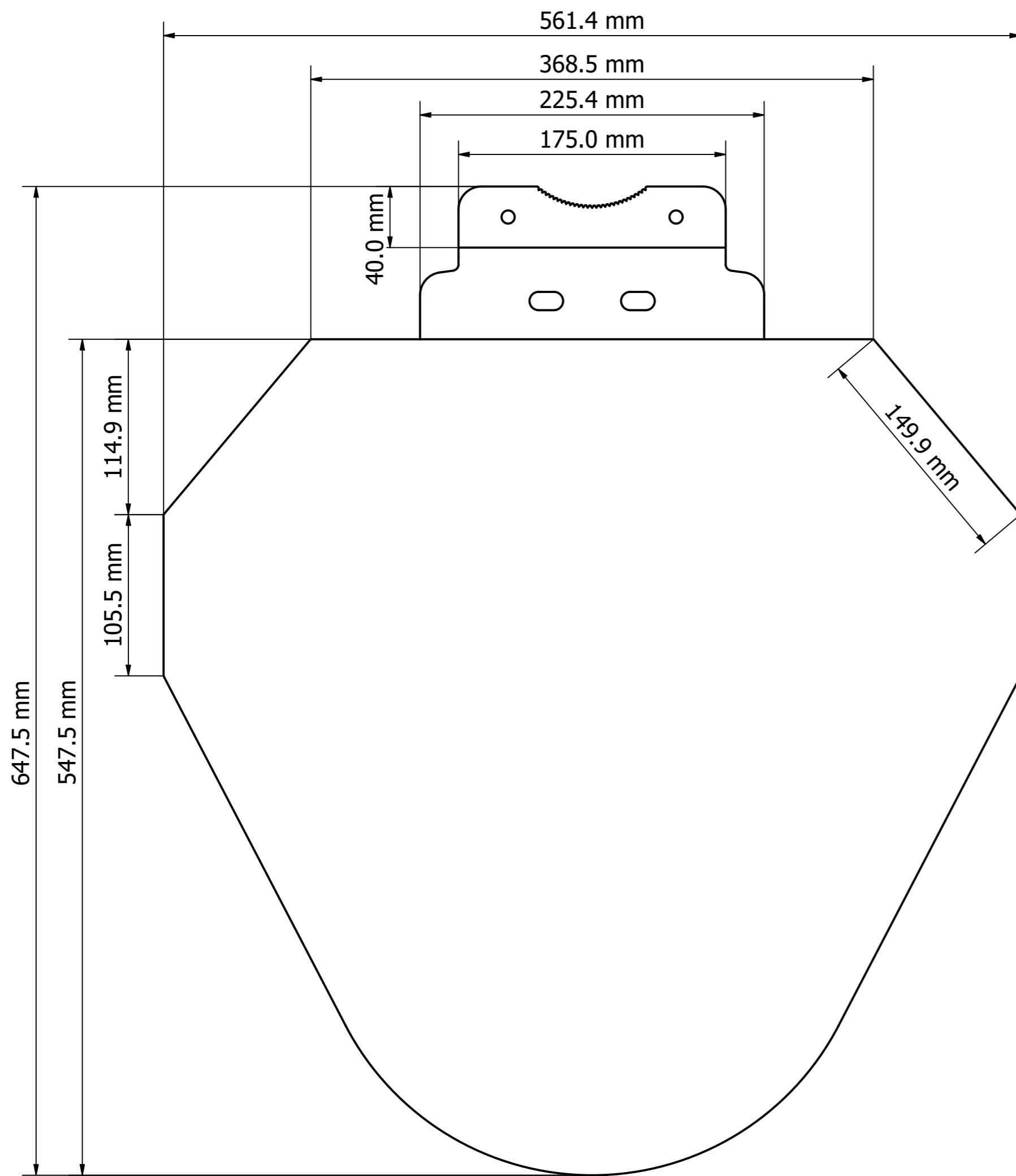


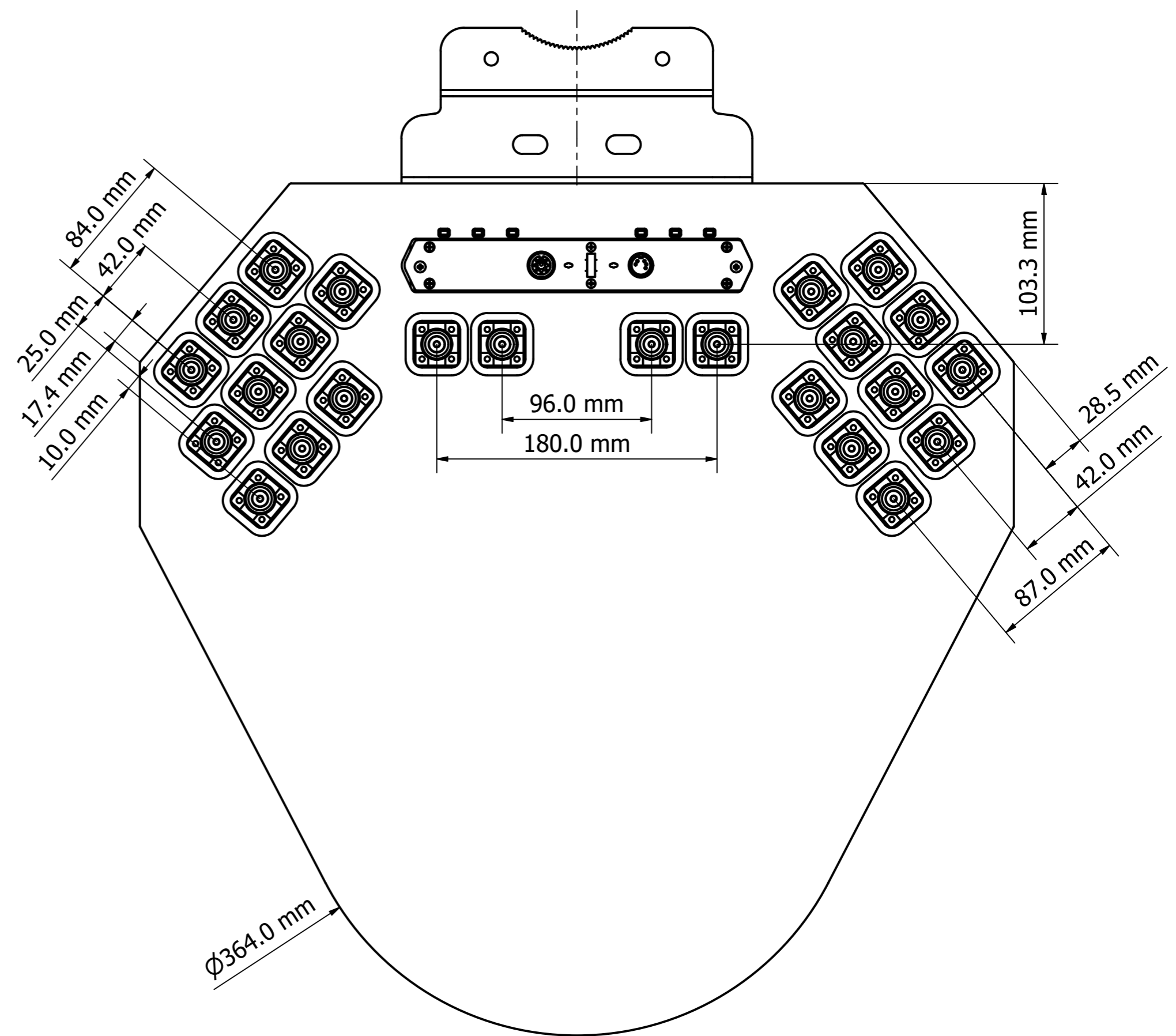
Designed by VIGNESH	Drawing by LAWRENCE	Date 3/12/2025	Approved by PAVEL	Date 3/12/2025	Quantity	Material
<b>MATSING</b> LENS TECHNOLOGY ENABLED						MS-MBC-6-F4-6
					MS-MBC-6-F4-6 (mm)	Revision 1.0
					Sheet 1 / 3	



Designed by VIGNESH	Drawing by LAWRENCE	Date 3/12/2025	Approved by PAVEL	Date 3/12/2025	Quantity	Material
<b>MATSING</b> LENS TECHNOLOGY ENABLED						MS-MBC-6-F4-6
					MS-MBC-6-F4-6 (mm)	Revision 1.0
					Sheet 2 / 3	



Top View



Bottom View

Designed by VIGNESH	Drawing by LAWRENCE	Date 3/12/2025	Approved by PAVEL	Date 3/12/2025	Quantity	Material
<b>MATSING</b> LENS TECHNOLOGY ENABLED						MS-MBC-6-F4-6
MS-MBC-6-F4-6 (mm)					Revision 1.0	Sheet 3 / 3