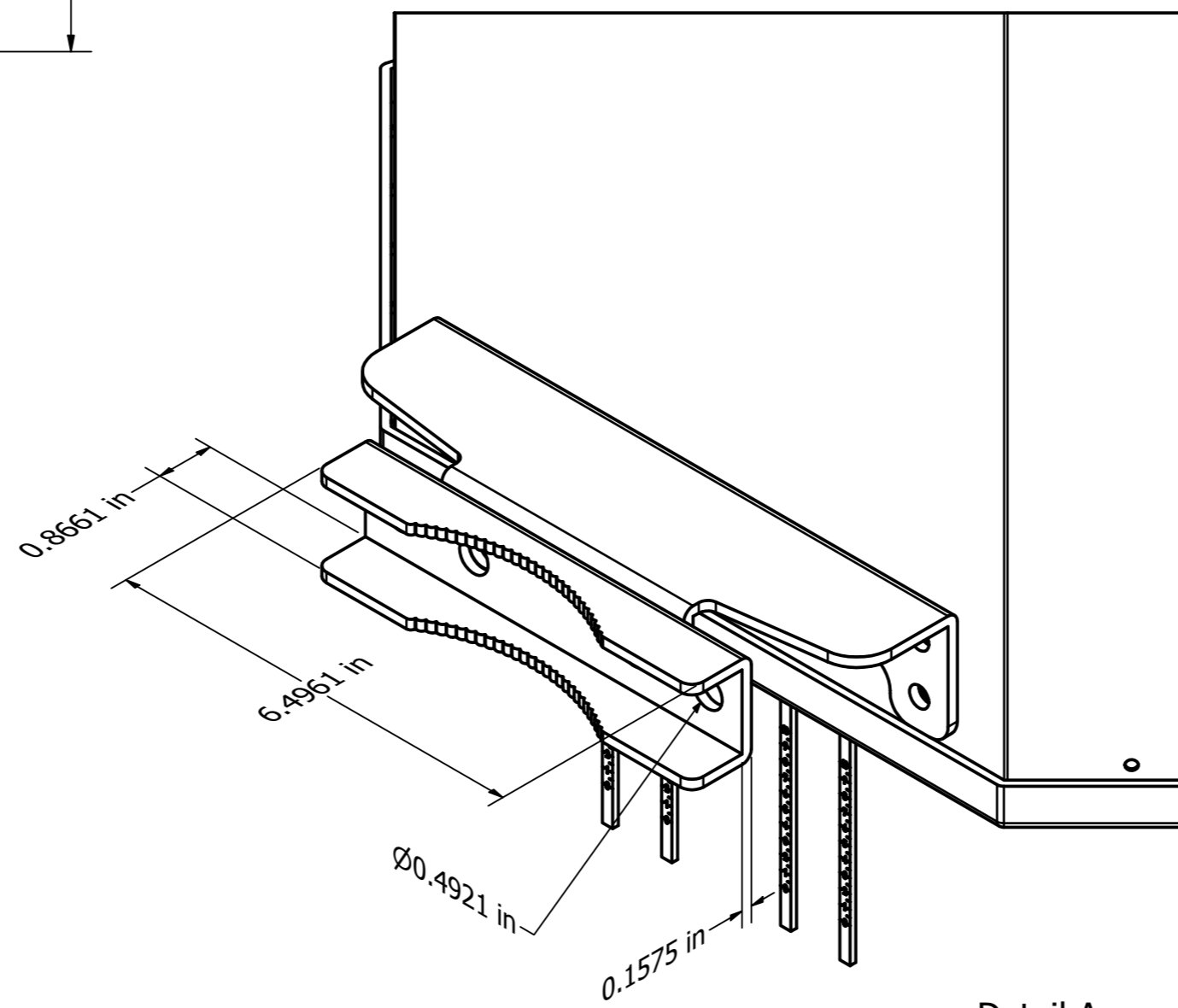
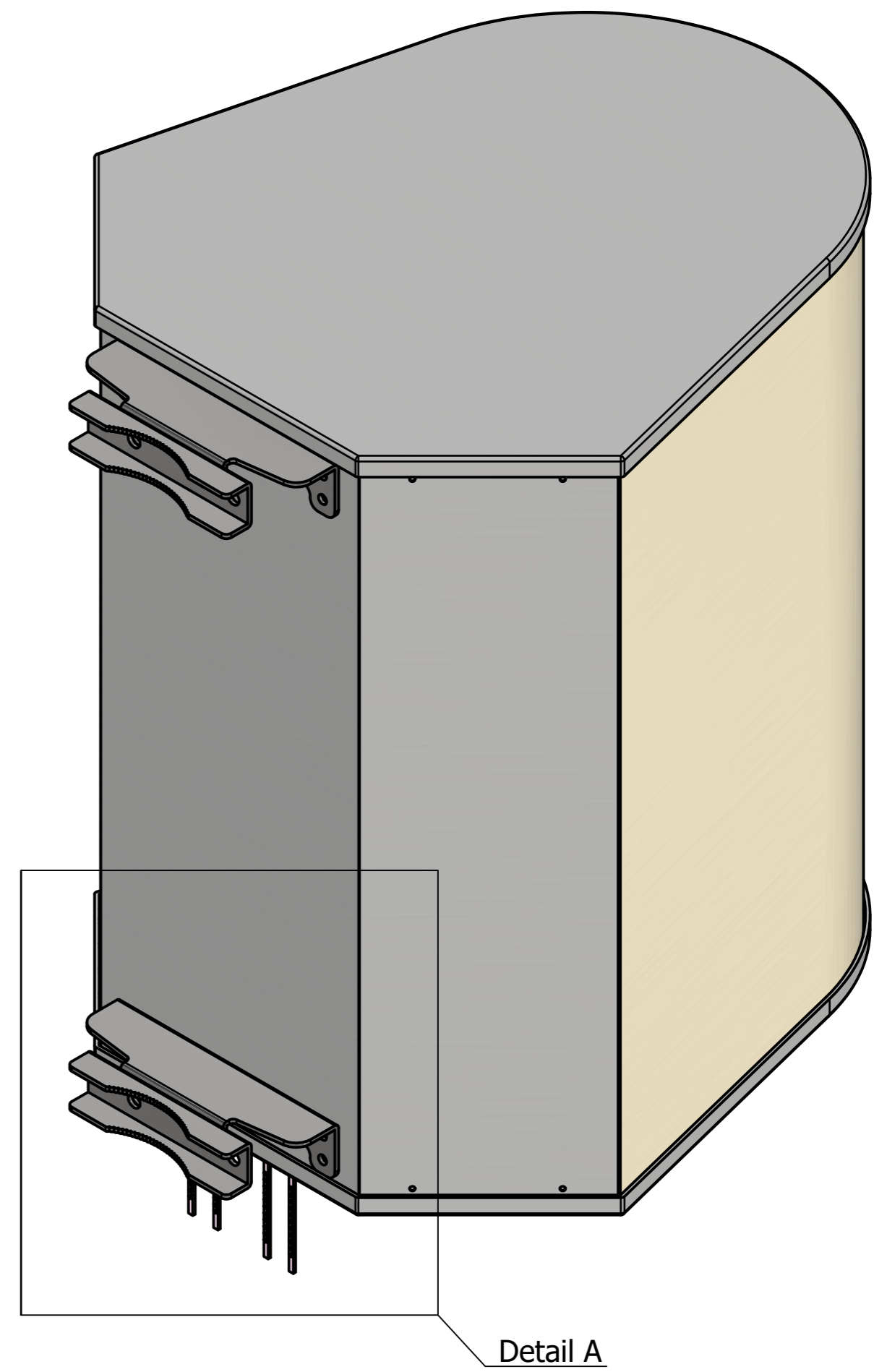
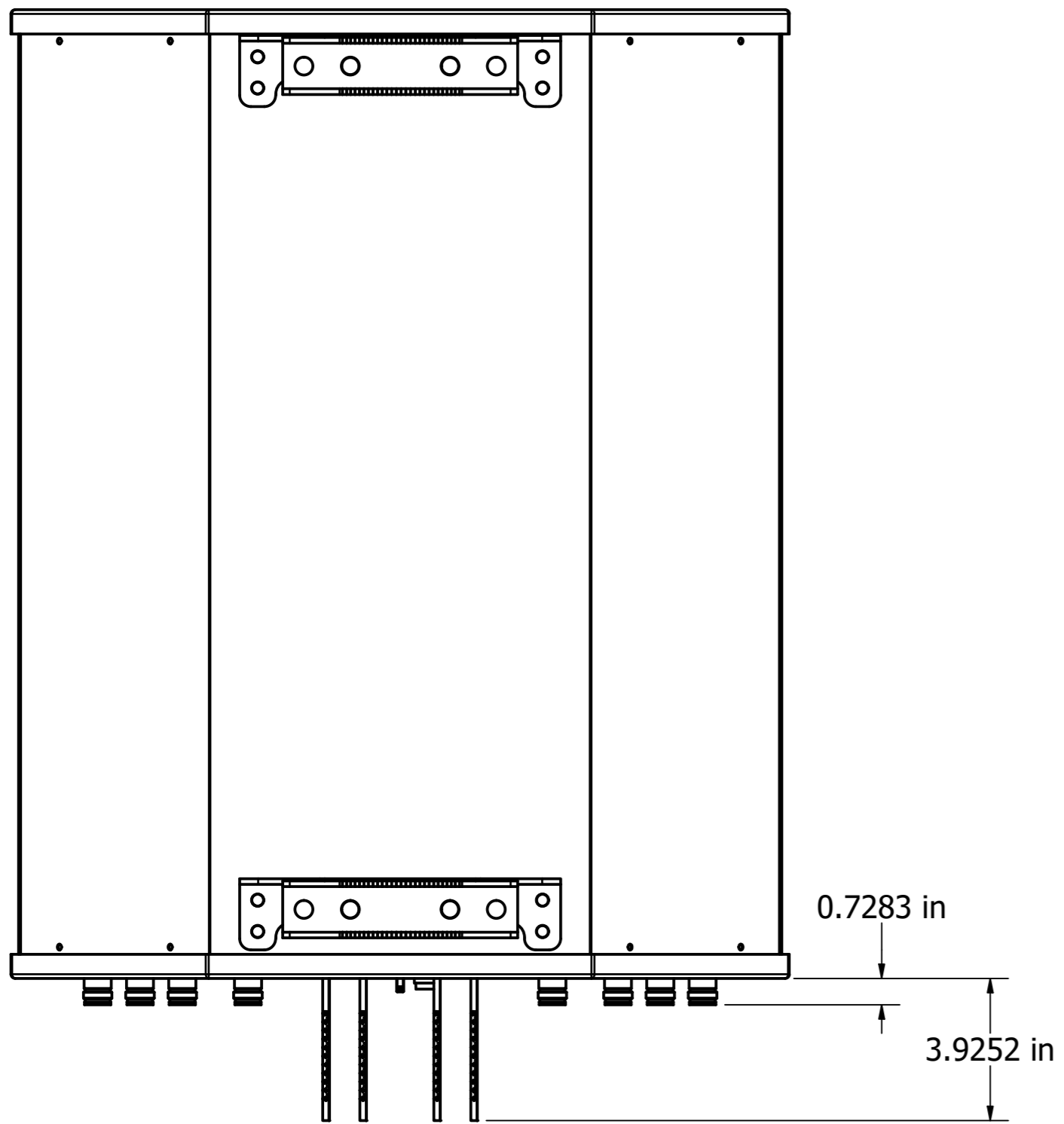
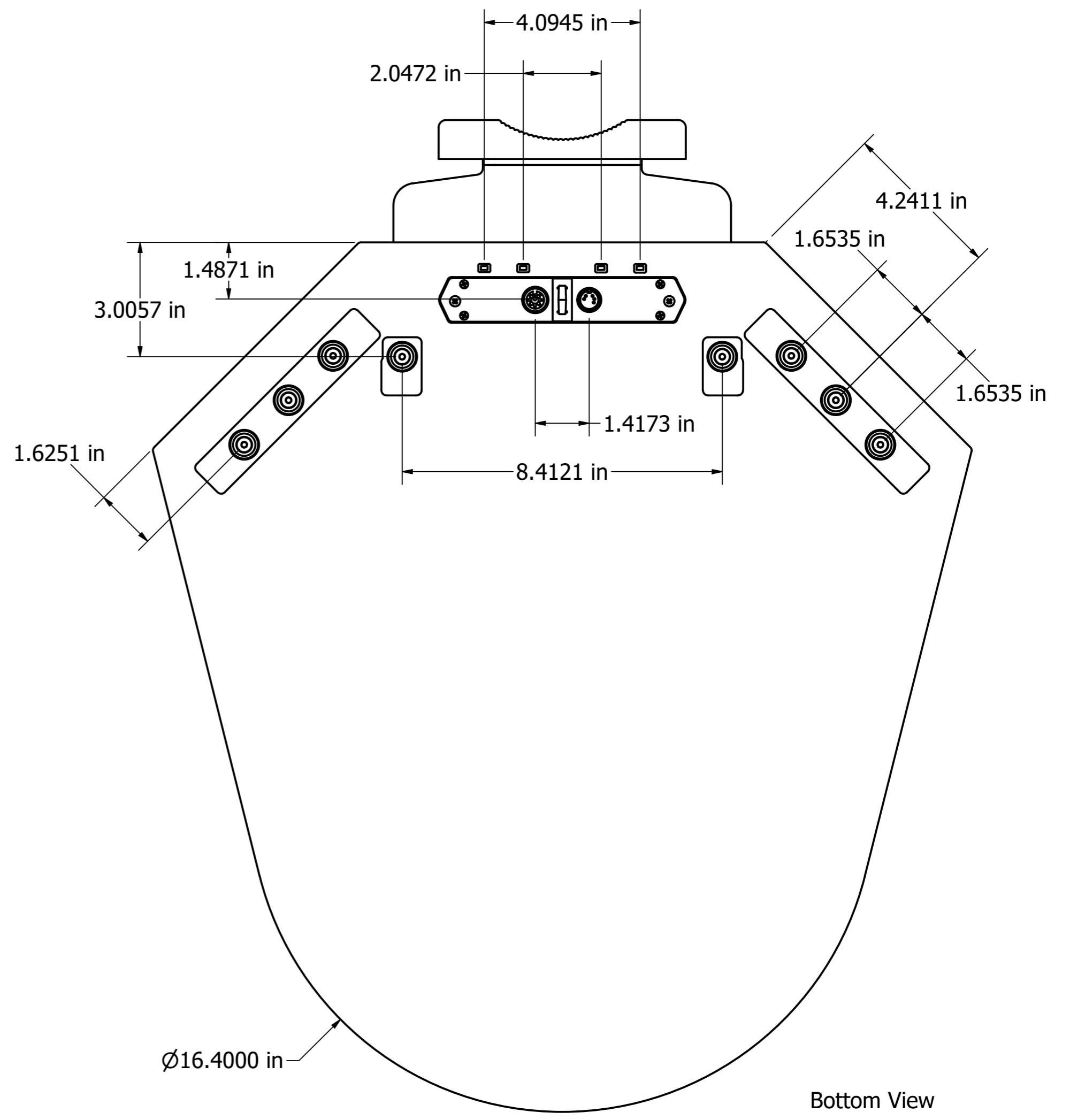
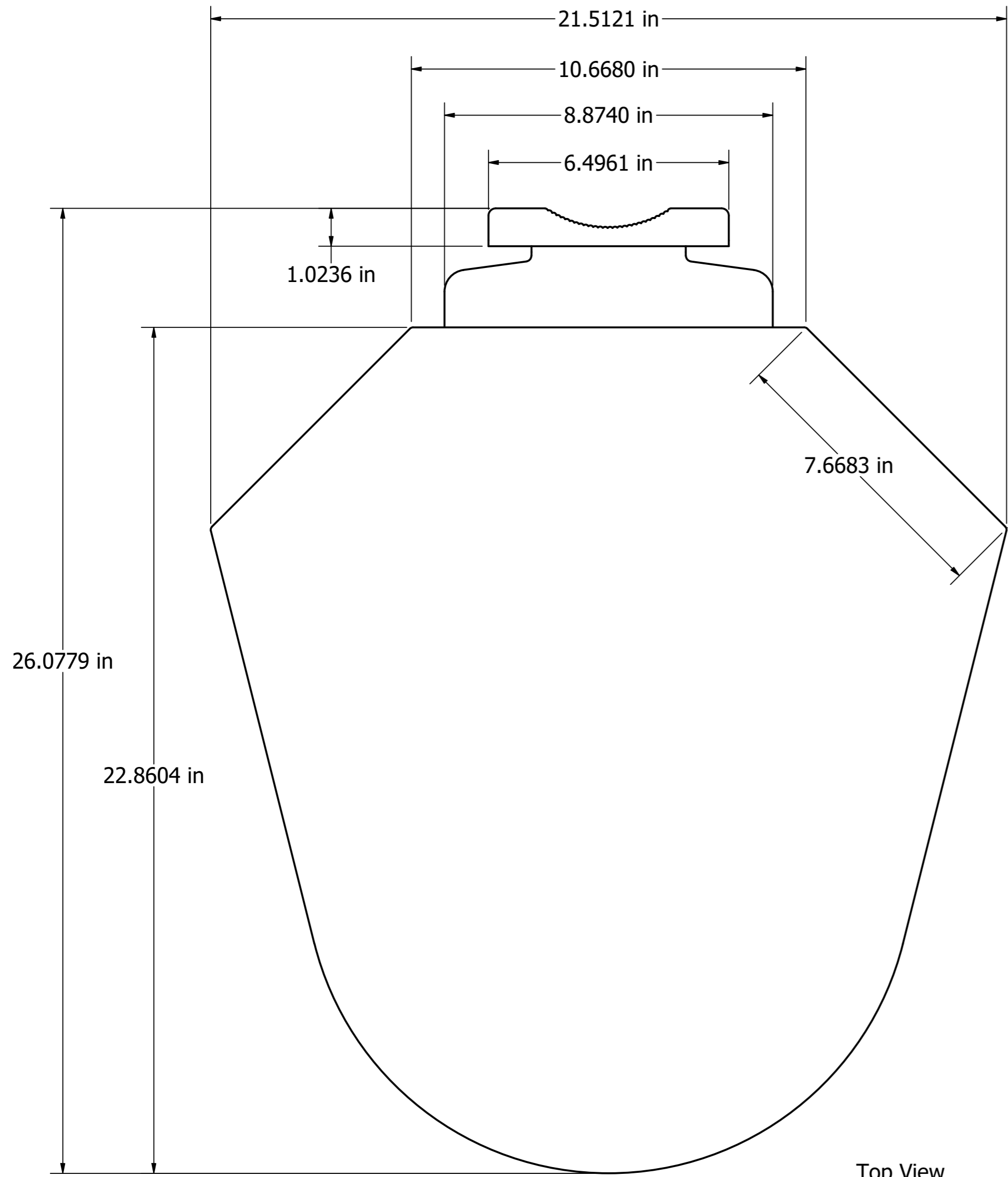


Designed by	Drawing by	Date	Approved by	Date	Quantity	Material
ALEXANDRE	LAWRENCE	19/6/2024	PAVEL	19/6/2024		
MATSING LENS TECHNOLOGY ENABLED						MS-MBC-4-H2-12
						MS-MBC-4-H2-12 (in)
					Revision	Sheet
					1.0	1 / 3



Detail A

Designed by ALEXANDRE	Drawing by LAWRENCE	Date 19/6/2024	Approved by PAVEL	Date 19/6/2024	Quantity	Material
MATSING LENS TECHNOLOGY ENABLED						MS-MBC-4-H2-12
					MS-MBC-4-H2-12 (in)	Revision 1.0
						Sheet 2 / 3



Designed by ALEXANDRE	Drawing by LAWRENCE	Date 19/6/2024	Approved by PAVEL	Date 19/6/2024	Quantity	Material
MATSING LENS TECHNOLOGY ENABLED						MS-MBC-4-H2-12
MS-MBC-4-H2-12 (in)					Revision 1.0	Sheet 3 / 3