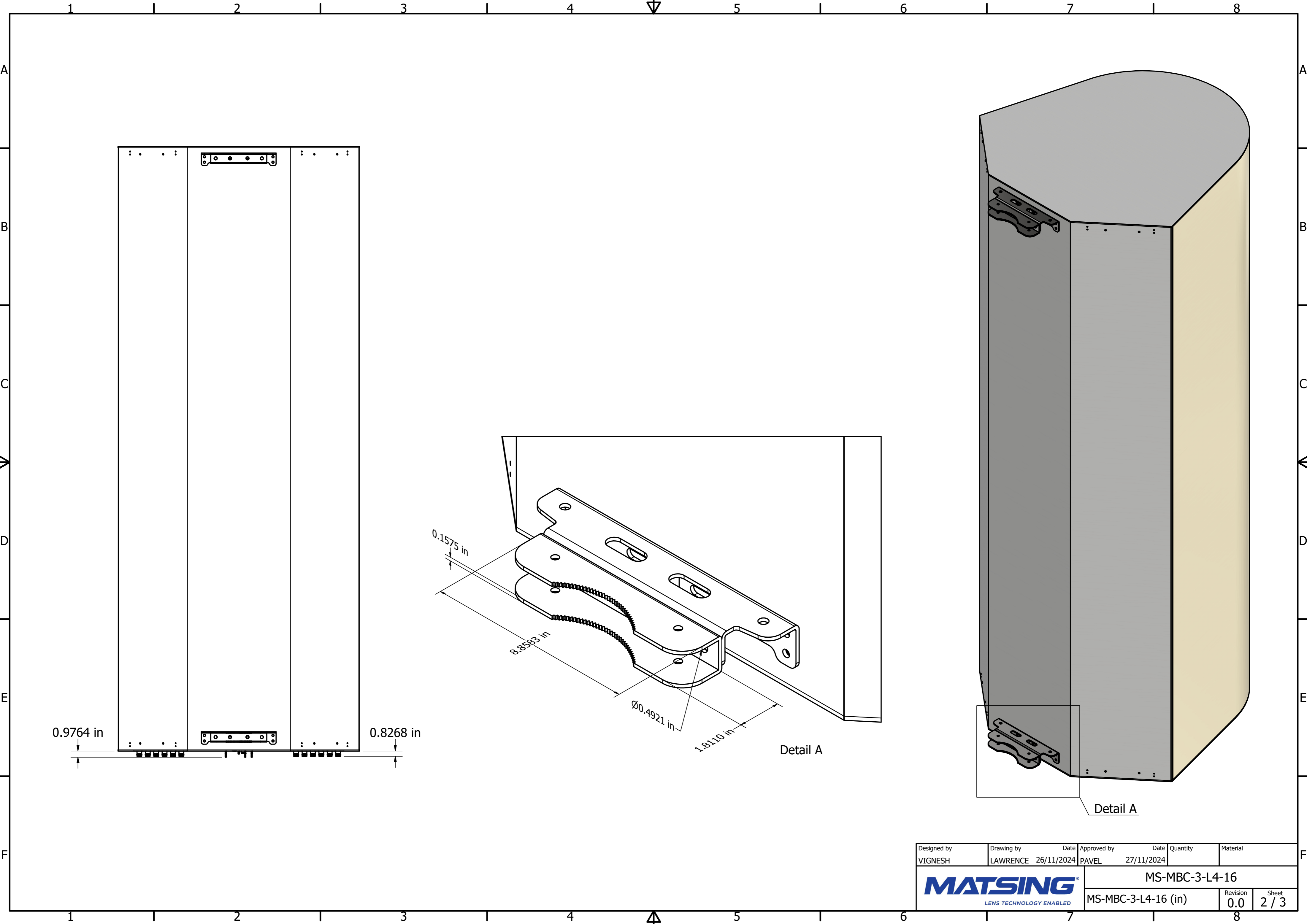


Designed by VIGNESH	Drawing by LAWRENCE	Date 26/11/2024	Approved by PAVEL	Date 27/11/2024	Quantity	Material
MATSING LENS TECHNOLOGY ENABLED						MS-MBC-3-L4-16
MS-MBC-3-L4-16 (in)					Revision 0.0	Sheet 1 / 3



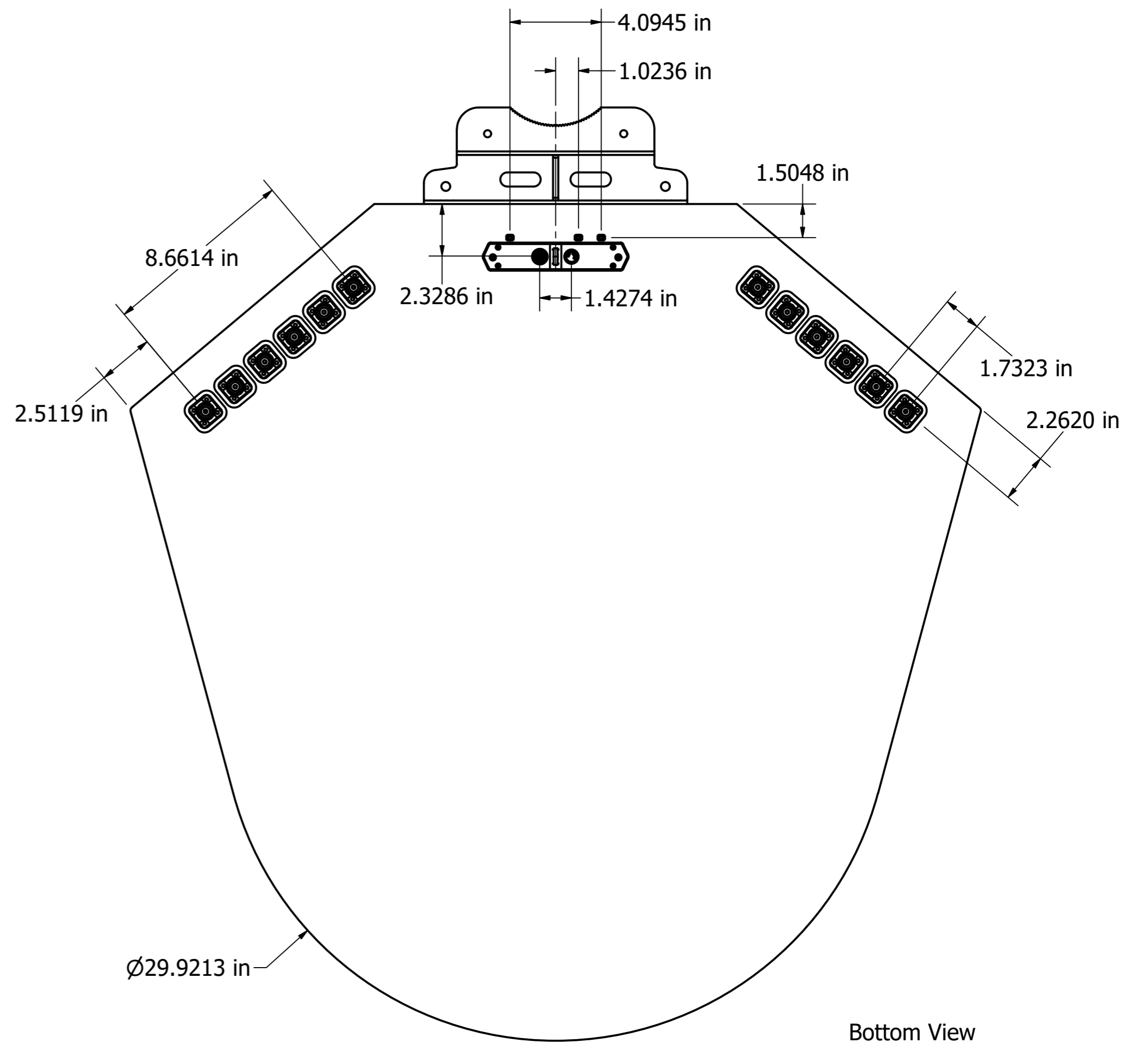
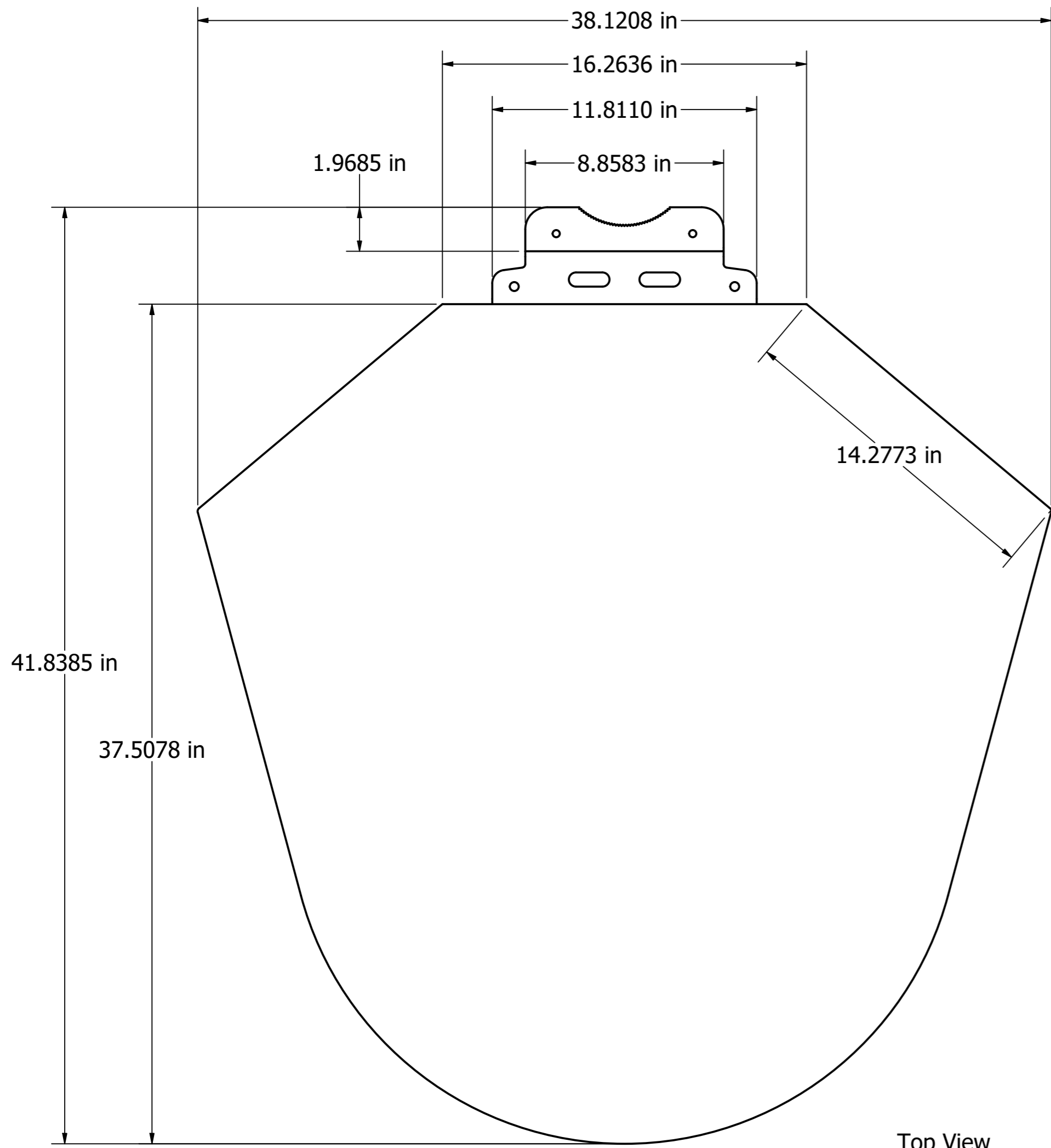
0.9764 in 0.8268 in

0.1575 in
 8.8583 in
 Ø0.4921 in
 1.8110 in

Detail A

Detail A

Designed by VIGNESH	Drawing by LAWRENCE	Date 26/11/2024	Approved by PAVEL	Date 27/11/2024	Quantity	Material
MATSING LENS TECHNOLOGY ENABLED						MS-MBC-3-L4-16
MS-MBC-3-L4-16 (in)					Revision 0.0	Sheet 2 / 3



Designed by VIGNESH	Drawing by LAWRENCE	Date 26/11/2024	Approved by PAVEL	Date 27/11/2024	Quantity	Material
MATSING LENS TECHNOLOGY ENABLED						MS-MBC-3-L4-16
MS-MBC-3-L4-16 (in)					Revision 0.0	Sheet 3 / 3