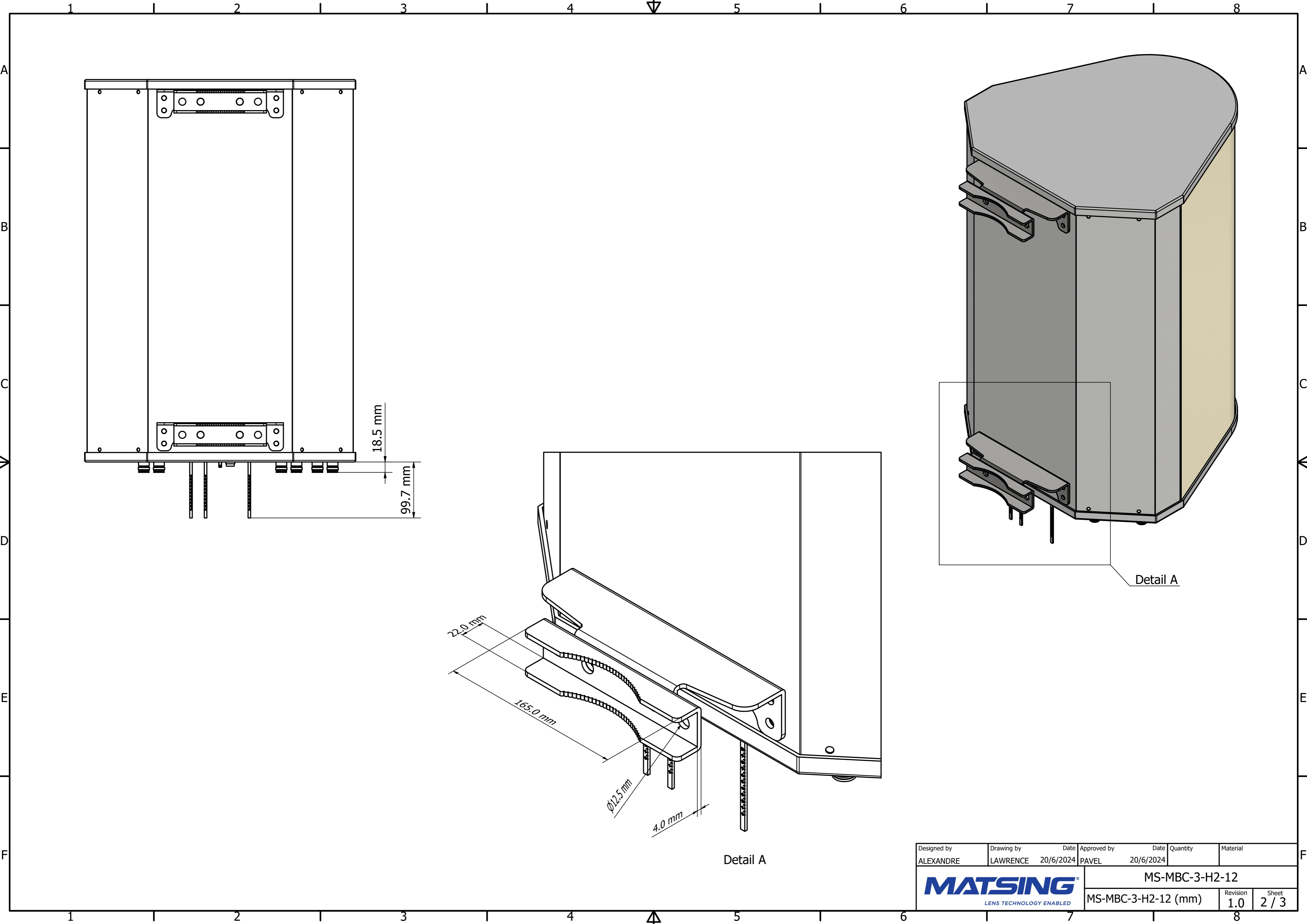
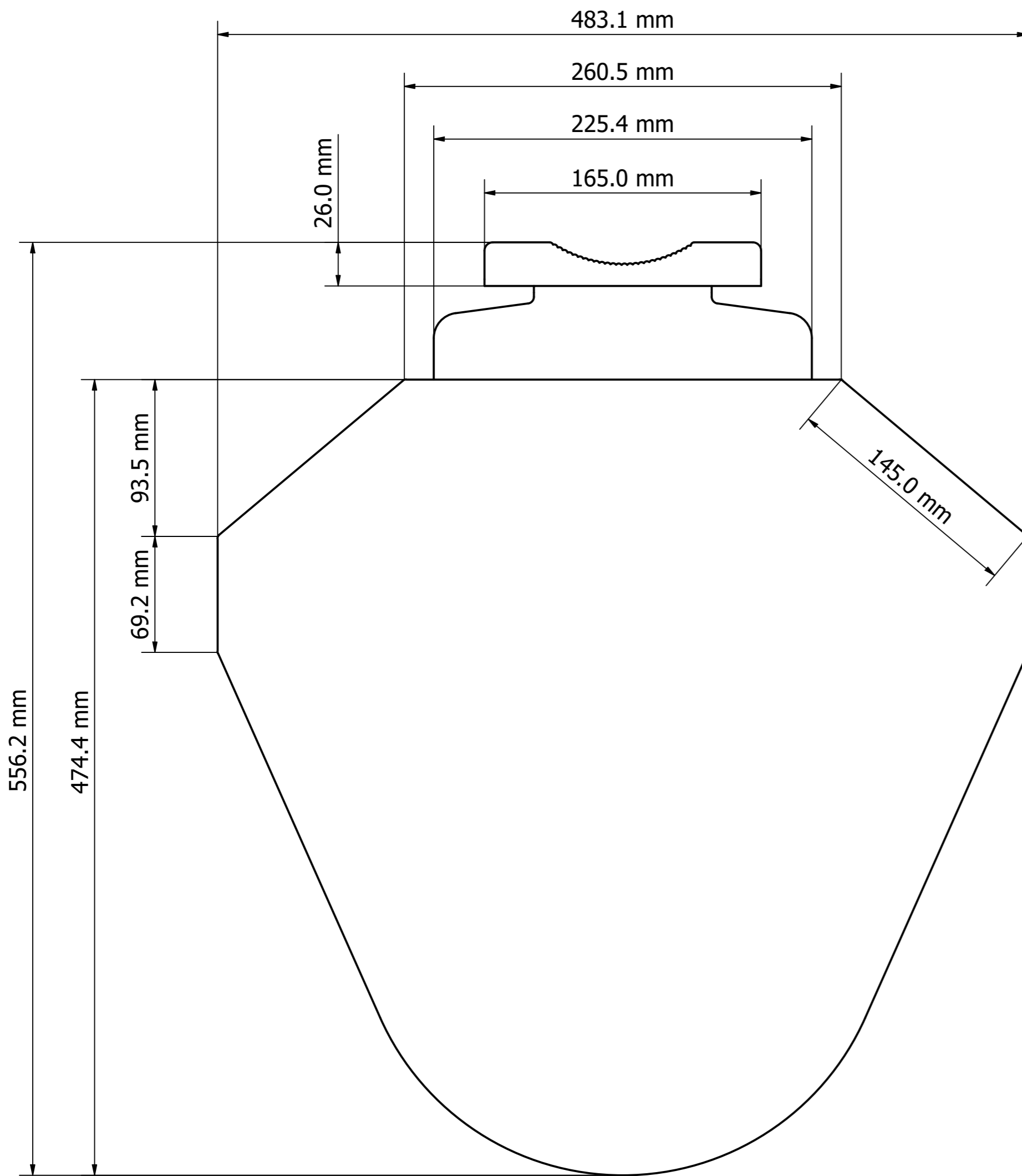


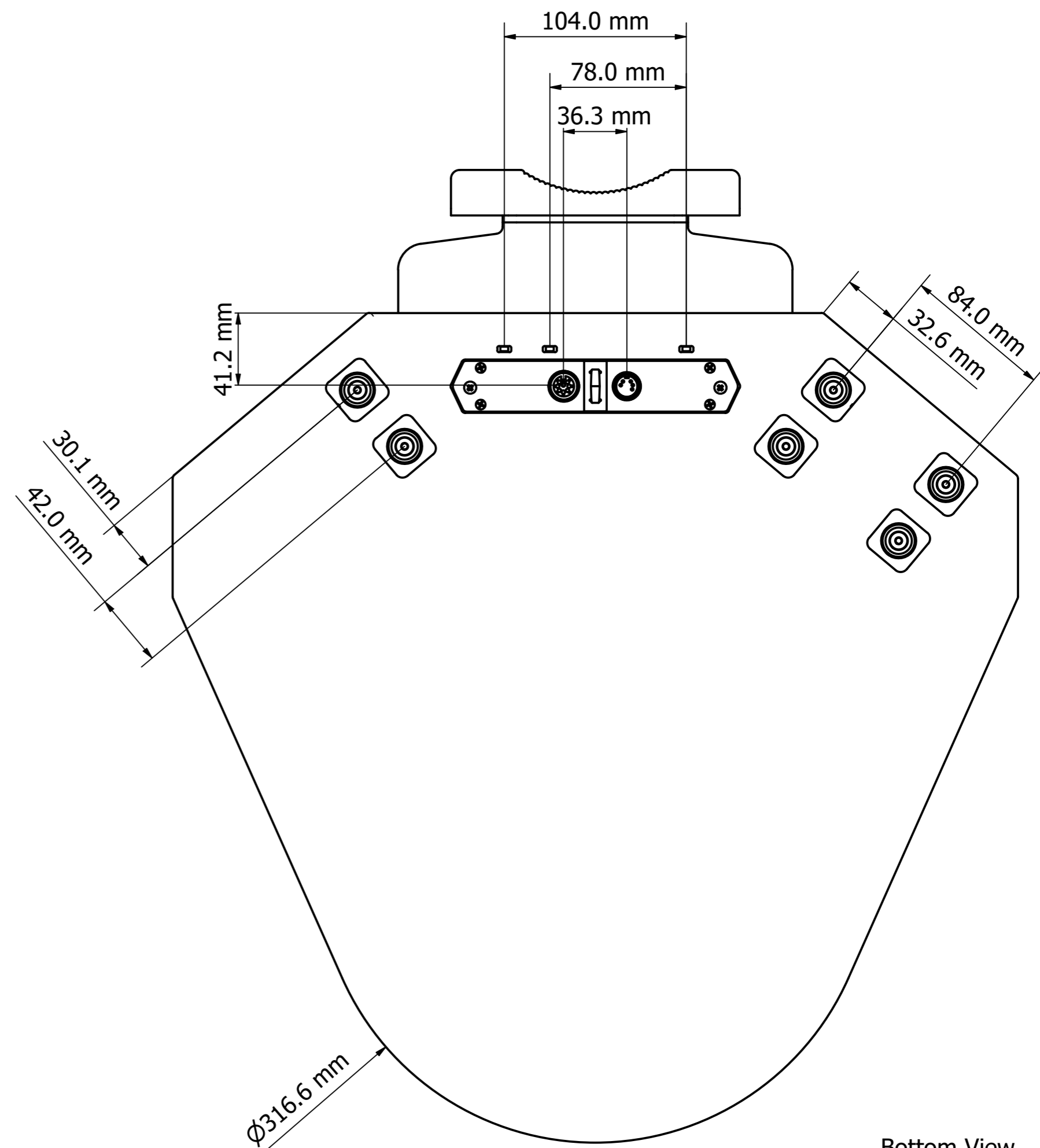
Designed by ALEXANDRE	Drawing by LAWRENCE	Date 20/6/2024	Approved by PAVEL	Date 20/6/2024	Quantity	Material
MATSING LENS TECHNOLOGY ENABLED						MS-MBC-3-H2-12
					MS-MBC-3-H2-12 (mm)	Revision 1.0
					Sheet 1 / 3	



Designed by ALEXANDRE	Drawing by LAWRENCE	Date 20/6/2024	Approved by PAVEL	Date 20/6/2024	Quantity	Material
MATSING LENS TECHNOLOGY ENABLED						MS-MBC-3-H2-12
MS-MBC-3-H2-12 (mm)					Revision 1.0	Sheet 2 / 3



Top View



Bottom View

Designed by ALEXANDRE	Drawing by LAWRENCE	Date 20/6/2024	Approved by PAVEL	Date 20/6/2024	Quantity	Material
						MS-MBC-3-H2-12
						MS-MBC-3-H2-12 (mm)