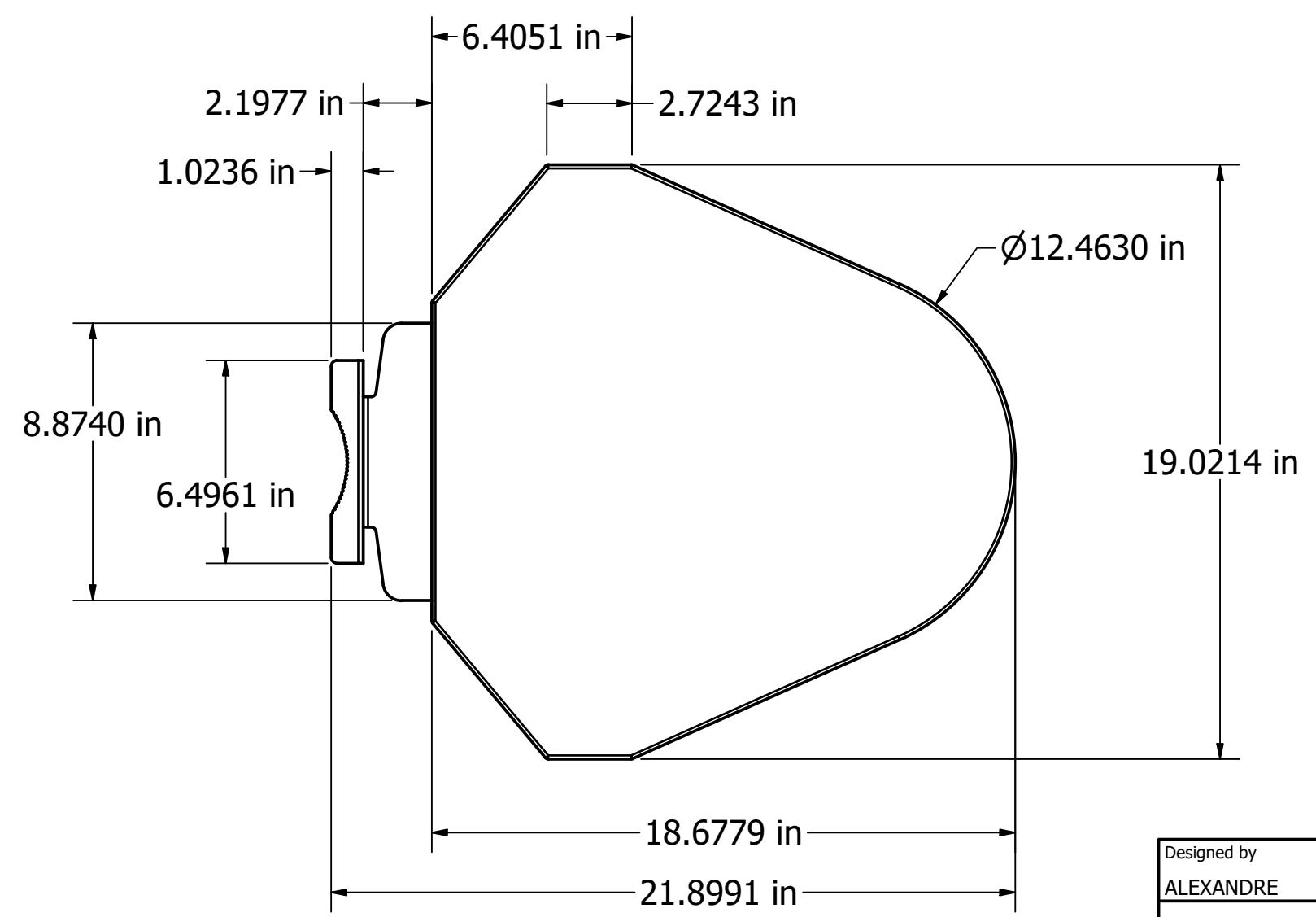
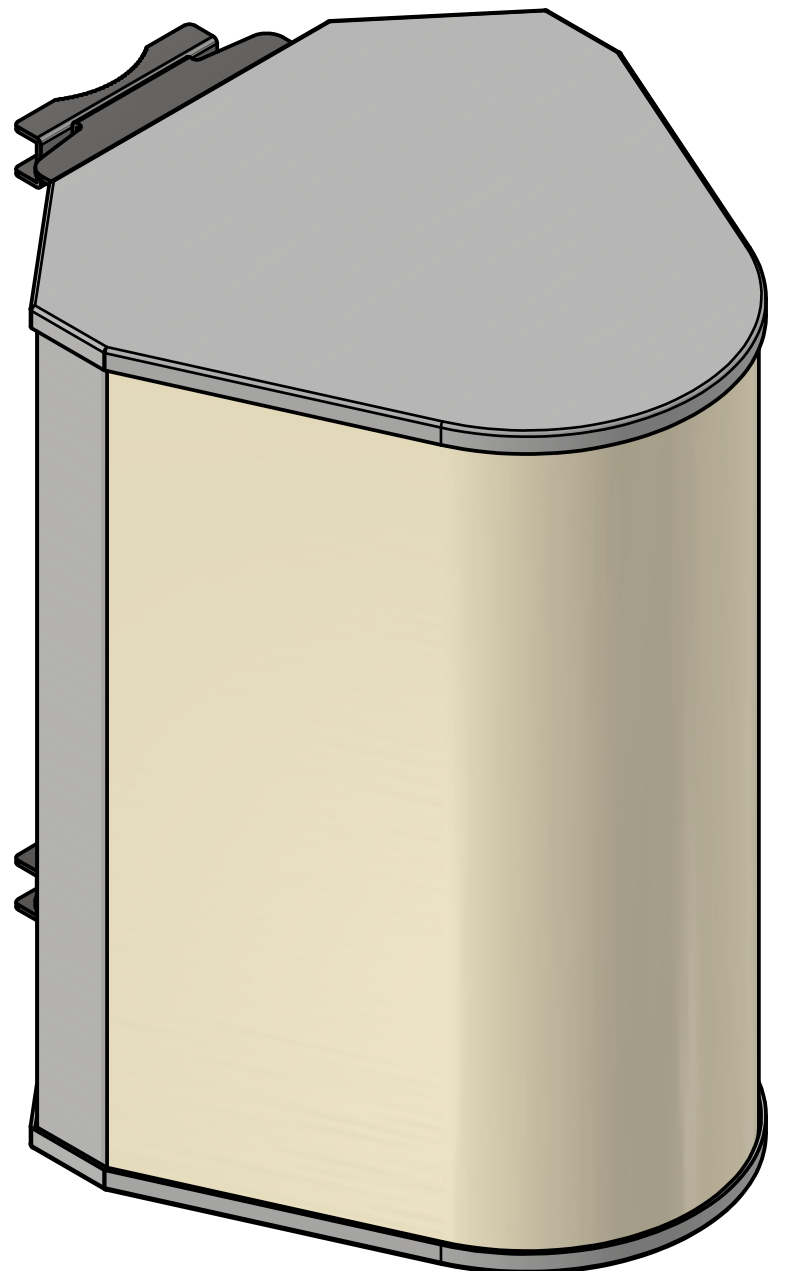
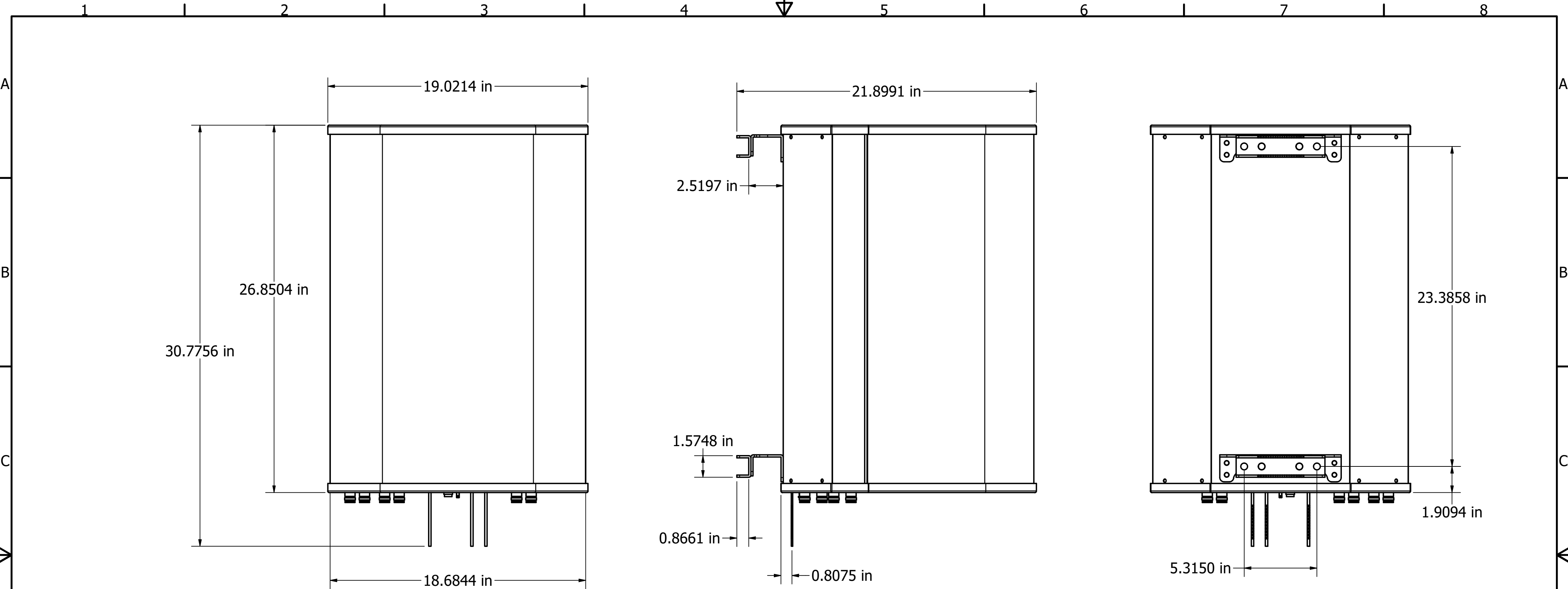
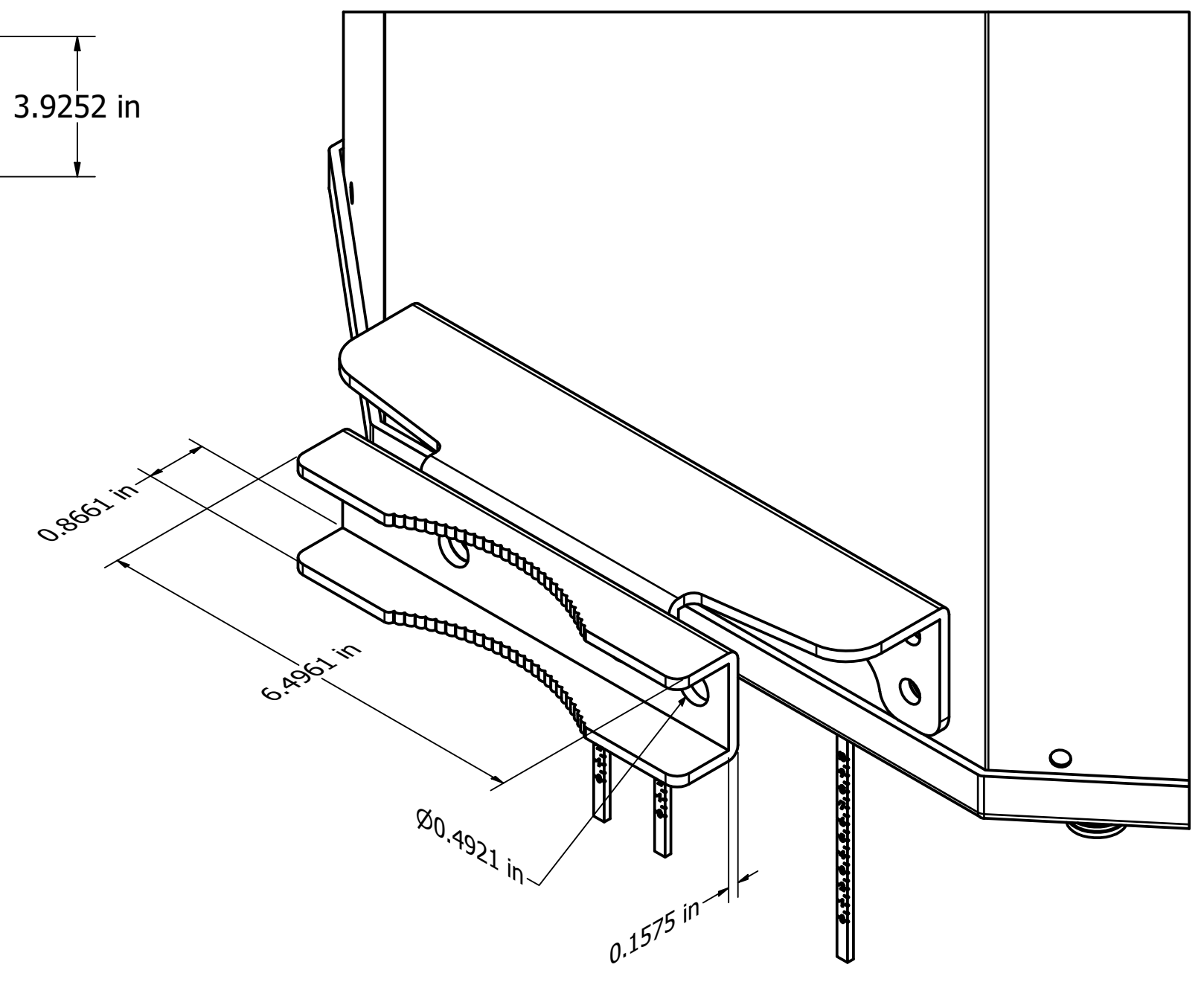
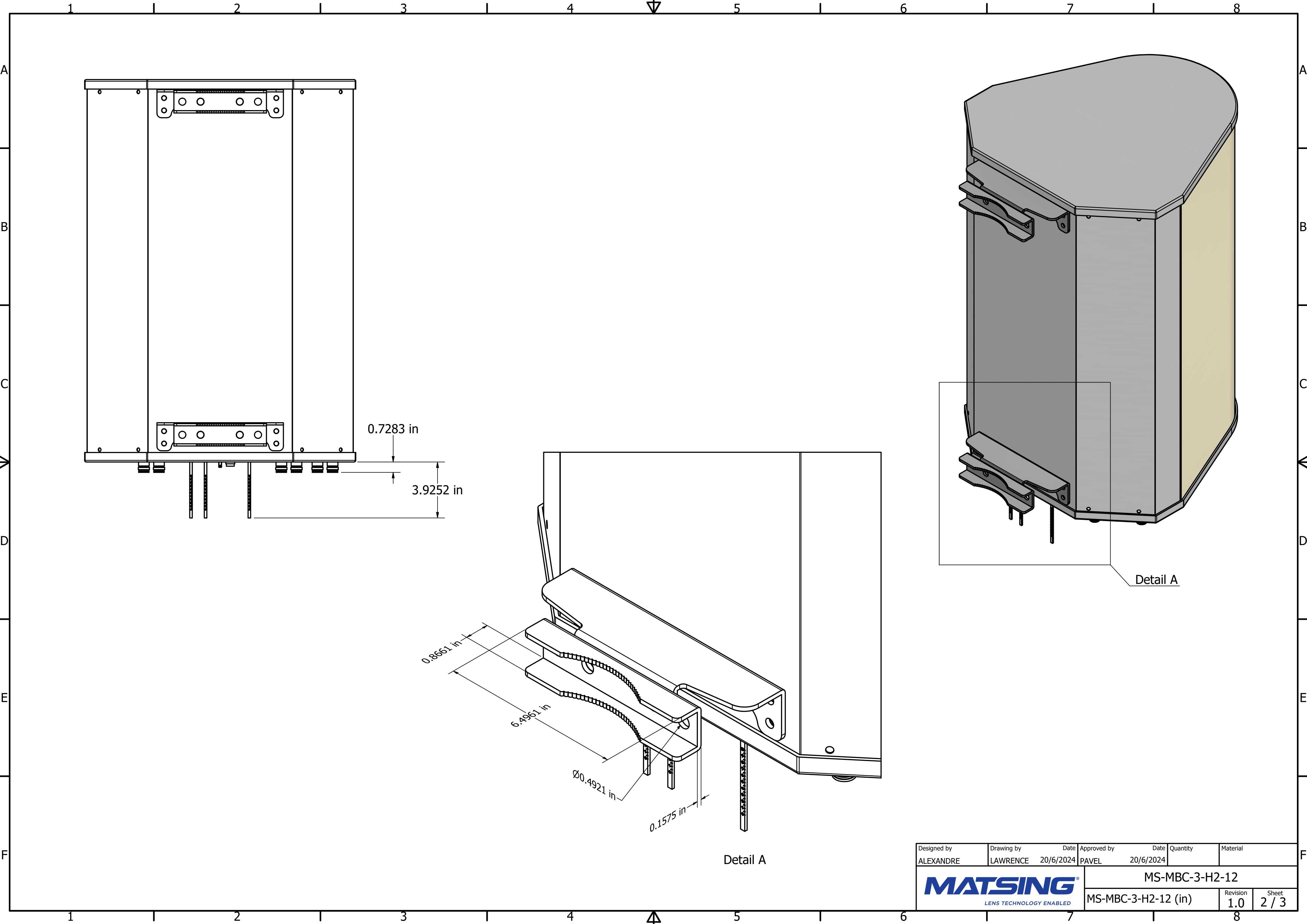


1 2 3 4 5 6 7 8

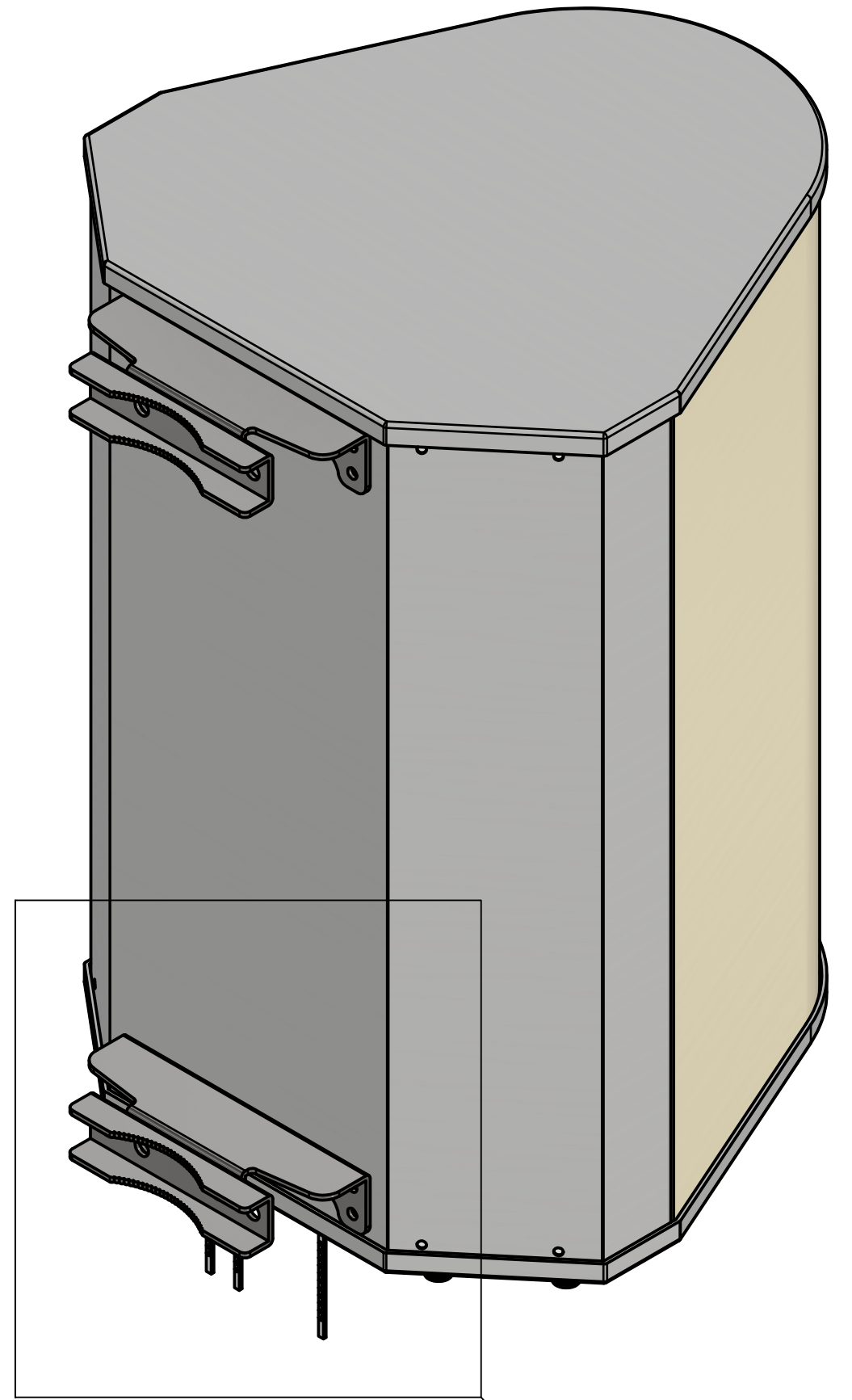
A B C D E F



Designed by	Drawing by	Date	Approved by	Date	Quantity	Material	
ALEXANDRE	LAWRENCE	20/6/2024	PAVEL	20/6/2024			
MATSING LENS TECHNOLOGY ENABLED						MS-MBC-3-H2-12	
						MS-MBC-3-H2-12 (in)	Revision 1.0 Sheet 1 / 3

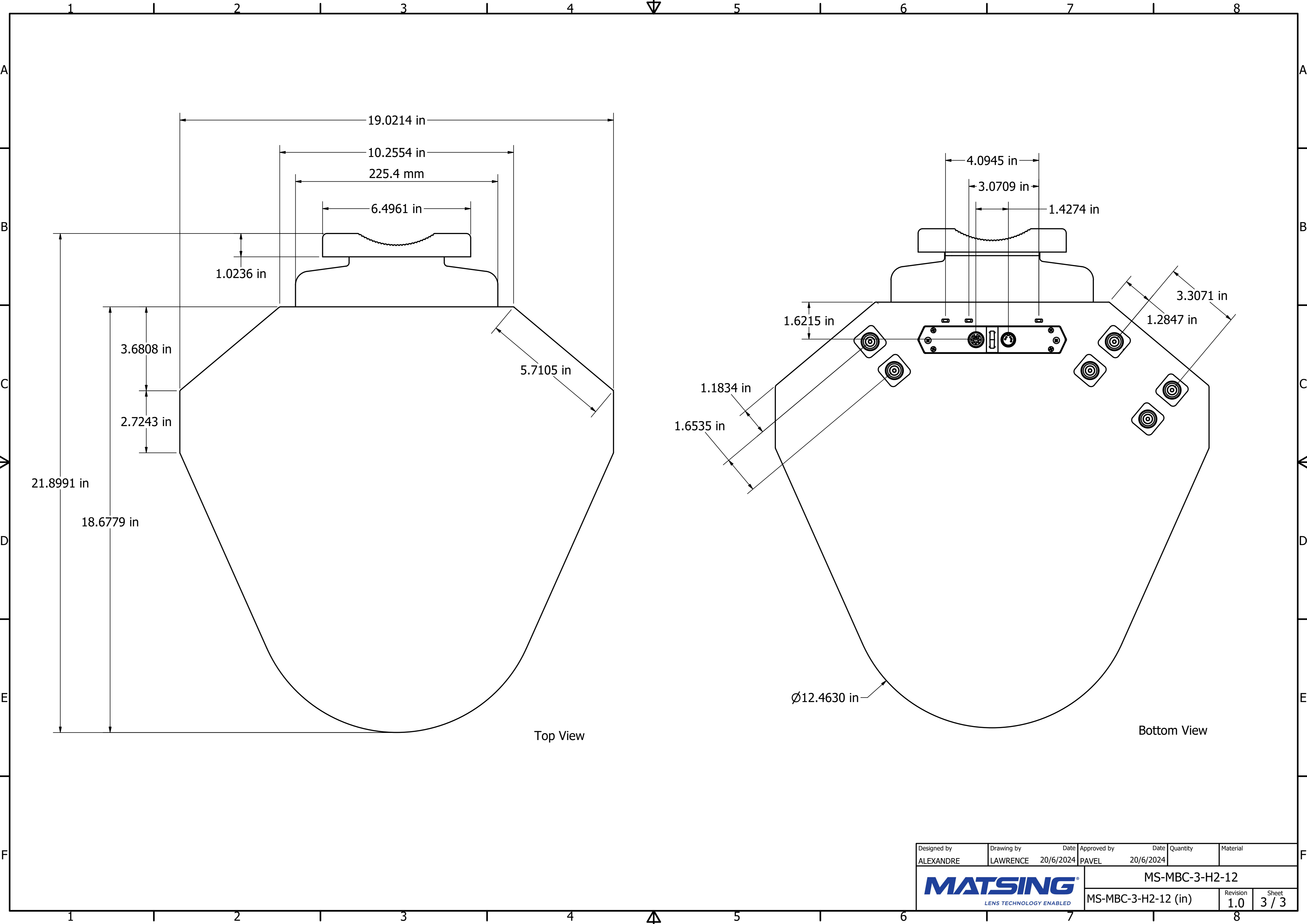


Detail A



Detail A

Designed by ALEXANDRE	Drawing by LAWRENCE	Date 20/6/2024	Approved by PAVEL	Date 20/6/2024	Quantity	Material
MATSING LENS TECHNOLOGY ENABLED						MS-MBC-3-H2-12
					MS-MBC-3-H2-12 (in)	Revision 1.0
					Sheet 2 / 3	



Top View

Bottom View

Designed by ALEXANDRE	Drawing by LAWRENCE	Date 20/6/2024	Approved by PAVEL	Date 20/6/2024	Quantity	Material
MATSING LENS TECHNOLOGY ENABLED						MS-MBC-3-H2-12
MS-MBC-3-H2-12 (in)					Revision 1.0	Sheet 3 / 3