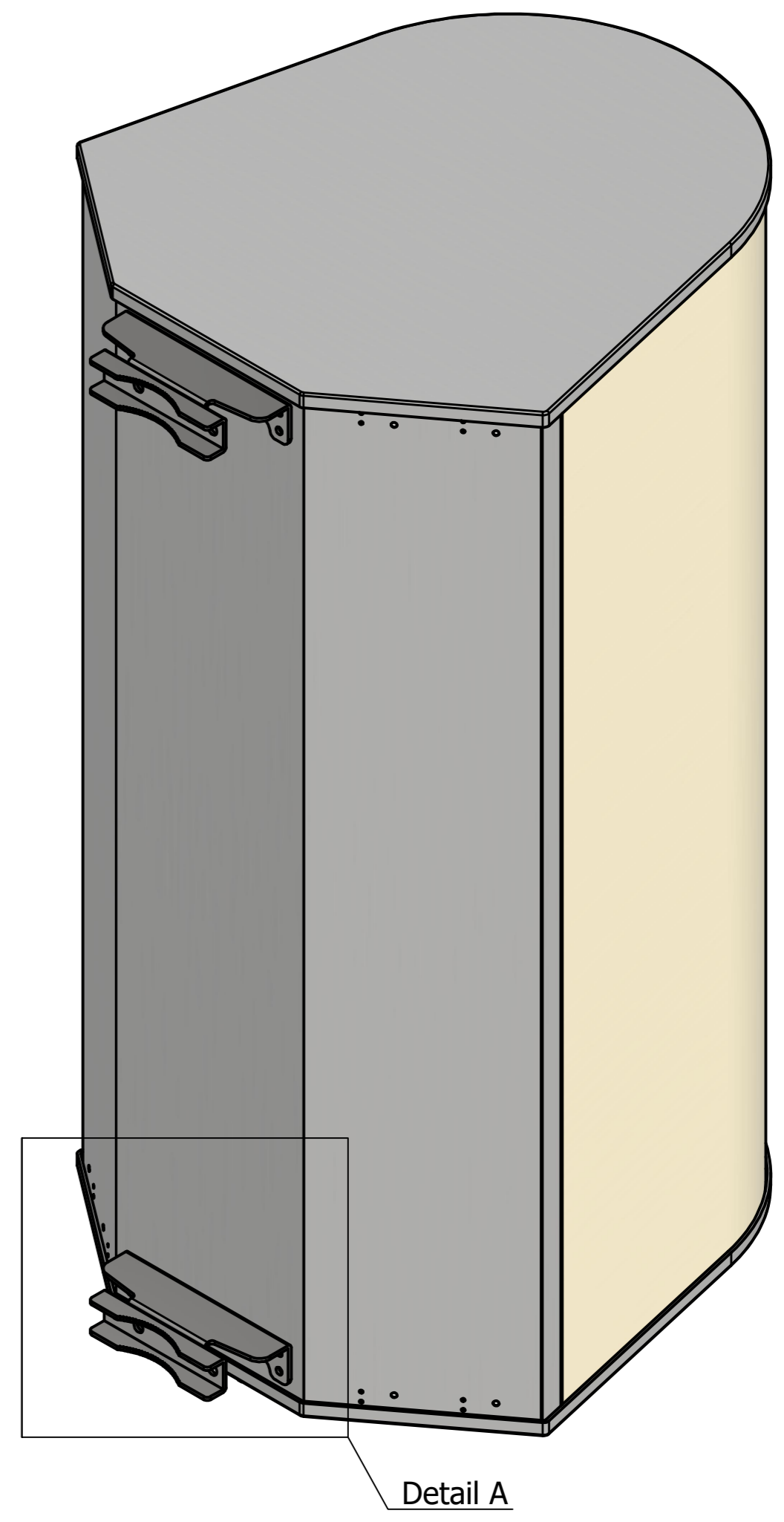
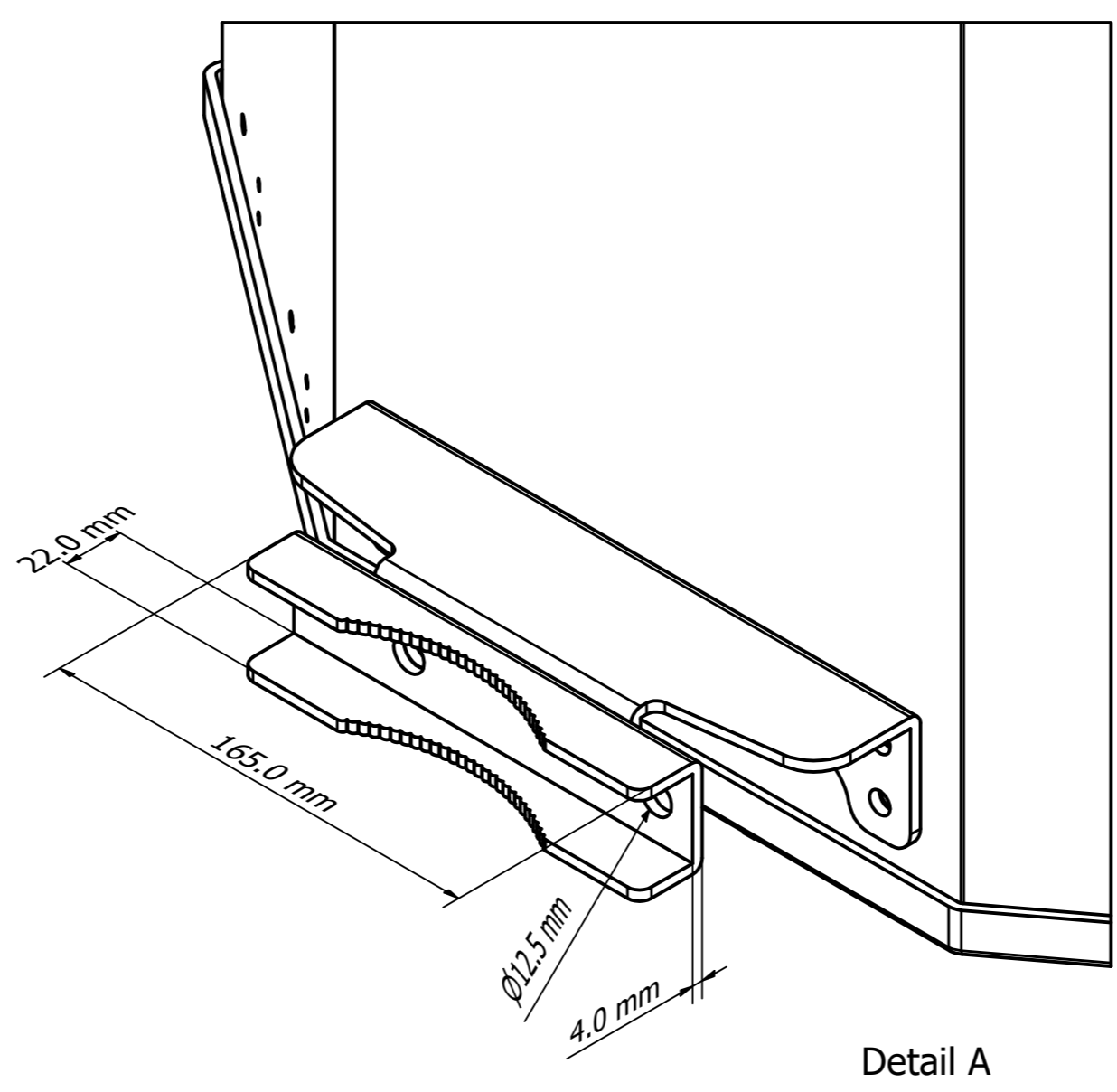
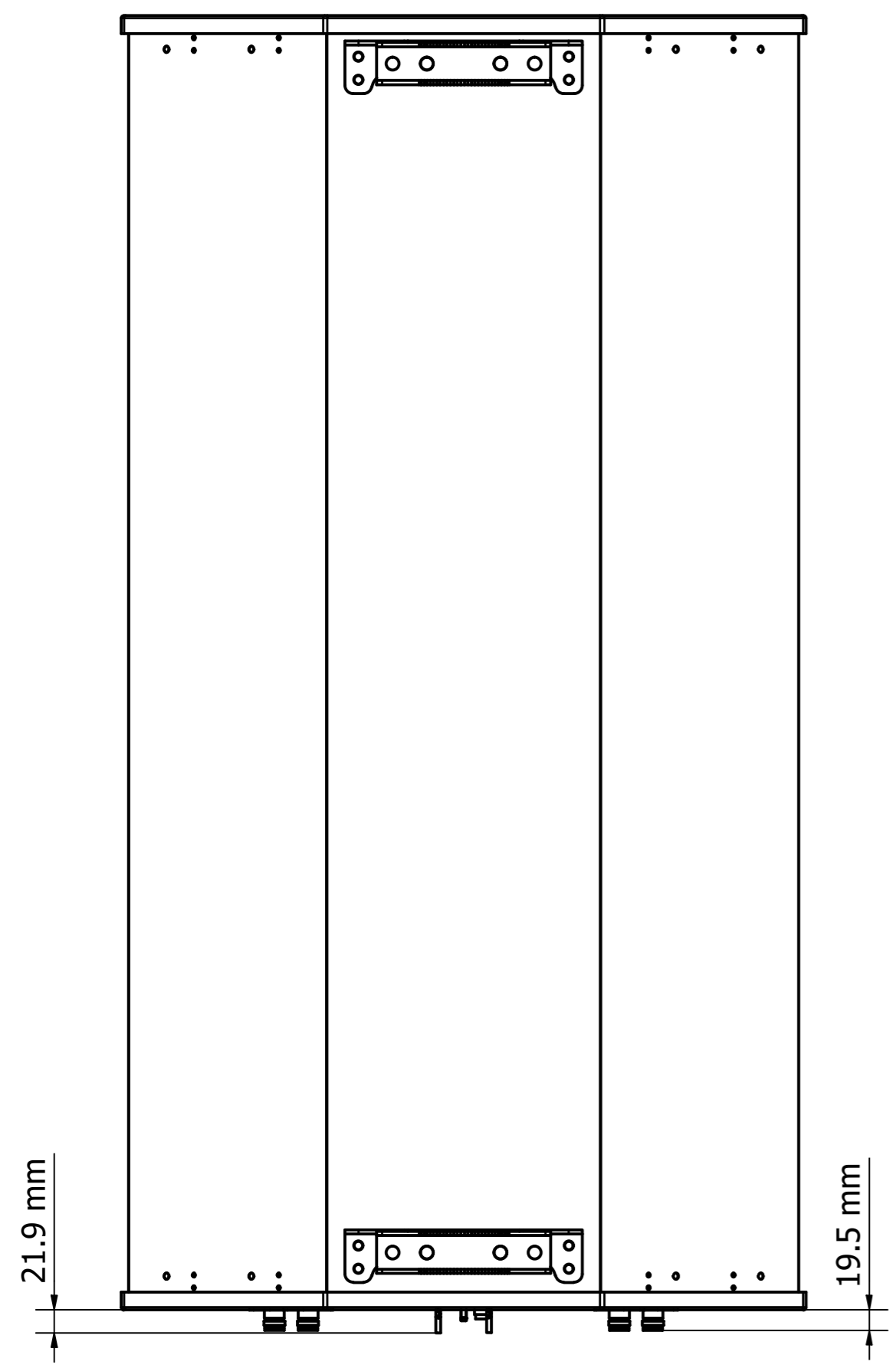
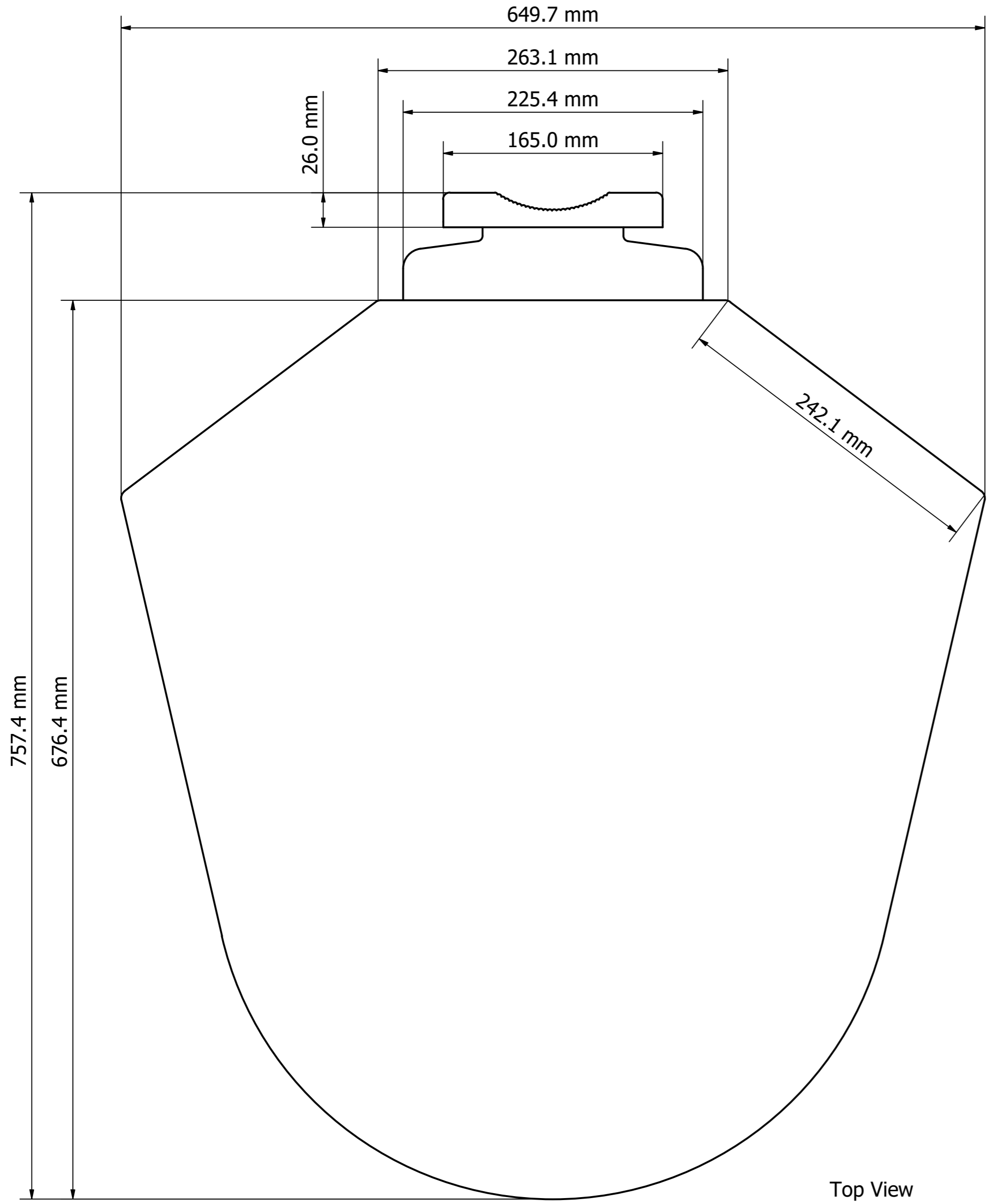


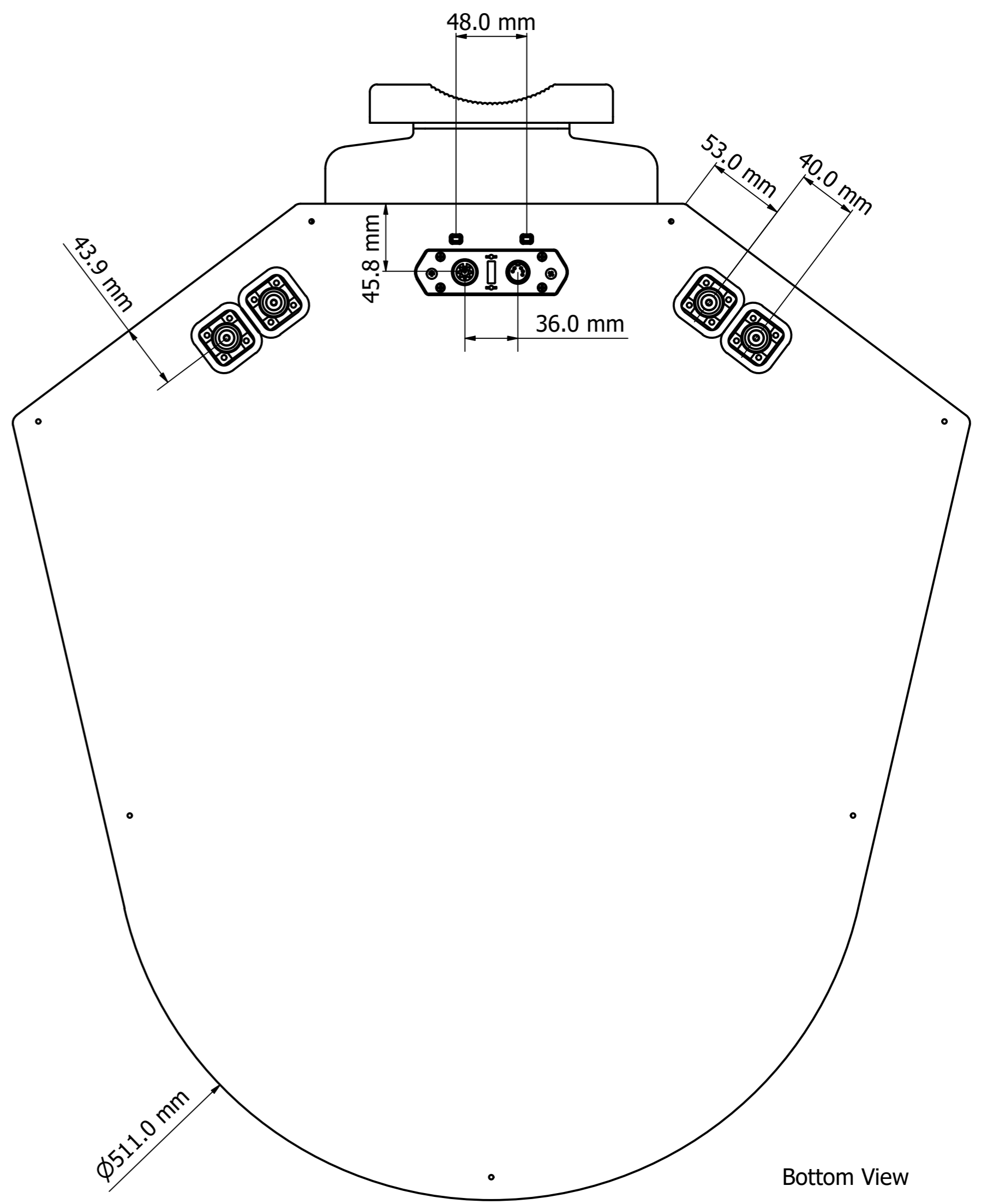
Designed by VIGNESH	Drawing by LAWRENCE	Date 18/9/2024	Approved by PAVEL	Date 3/11/2024	Quantity	Material
MATSING LENS TECHNOLOGY ENABLED						MS-MBC-2-L2-15
					MS-MBC-2-L2-15 (mm)	Revision 1.0
					Sheet 1 / 3	



Designed by VIGNESH	Drawing by LAWRENCE	Date 18/9/2024	Approved by PAVEL	Date 3/11/2024	Quantity	Material
						MS-MBC-2-L2-15
						MS-MBC-2-L2-15 (mm)



Top View



Bottom View

Designed by VIGNESH	Drawing by LAWRENCE	Date 18/9/2024	Approved by PAVEL	Date 3/11/2024	Quantity	Material
MATSING LENS TECHNOLOGY ENABLED						MS-MBC-2-L2-15
MS-MBC-2-L2-15 (mm)					Revision 1.0	Sheet 3 / 3