

## Wind Load

## Antenna MS-MBA-8

**Antenna Model Number**

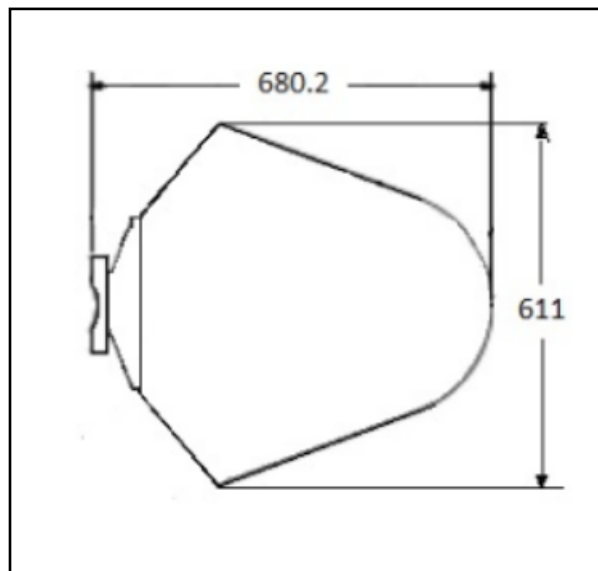
MS-MBA-8

**Velocity [km/h]**

150

**Dimensions: [mm]**

1636



## Results

	<b>Frontal</b>	<b>Lateral</b>	<b>Rear</b>
Profile Drag Coefficient	1.1	1.42	1.29
Antenna Correction Coefficient	0.6	0.6	0.6
Antenna Drag Coefficient	0.66	0.85	0.77
Wind Load [N/lbf]	701 / 157.6	1007 / 226.4	822 / 184.8
Effective Drag Area (m <sup>2</sup> /ft <sup>2</sup> )	0.66 / 7.1	0.95 / 10.2	0.77 / 8.33