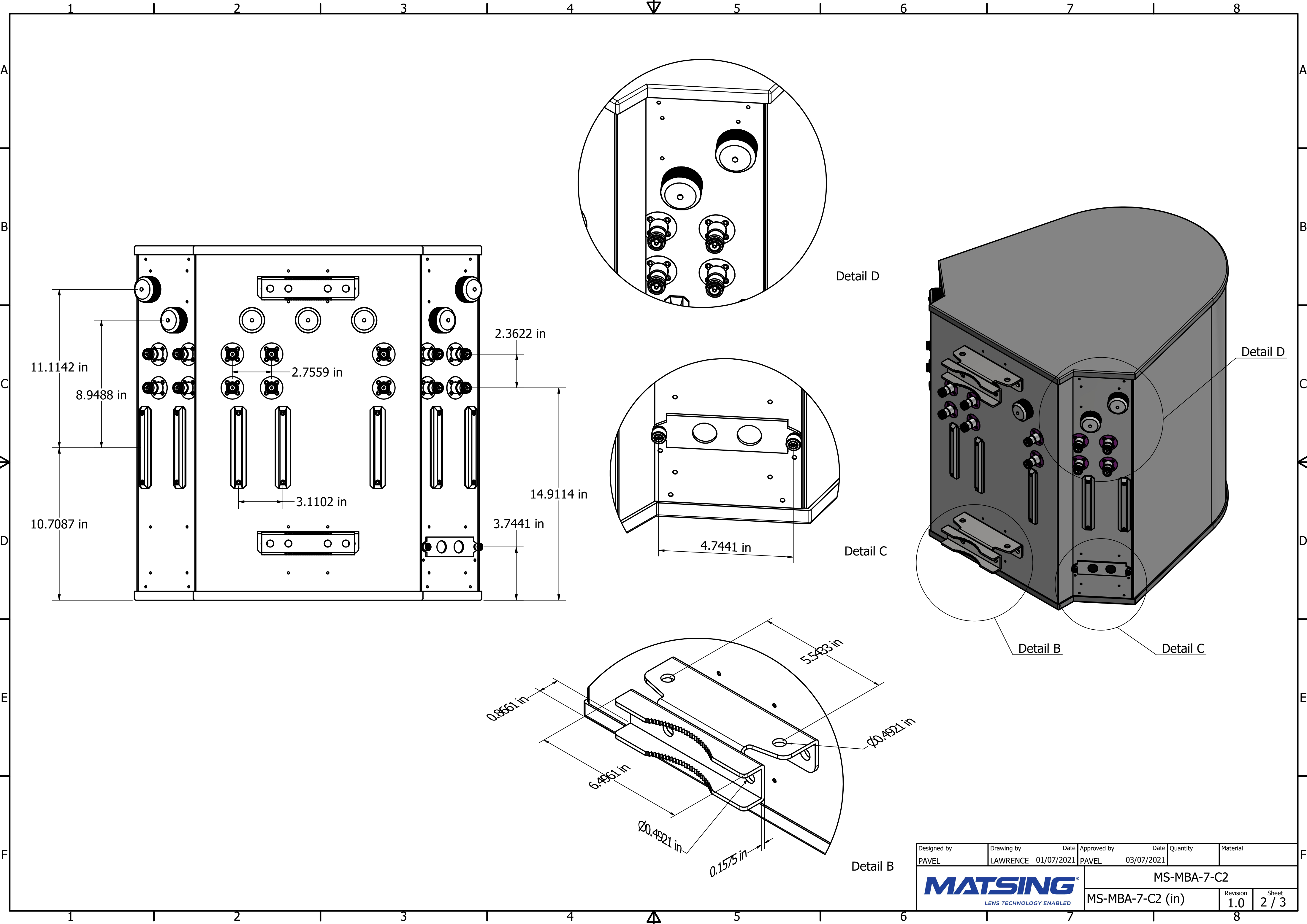
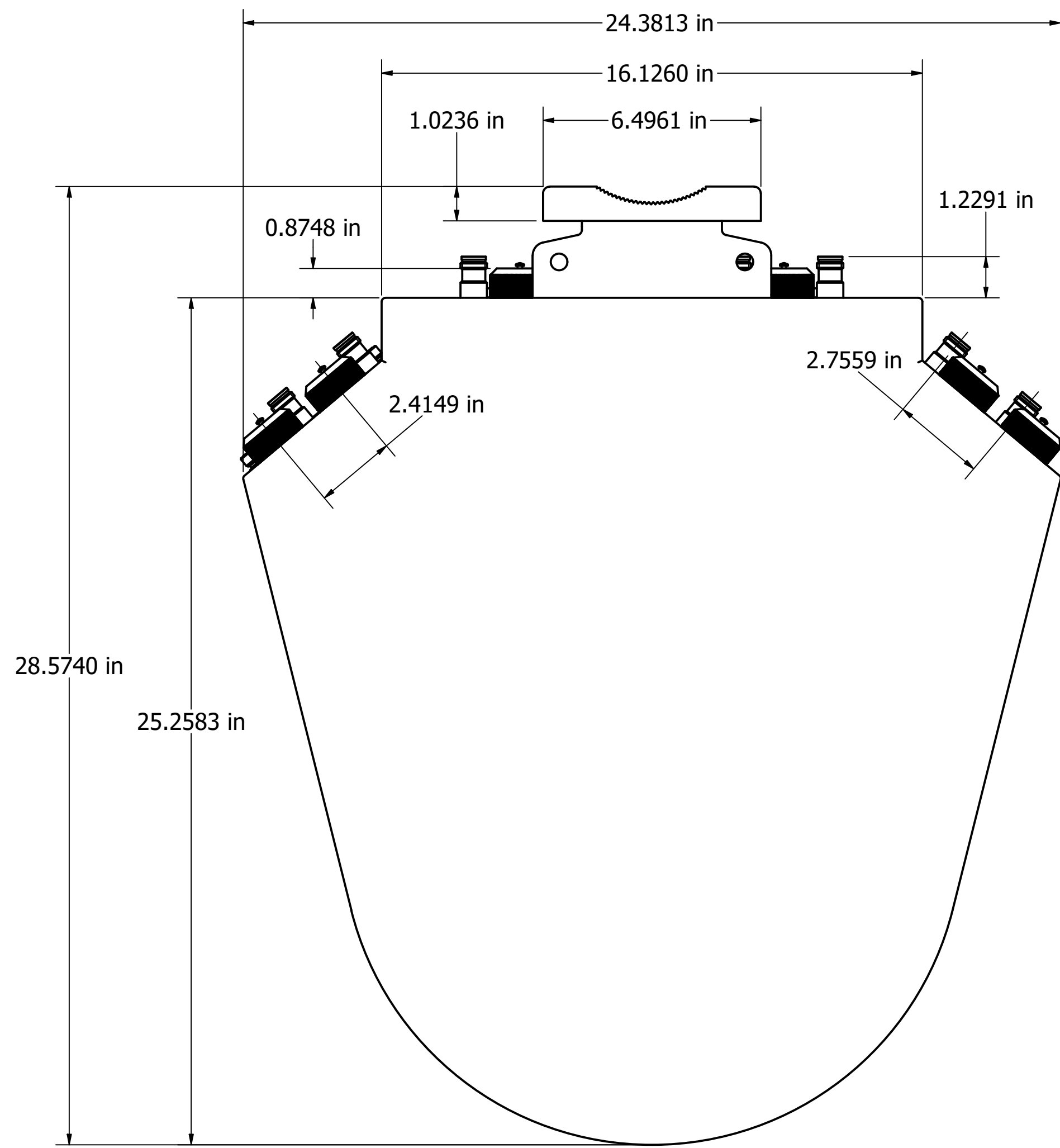


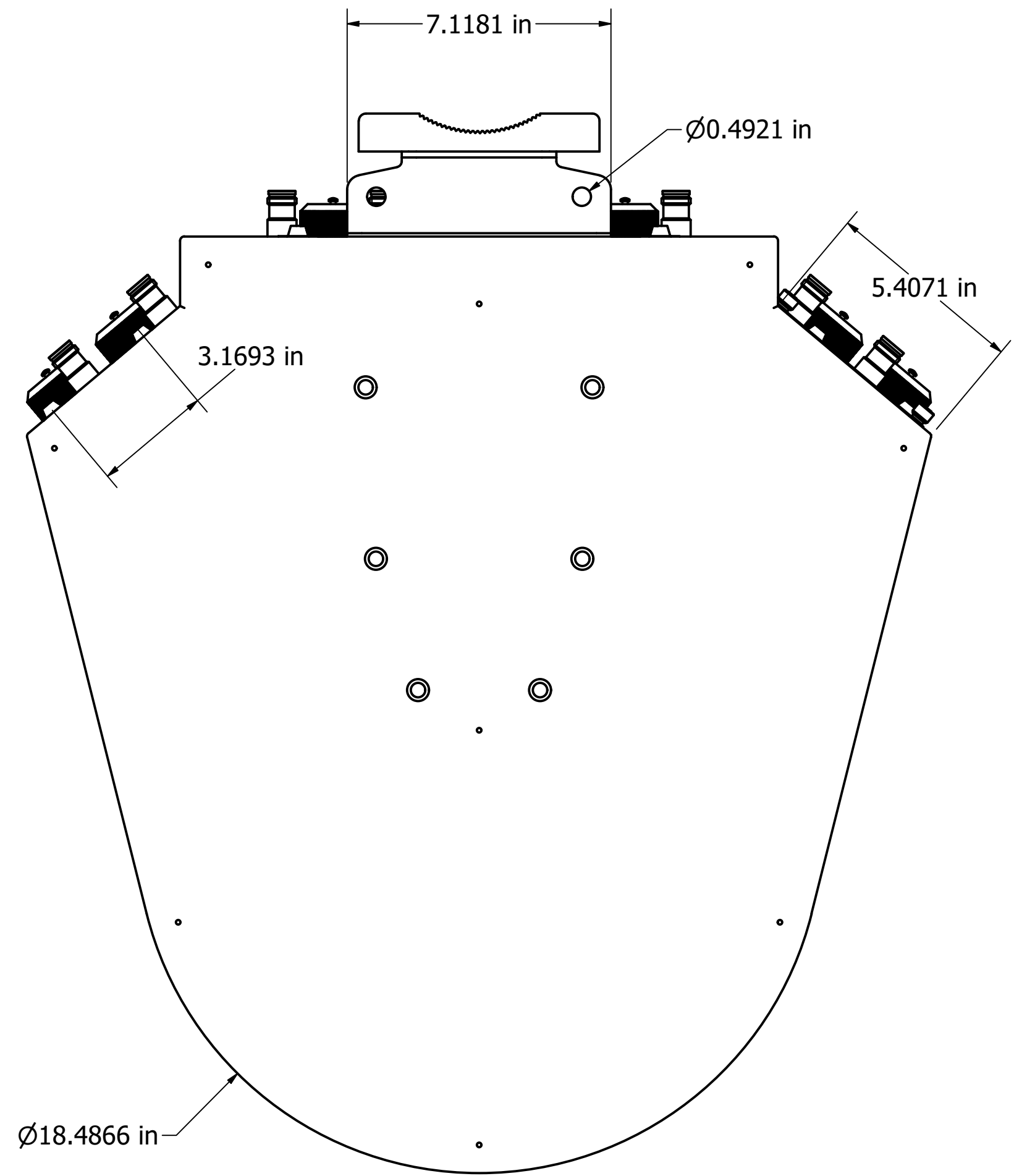
Designed by PAVEL	Drawing by LAWRENCE	Date 01/07/2021	Approved by PAVEL	Date 03/07/2021	Quantity	Material
<b>MATSING</b> LENS TECHNOLOGY ENABLED						MS-MBA-7-C2
MS-MBA-7-C2 (in)					Revision 1.0	Sheet 1 / 3



Designed by PAVEL	Drawing by LAWRENCE	Date 01/07/2021	Approved by PAVEL	Date 03/07/2021	Quantity	Material
<b>MATSING</b> LENS TECHNOLOGY ENABLED						MS-MBA-7-C2
MS-MBA-7-C2 (in)					Revision 1.0	Sheet 2 / 3



Top View



Bottom View

Designed by	Drawing by	Date	Approved by	Date	Quantity	Material
PAVEL	LAWRENCE	01/07/2021	PAVEL	03/07/2021		
<b>MATSING</b> LENS TECHNOLOGY ENABLED						MS-MBA-7-C2
						MS-MBA-7-C2 (in)
						Revision 1.0
						Sheet 3 / 3