
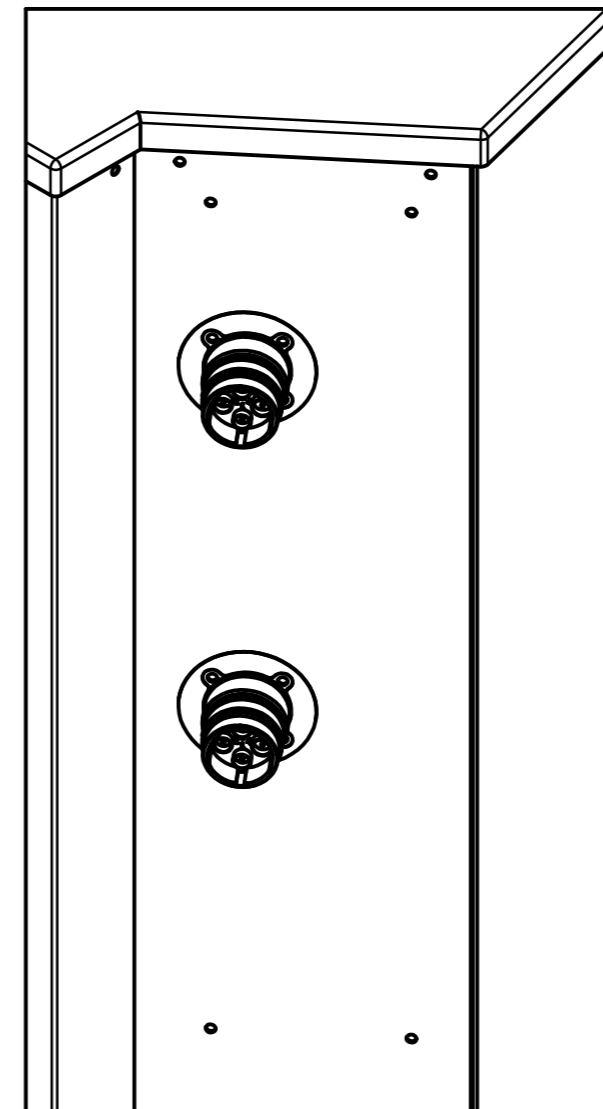
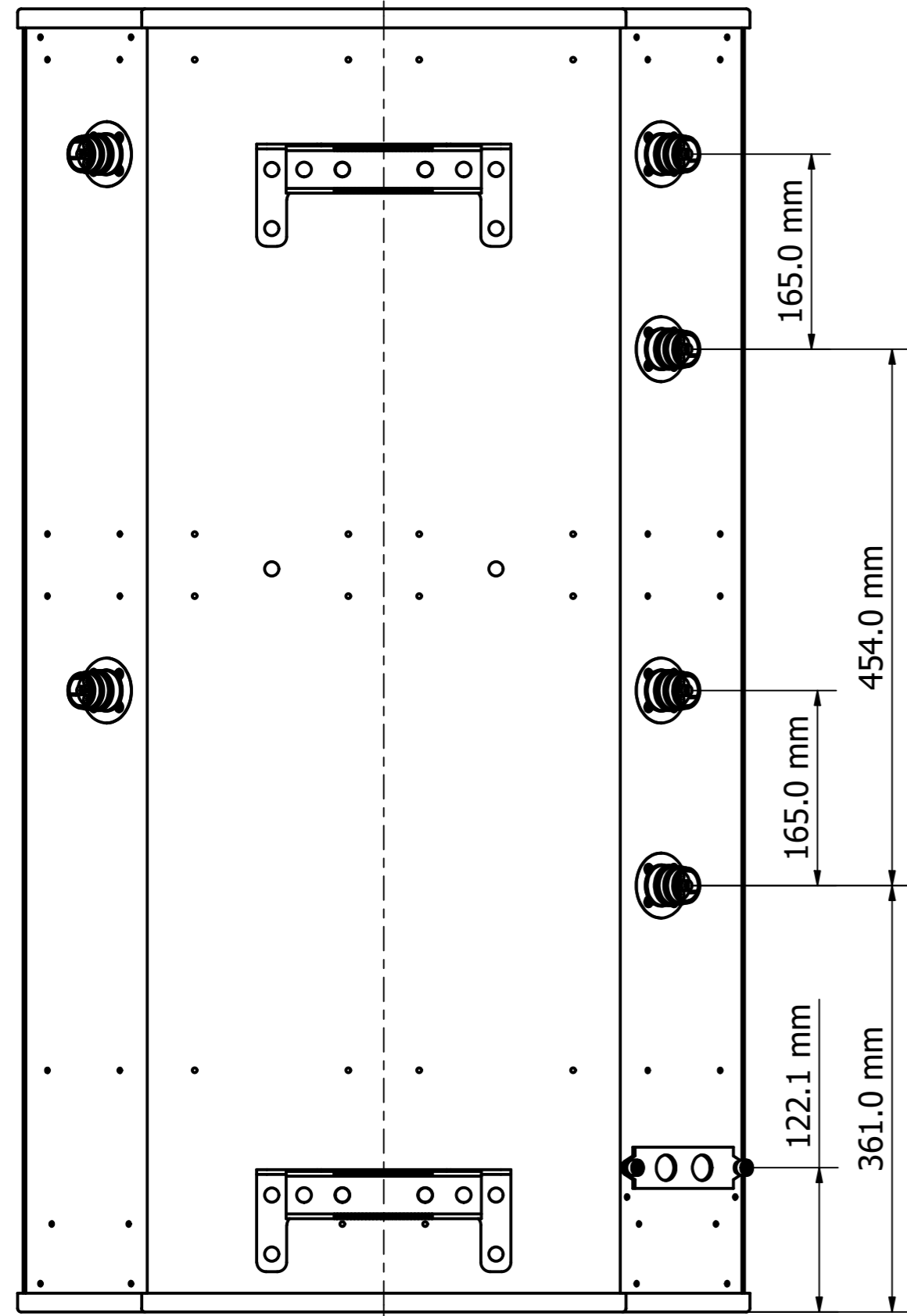
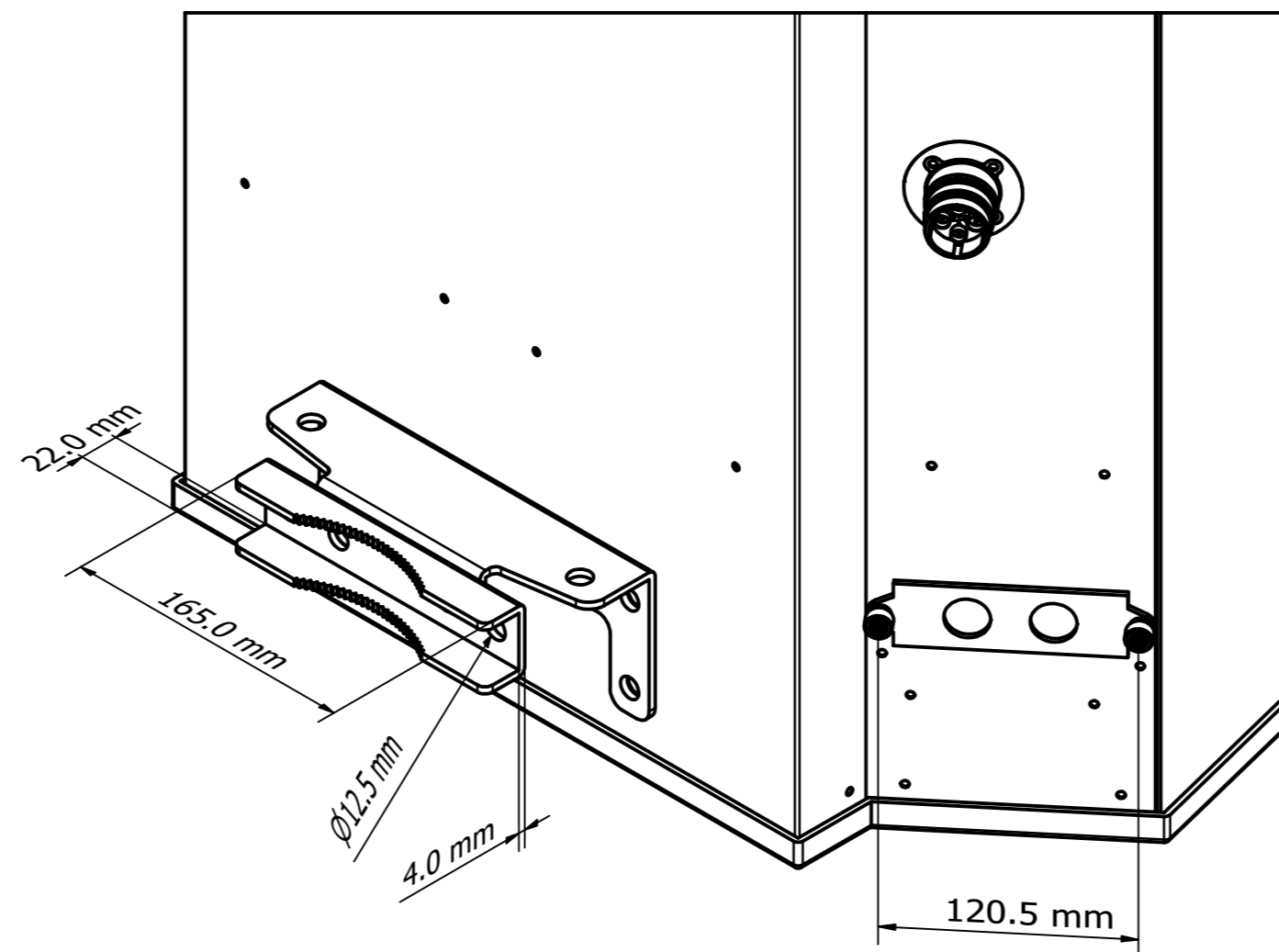


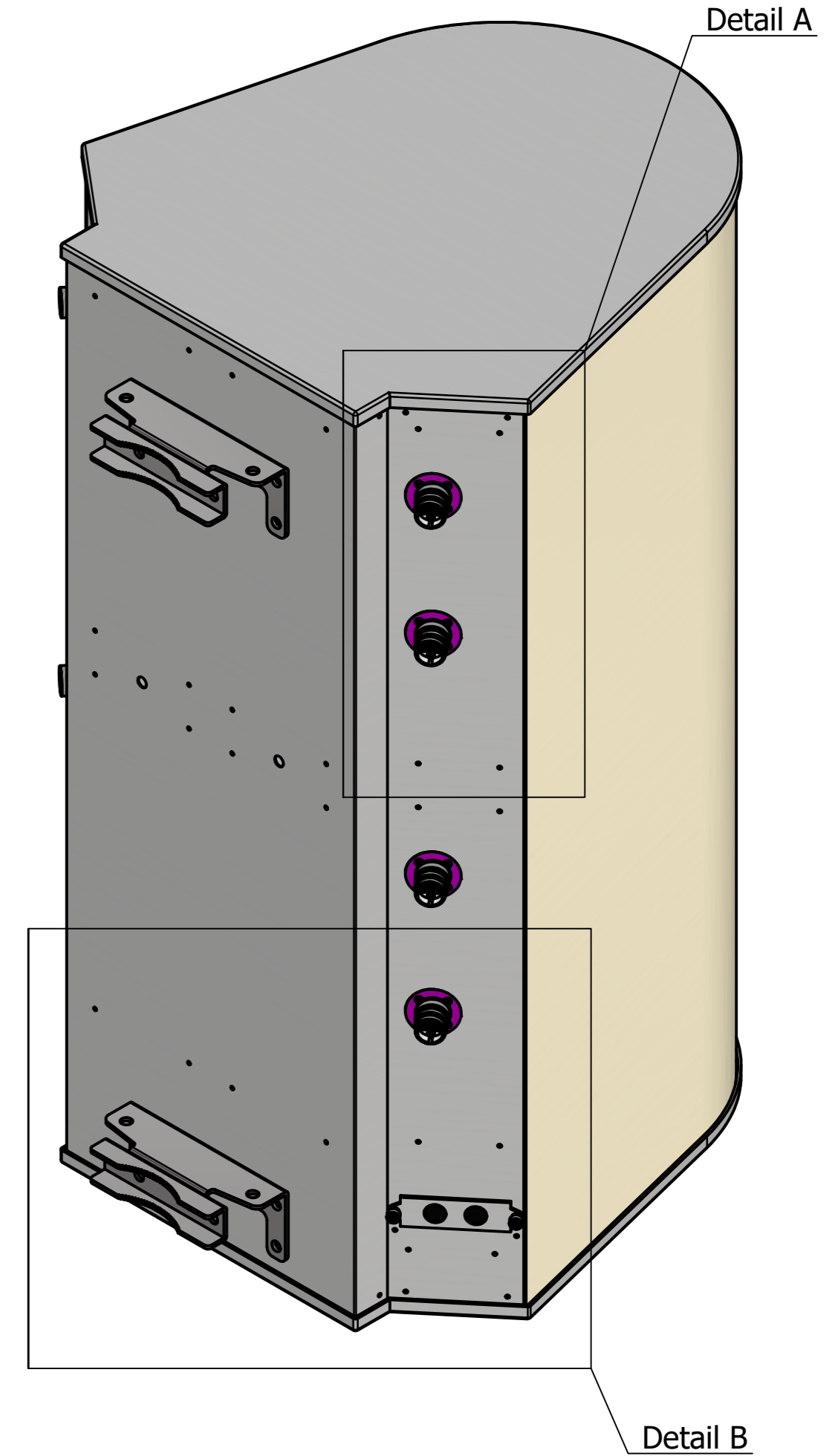
Designed by VIGNESH	Drawing by LAWRENCE	Date 26/9/2023	Approved by PAVEL	Date 27/9/2023	Quantity	Material
						MS-MBA-6.6-F2-F2-45M
						MS-MBA-6.6-F2-F2-45M (mm)



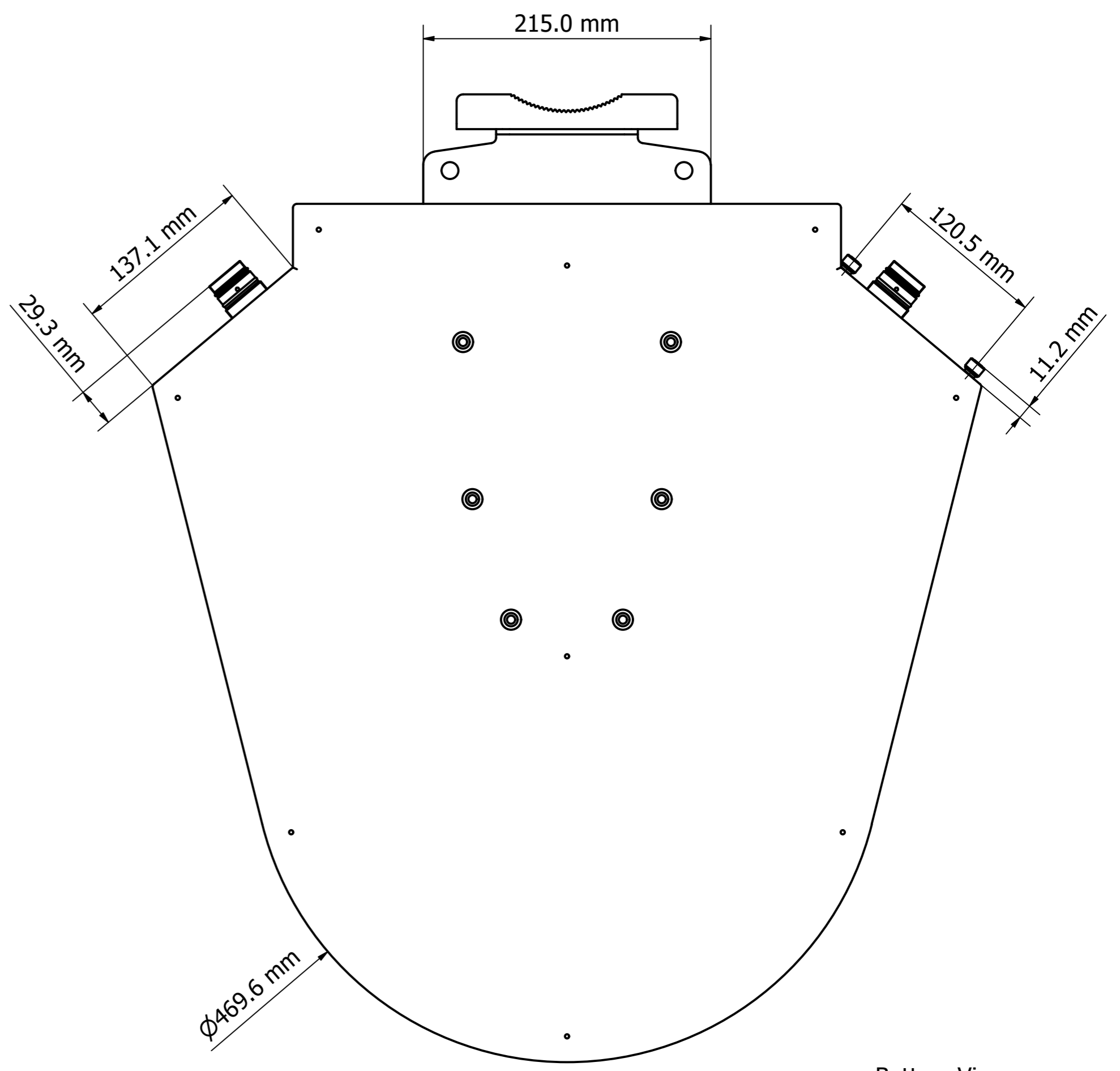
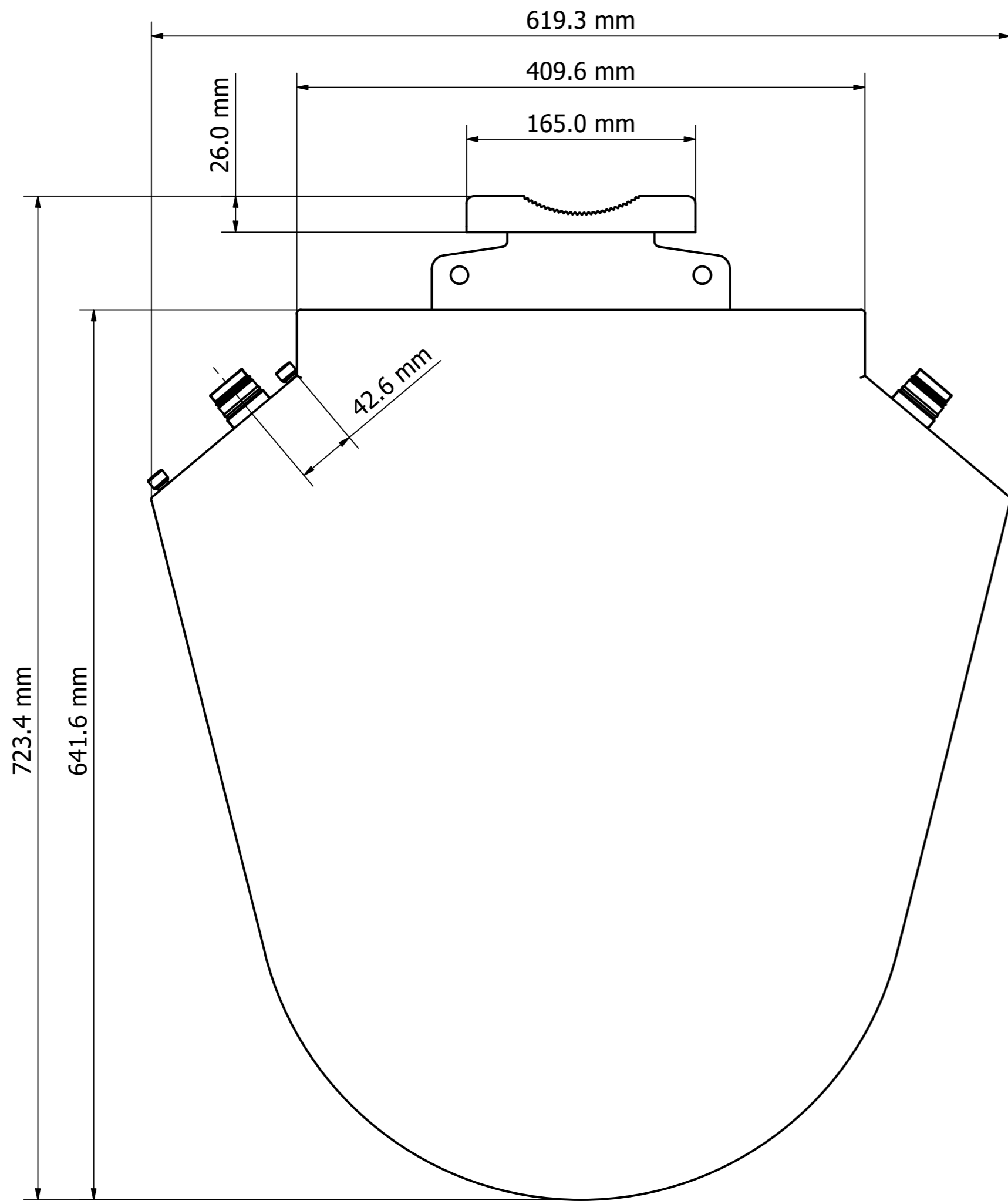
Detail A




Detail B



Designed by	Drawing by	Date	Approved by	Date	Quantity	Material
VIGNESH	LAWRENCE	26/9/2023	PAVEL	27/9/2023		
<b>MATSING</b> LENS TECHNOLOGY ENABLED						MS-MBA-6.6-F2-F2-45M
						MS-MBA-6.6-F2-F2-45M (mm)
						Revision 3.0
						Sheet 2 / 3



Designed by VIGNESH	Drawing by LAWRENCE	Date 26/9/2023	Approved by PAVEL	Date 27/9/2023	Quantity	Material
						MS-MBA-6.6-F2-F2-45M
						MS-MBA-6.6-F2-F2-45M (mm)