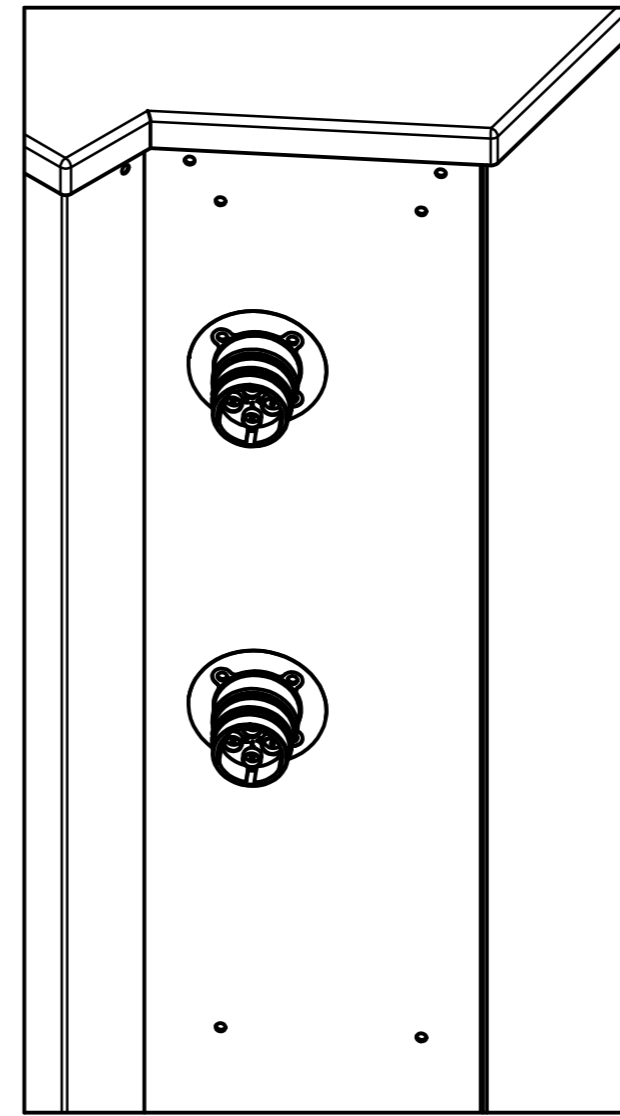
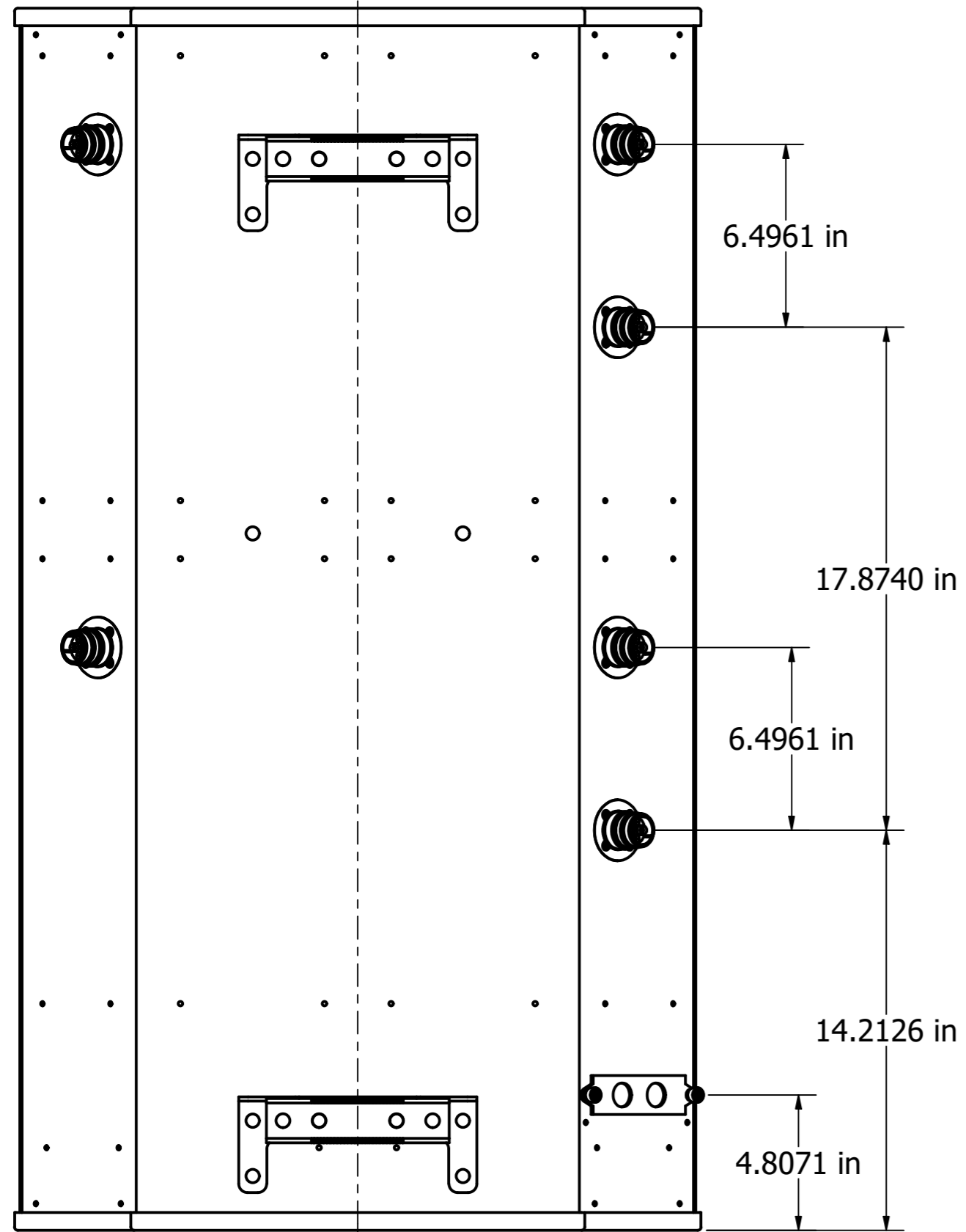
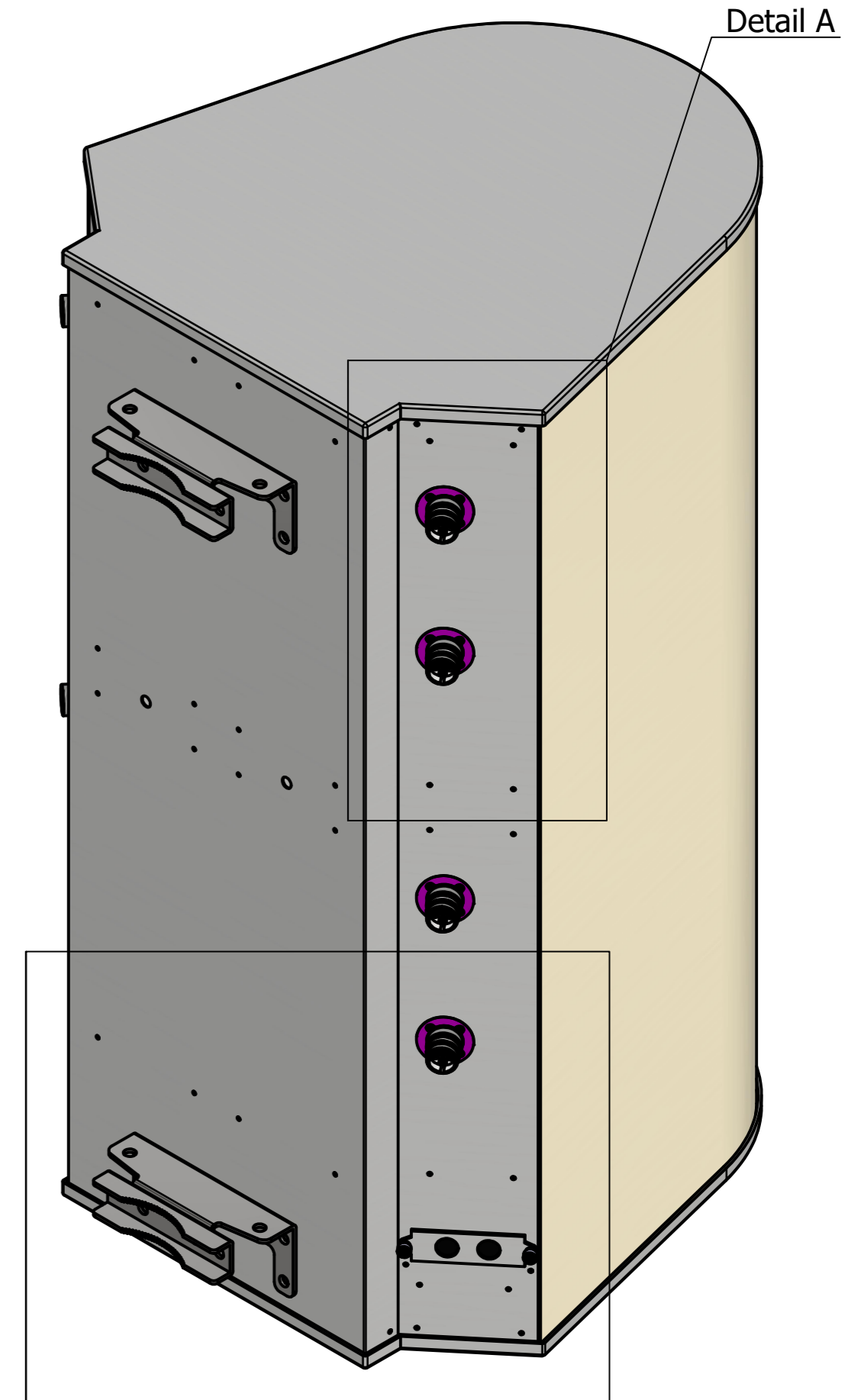


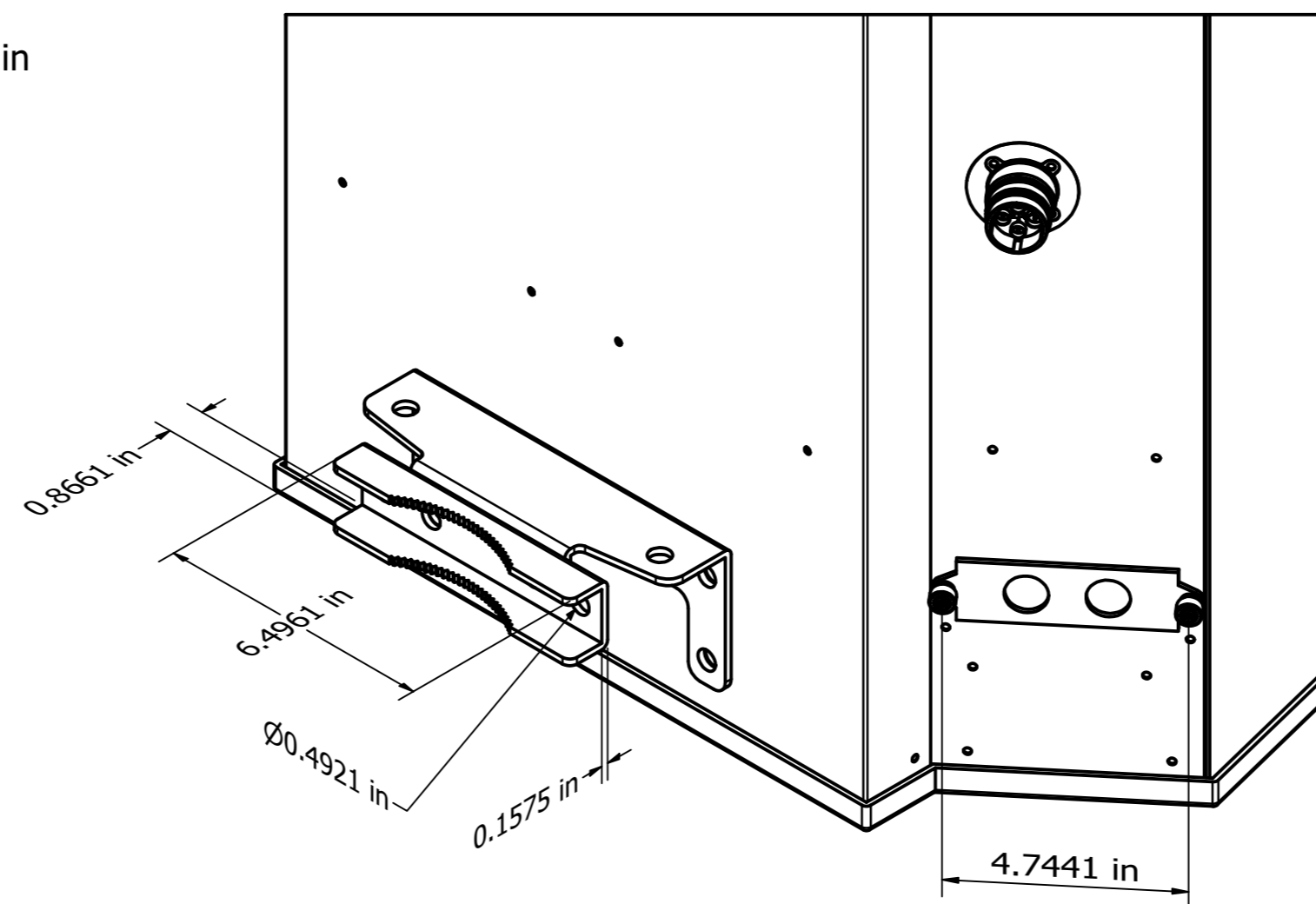
Designed by	Drawing by	Date	Approved by	Date	Quantity	Material
VIGNESH	LAWRENCE	26/9/2023	PAVEL	27/9/2023		MS-MBA-6.6-F2-F2-45M
						MS-MBA-6.6-F2-F2-45M (in)
						Revision 3.0



Detail A

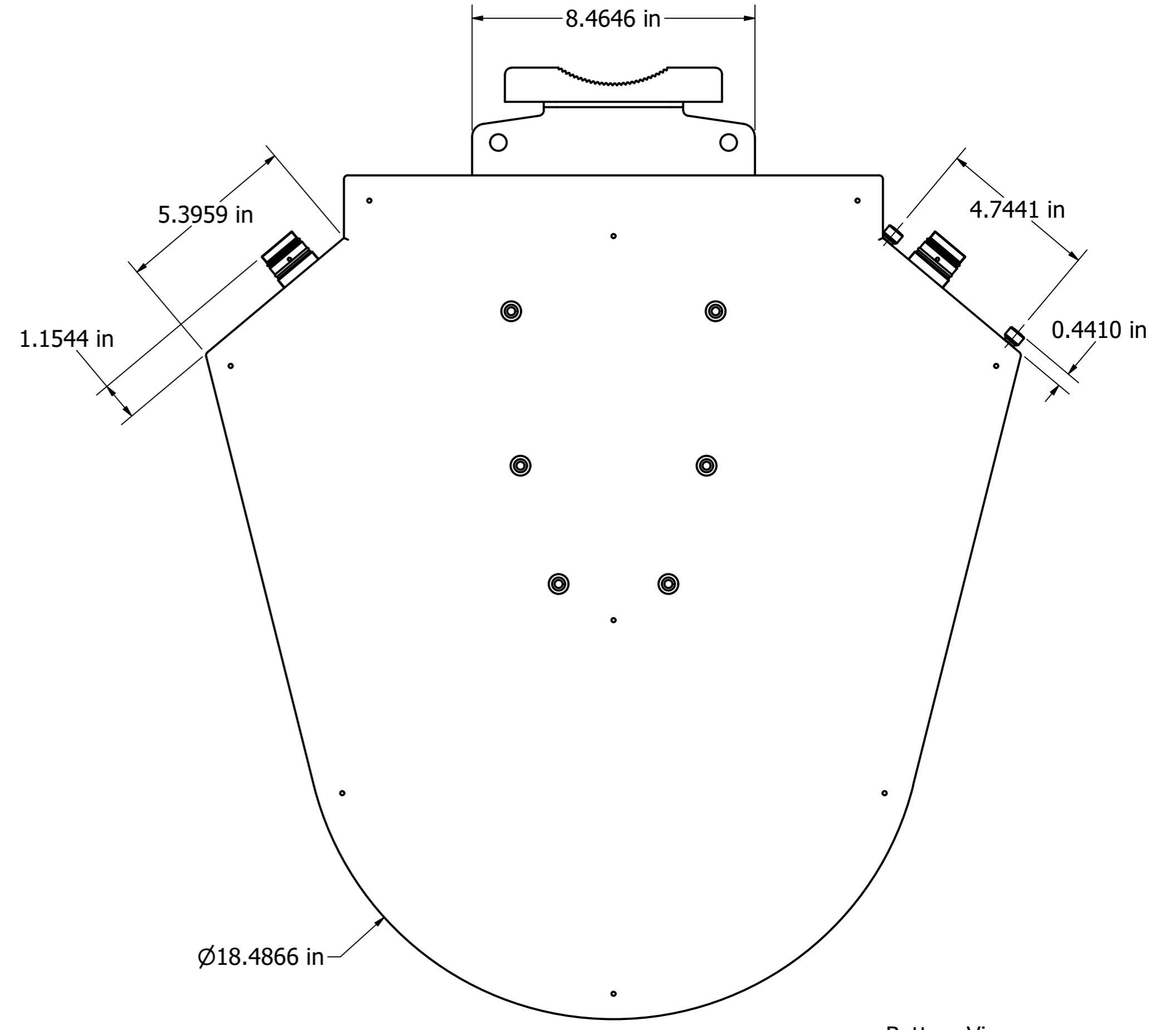
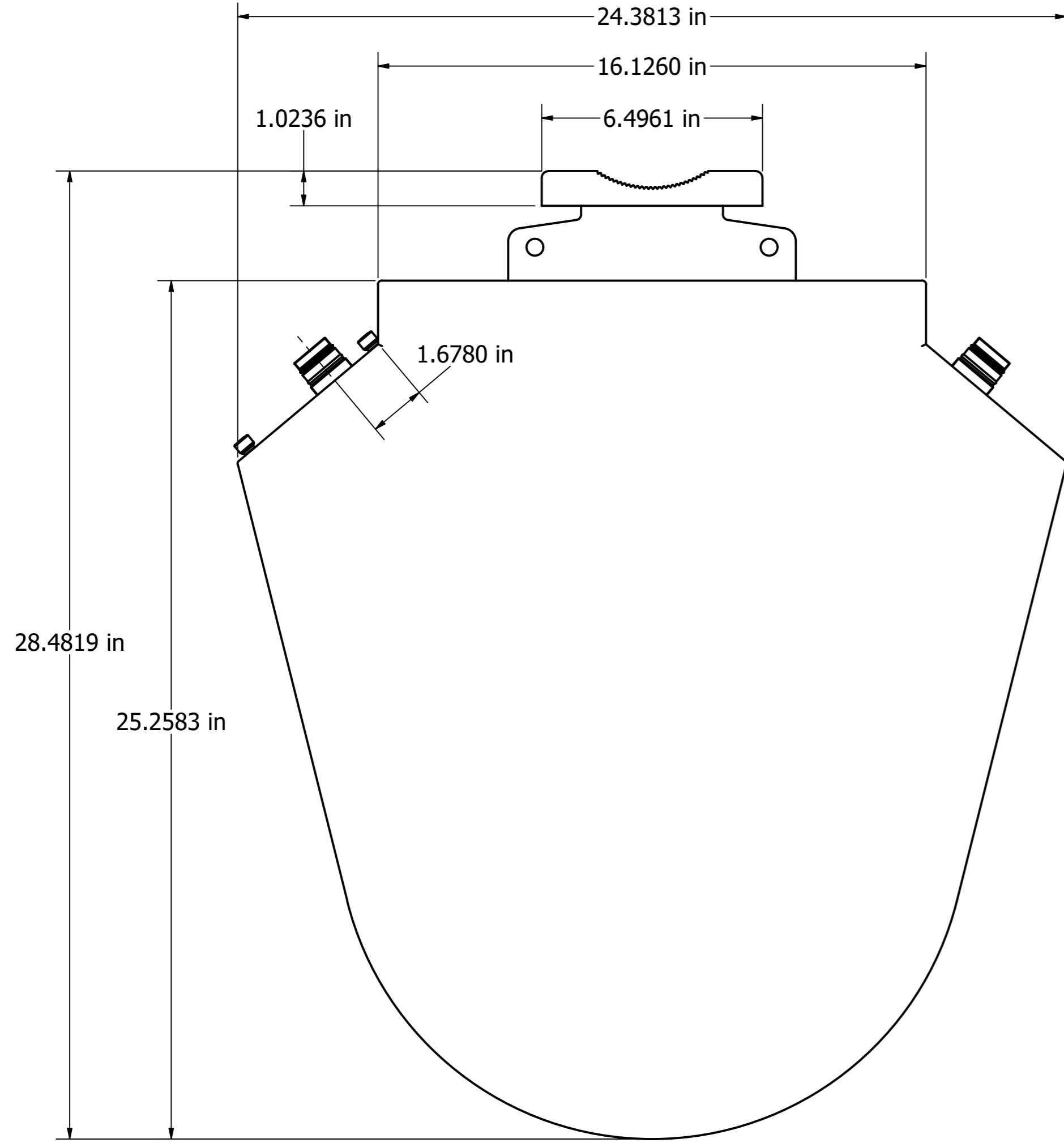


Detail B



Detail B

Designed by	Drawing by	Date	Approved by	Date	Quantity	Material
VIGNESH	LAWRENCE	26/9/2023	PAVEL	27/9/2023		
MATSING						MS-MBA-6.6-F2-F2-45M
LENS TECHNOLOGY ENABLED						MS-MBA-6.6-F2-F2-45M (in)
					Revision	Sheet
					3.0	2 / 3



Designed by VIGNESH	Drawing by LAWRENCE	Date 26/9/2023	Approved by PAVEL	Date 27/9/2023	Quantity	Material
MATSING LENS TECHNOLOGY ENABLED						MS-MBA-6.6-F2-F2-45M
MS-MBA-6.6-F2-F2-45M (in)					Revision 3.0	Sheet 3 / 3