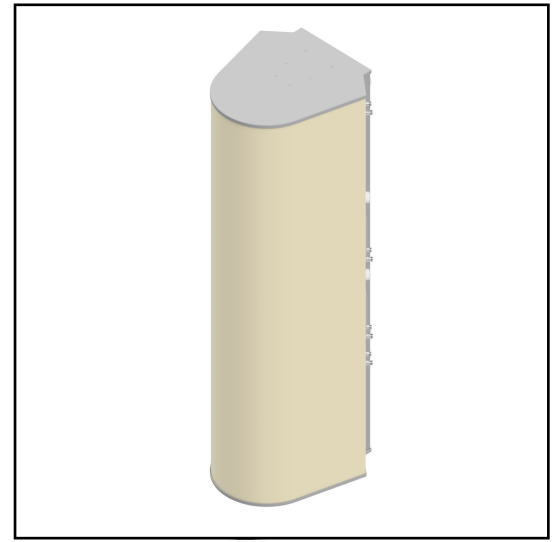


MS-MBA-6.3-H4-T4 Multi-beam Base-Station Antenna (MBA)

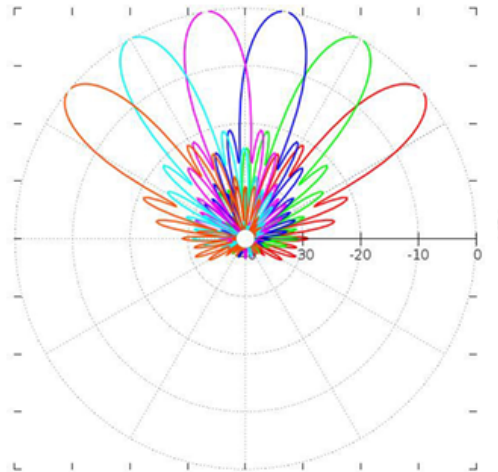
Lens Technology Enabled™ Multi-Beam Base-Station Antenna perfect for 6 high-band sectors and 3 low-band LTE cell site deployment for best CINR results. Utilizes a patented spherical lens design with 6 isolated high-frequency (1695-2690MHz) cross-polarized beams and 3 isolated low-frequency (617- 896MHz) cross-polarized beams.

Each high frequency beam and low-frequency beam is made of two independent antennas and has 4 ports. There are two independent tilt settings per beam (0-15° for HB and 0-20° for LB) for each pair of cross-polarized elements.

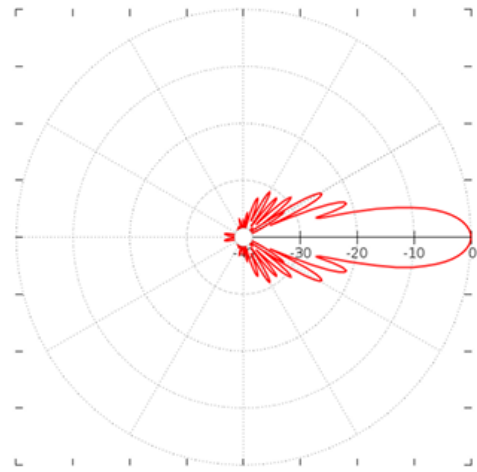


PATTERN RESULTS:

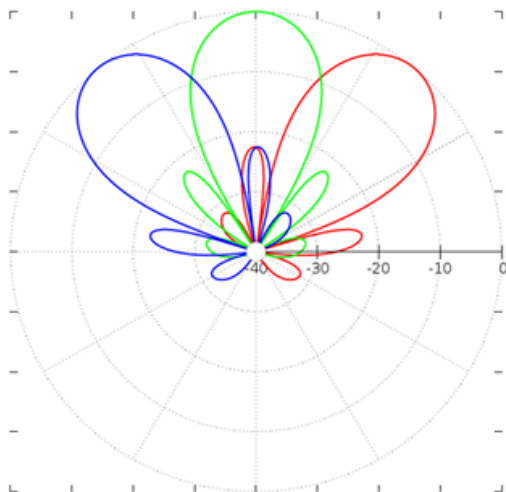
High-Band Horizontal Pattern (1.80GHz)



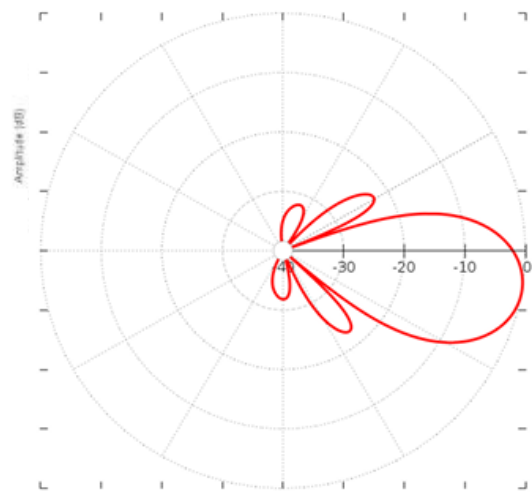
High-Band Vertical pattern 0° tilt and 15° tilt (1.80GHz)



Low-Band Horizontal Pattern (750MHz)



Low-Band Vertical Pattern 0° tilt and 20° tilt (750MHz)



TECHNICAL SPECIFICATIONS PER BEAM

Frequency	1695-2690 MHz	617-896 MHz
Gain	21dBi	16dBi
VSWR	<1.5:1	<1.5:1
Polarization	Dual Slant ±45°	Dual Slant ±45°
Horizontal Coverage	120°	120°
Horizontal Beamwidth (10dB level)	22°	43°
Horizontal Beamwidth (3dB level)	13°	25°
Vertical Beamwidth (10dB level)	22°	43°
Vertical Beamwidth (3dB level)	13°	25°
Beam Cross-over	10dB typical	10dB typical
Total Number of Beams	6	3
Number of Ports per Beam	4	4
Number of Ports Total	24	12
Tilt Per Cross-Pol	0° to 15°	0° to 20°
First Sidelobe Level	<-16dB	<-15dB
Front to Back Ratio	>28dB	>28dB
Isolation Port to Port - Polarization	>28dB	>28dB
Isolation Port to Port - Beam	>28dB	>26dB
Power Rating	200W per port	250W per port
Intermodulation	<-153dBc	<-153dBc
Impedance	50 ohm	50 ohm
Connector Quantity and Type	24 x 4.3-10 female	12 x 4.3-10 female

MECHANICAL DATA

Dimensions (H x W x D)	241.8 x 93.4 x 108.4cm 95.2 x 36.8 x 42.7inch
Antenna Weight	130kg/287/lbs [w/o Bracket] 131.6kg/290.1lbs [w/Bracket]
Radome Material	Fiber Glass
Mounting	2 position pipe mount Compatible pipe diameter: 6.1 – 11.4 cm 2.4 – 4.5 inch

ENVIRONMENTAL RATINGS

Humidity	95% RH @ +30°C
Temperature	-40°C to +70°C
Wind load @ 150km/h	N/Ibf Frontal: 1445/324.9 Lateral: 2037/458 Rear: 2313/520

CONNECTOR LAYOUT:

