

Wind Load

Antenna MS-MBA-6.3-H4-T2

Antenna Model Number

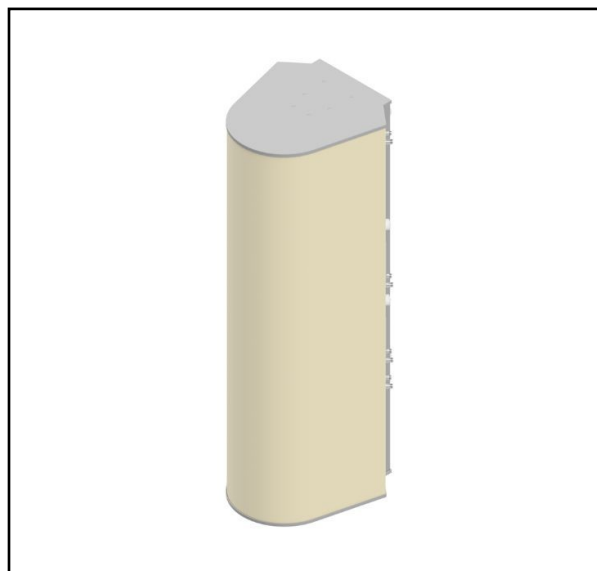
MS-MBA-6.3-H4-T2

Velocity [km/h]

150

Dimensions: [HxWxD mm]

2440 x 910 x 910



Results

	Frontal	Lateral	Rear
Profile Drag Coefficient	1	1.35	1.6
Antenna Correction Coefficient	0.6	0.6	0.6
Antenna Drag Coefficient	0.6	0.81	0.96
Wind Load [N/lbf]	1445/324.9	2036/457.7	2312/519.8