

INSTRUCTION MANUAL MS-MBA-6-LAA2

TABLE OF CONTENTS:

1.00 BEAMS & CONNECTORS:

- 1.10 Resultant Beam Layout-Plan View
- 1.20 HB and LB Connector
- 1.30 Connector Layout
- 1.40 Connector Ports Table

2.00 PATTERN DIAGRAM

- 2.10 High Band

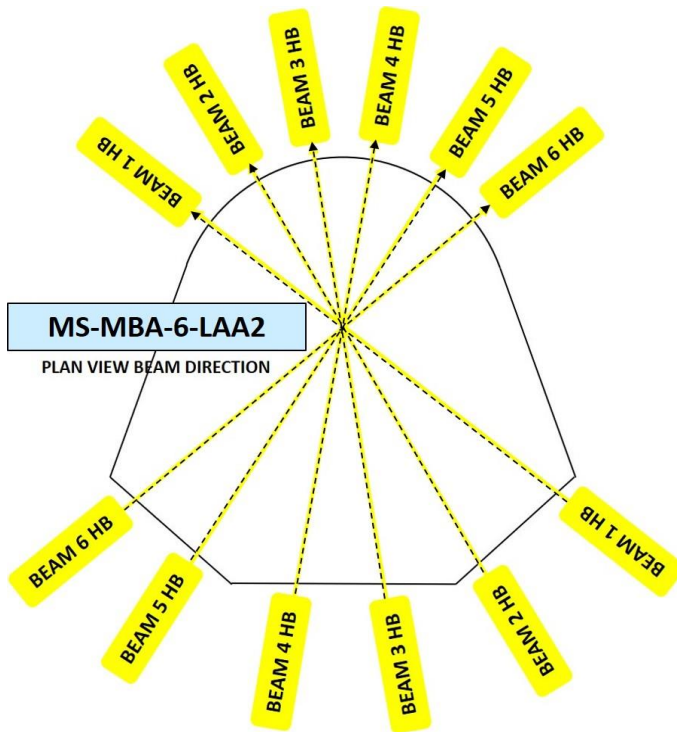
3.00 MANUAL TILT ADJUSTMENT

Revision History:

| Date | Description | Revised by | Revision nos. |
|------|-------------|------------|---------------|
| | | | |
| | | | |
| | | | |

1.00 BEAMS & CONNECTORS:

1.10 Resultant Beam Layout-Plan View

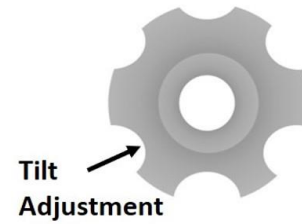
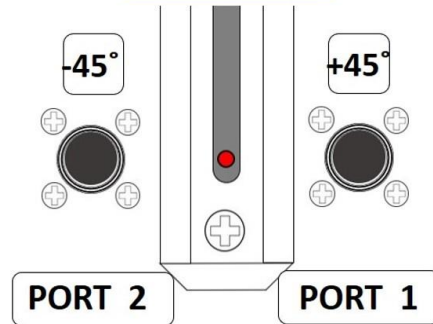


1.20 HB Connector

MS-MBA-6-LAA2

HB CONNECTOR

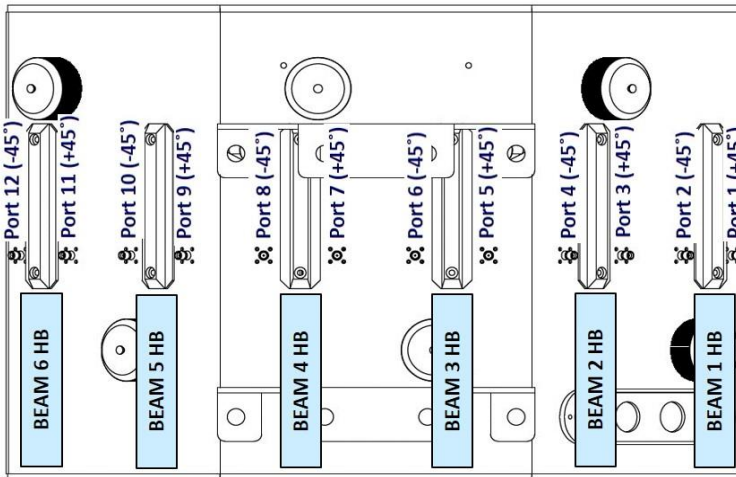
BEAM 1 HB



1.30 Connector Layout

MS-MBA-6-LAA2

REAR VIEW CONNECTOR LAYOUT

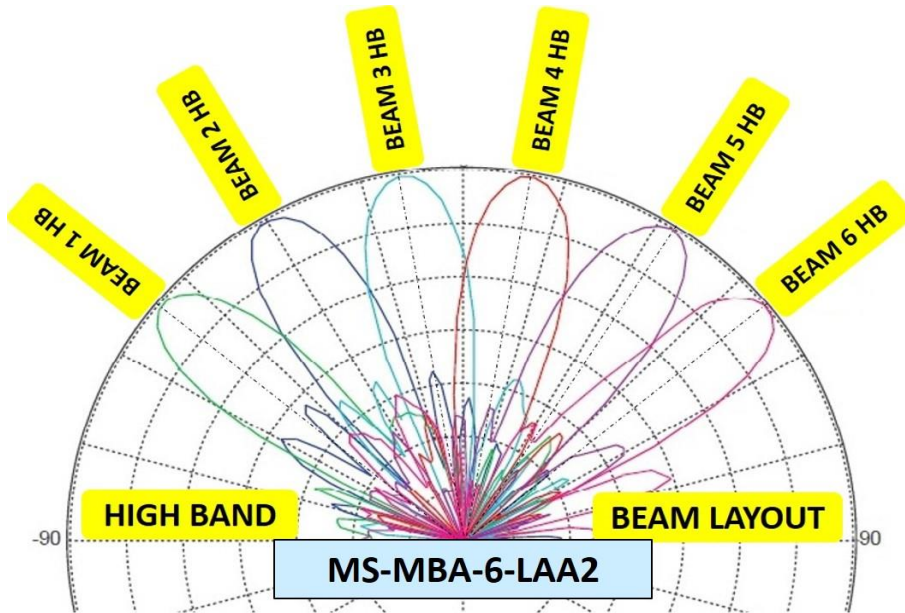


1.40 Connector Ports Table

| BEAM 6 HB | | BEAM 5 HB | | BEAM 4 HB | | BEAM 3 HB | | BEAM 2 HB | | BEAM 1 HB | |
|-----------|---------|-----------|--------|-----------|--------|-----------|--------|-----------|--------|-----------|--------|
| Port 12 | Port 11 | Port 10 | Port 9 | Port 8 | Port 7 | Port 6 | Port 5 | Port 4 | Port 3 | Port 2 | Port 1 |
| (-45°) | (+45°) | (-45°) | (+45°) | (-45°) | (+45°) | (-45°) | (+45°) | (-45°) | (+45°) | (-45°) | (+45°) |

2.00 PATTERN DIAGRAM

2.10 High Band



3.00 MANUAL TILT ADJUSTMENT

| | |
|---|--|
| 1 | The LAA antenna come in RET mode as default, but if needed can also be manually adjusted. To do so, please unscrew the waterproof cap behind the element whose tilt is to be adjusted. |
| 2 | By Default the knob is on engaged mode, pull out the handle for manual tilt adjustment, turn the handle to change the tilt. |
| 3 | When done, push the handle back in, screw the waterproof cap back to the position. |

