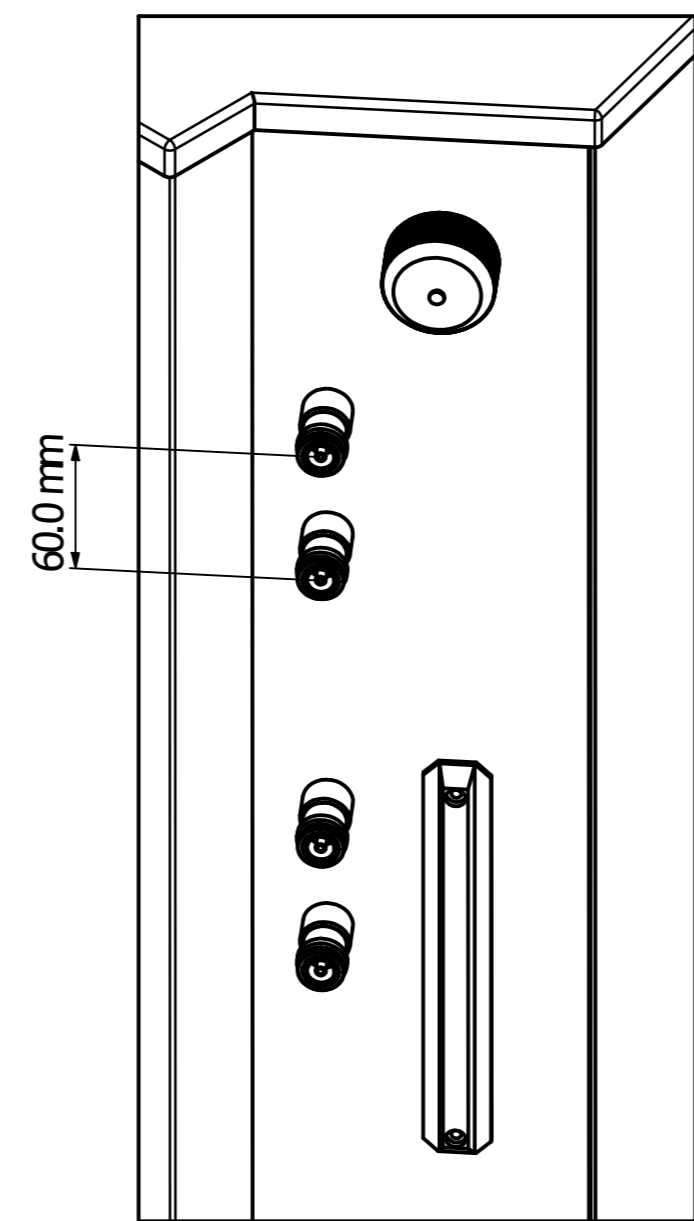
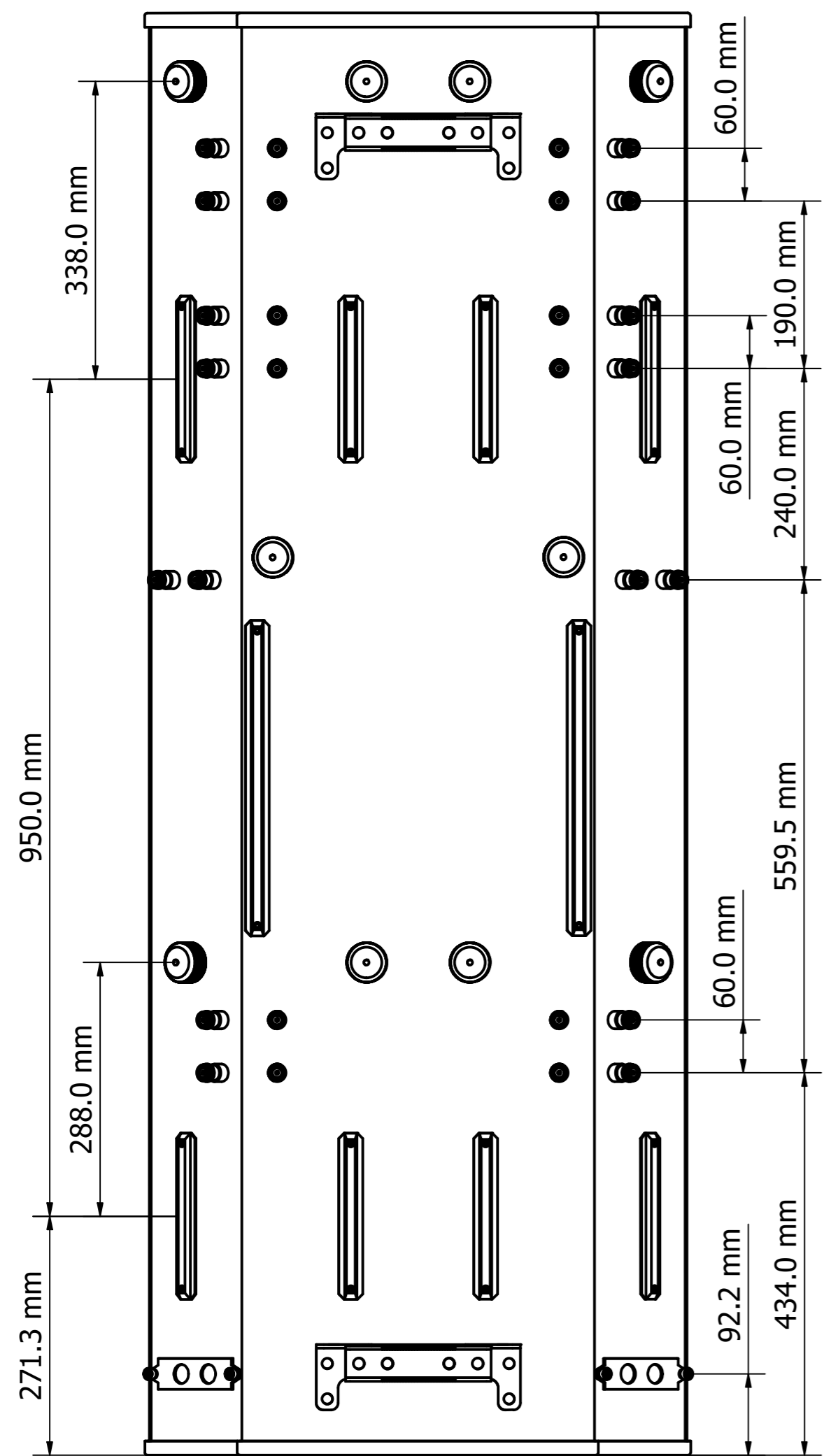
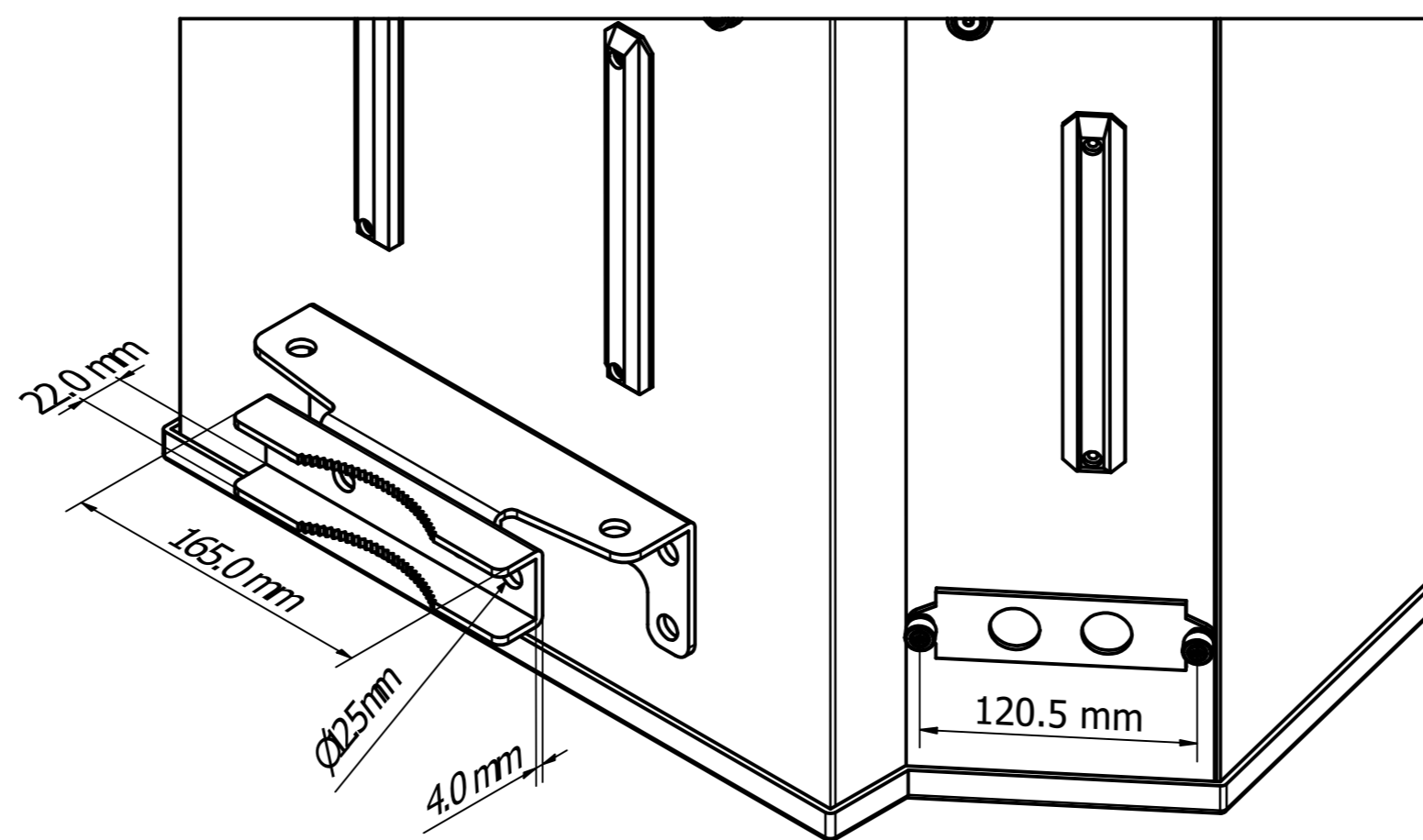


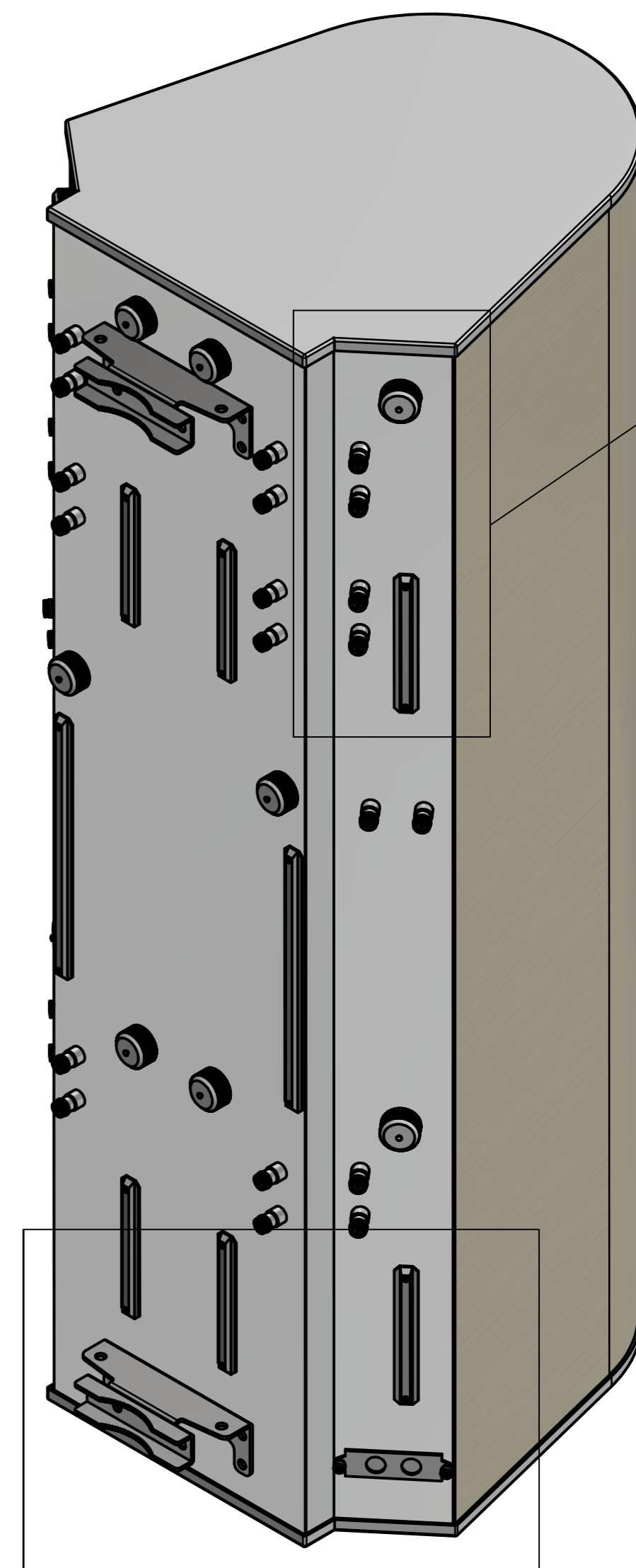
Designed by	Drawing by	Date	Approved by	Date	Quantity	Material	
PAVEL	LAWRENCE	09/04/2021	PAVEL	09/04/2021			
MATSING LENS TECHNOLOGY ENABLED							
MS-MBA-4.4.2-F4-H2-L2						Revision	Sheet
MS-MBA-4.4.2-F4-H2-L2 (mm)						1.0	1 / 3



Detail C



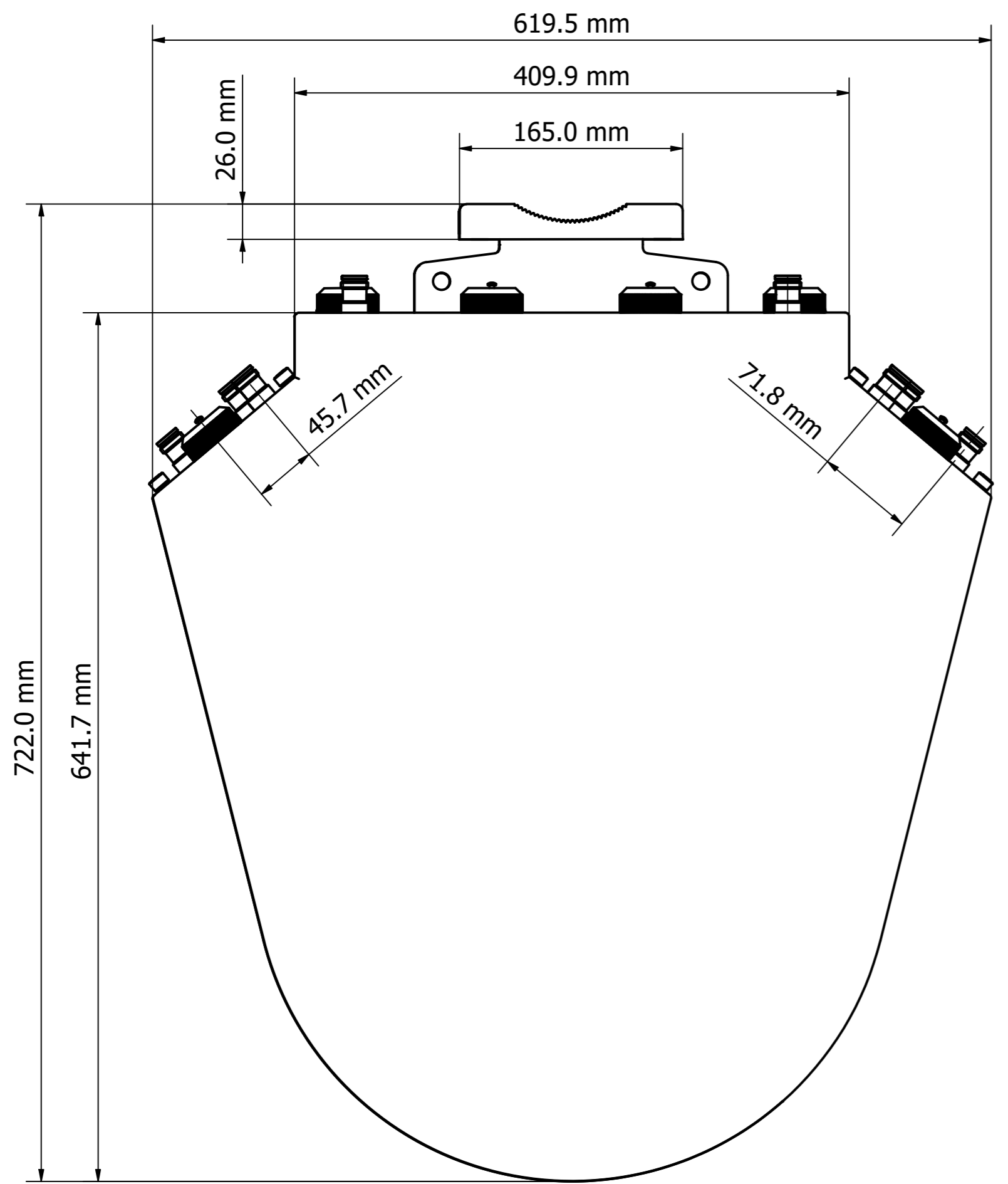
Detail B



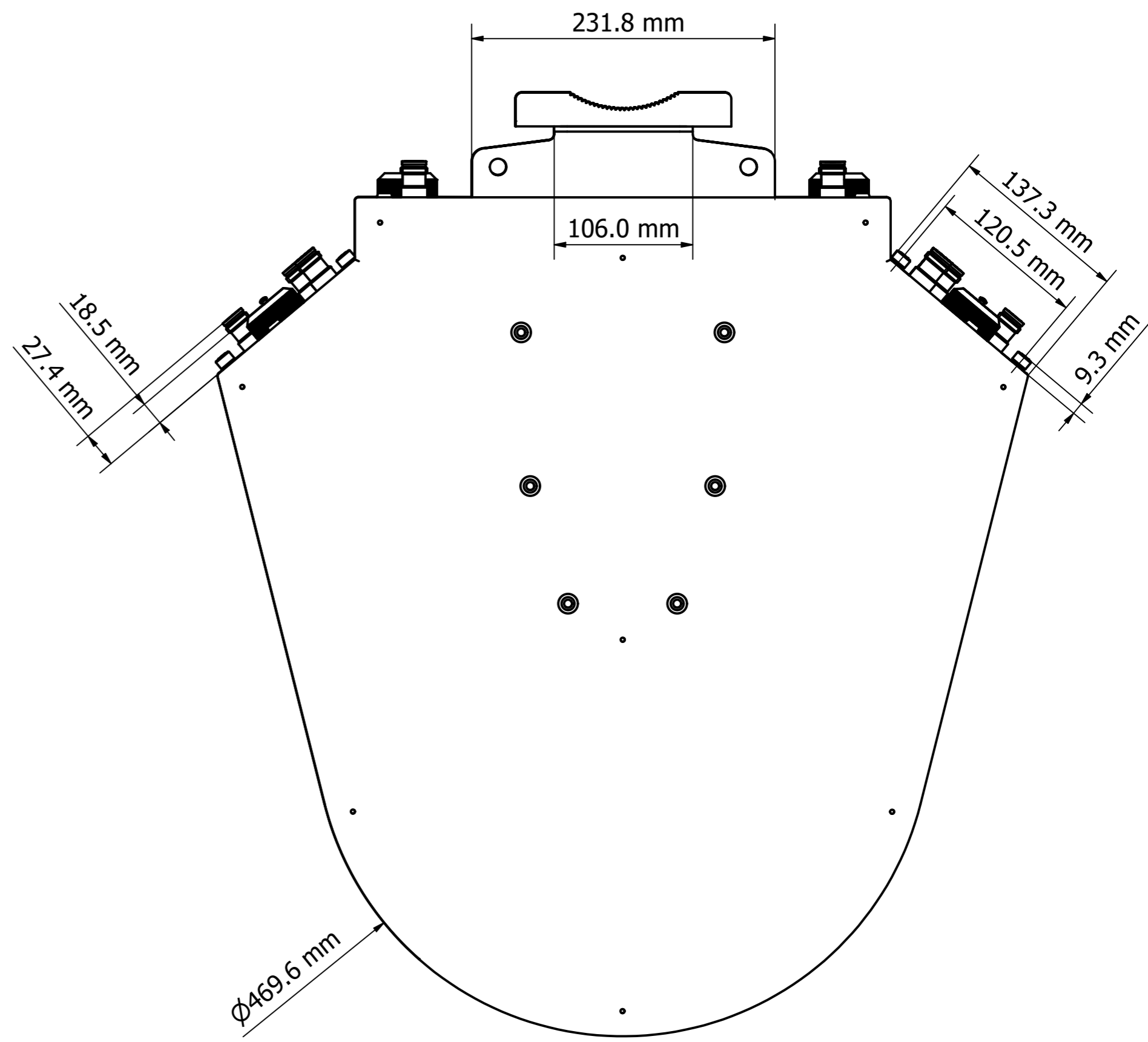
Detail B

Detail C


Designed by PAVEL	Drawing by LAWRENCE	Date 09/04/2021	Approved by PAVEL	Date 09/04/2021	Quantity	Material
MATSING						MS-MBA-4.4.2-F4-H2-L2
LENS TECHNOLOGY ENABLED						MS-MBA-4.4.2-F4-H2-L2 (mm)
					Revision 1.0	Sheet 2 / 3



Top View



Bottom View

Designed by PAVEL	Drawing by LAWRENCE	Date 09/04/2021	Approved by PAVEL	Date 09/04/2021	Quantity	Material
						MS-MBA-4.4.2-F4-H2-L2
						MS-MBA-4.4.2-F4-H2-L2 (mm)