

619.3 mm

1412.0 mm

609.9 mm

721.8 mm

64.1 mm

40.0 mm

22.0 mm (2x)

320.0 mm

117.2 mm

173.1 mm

392.8 mm

250.5 mm

497.2 mm

288.1 mm

271.3 mm

365.0 mm

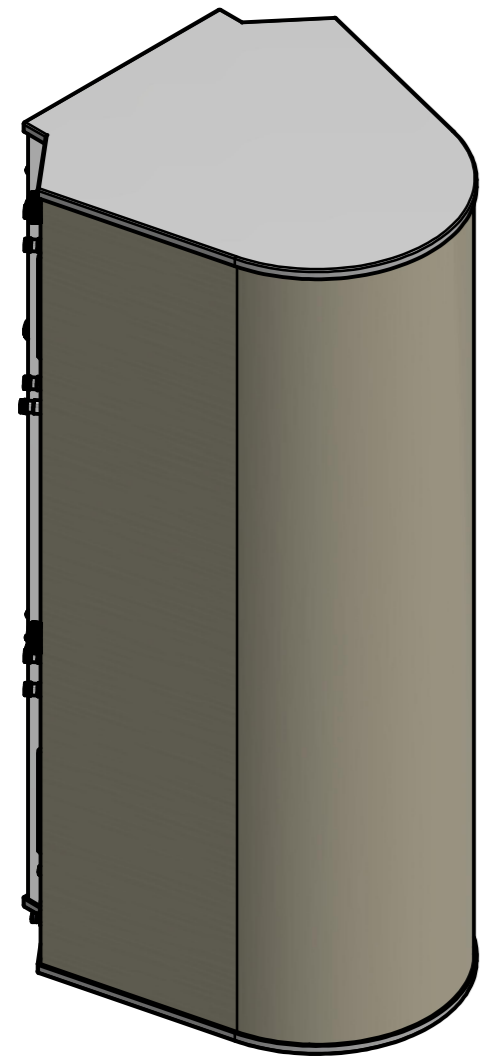
153.0 mm

1172.0 mm

104.0 mm

Ø12.5 mm (4x)

Detail A



136.9 mm

54.0 mm

26.2 mm

Ø469.6 mm

619.5 mm

231.6 mm

165.0 mm

641.7 mm

721.8 mm

Ø12.5 mm

135.0 mm

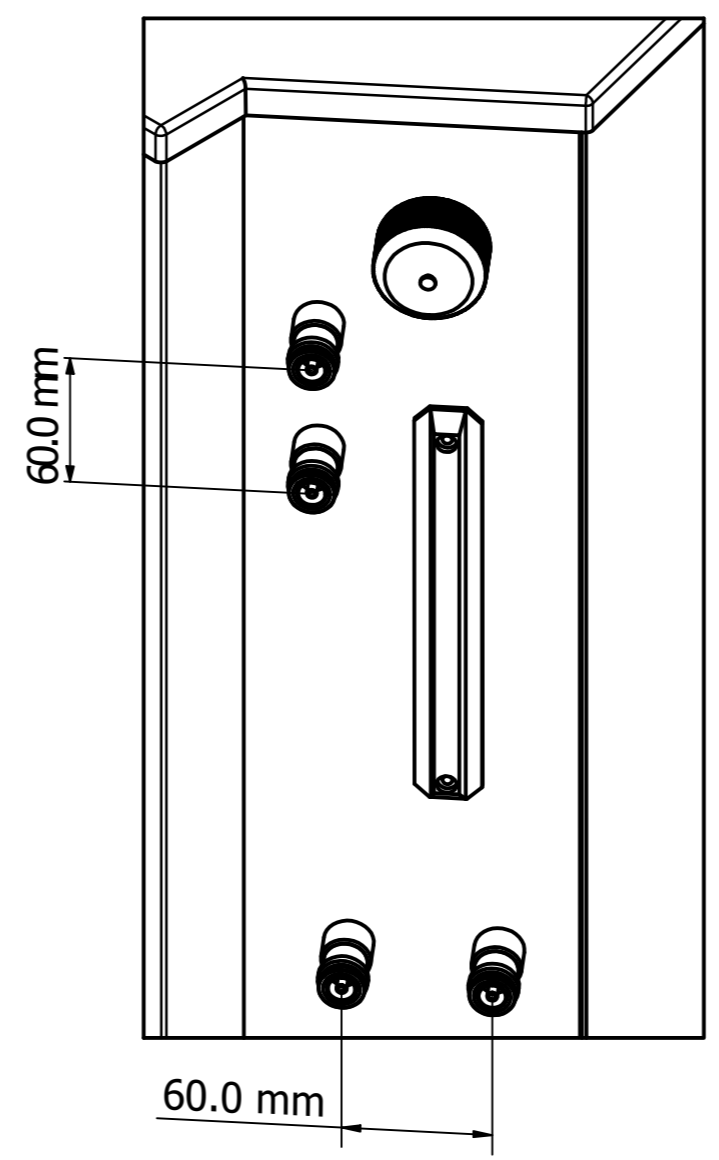
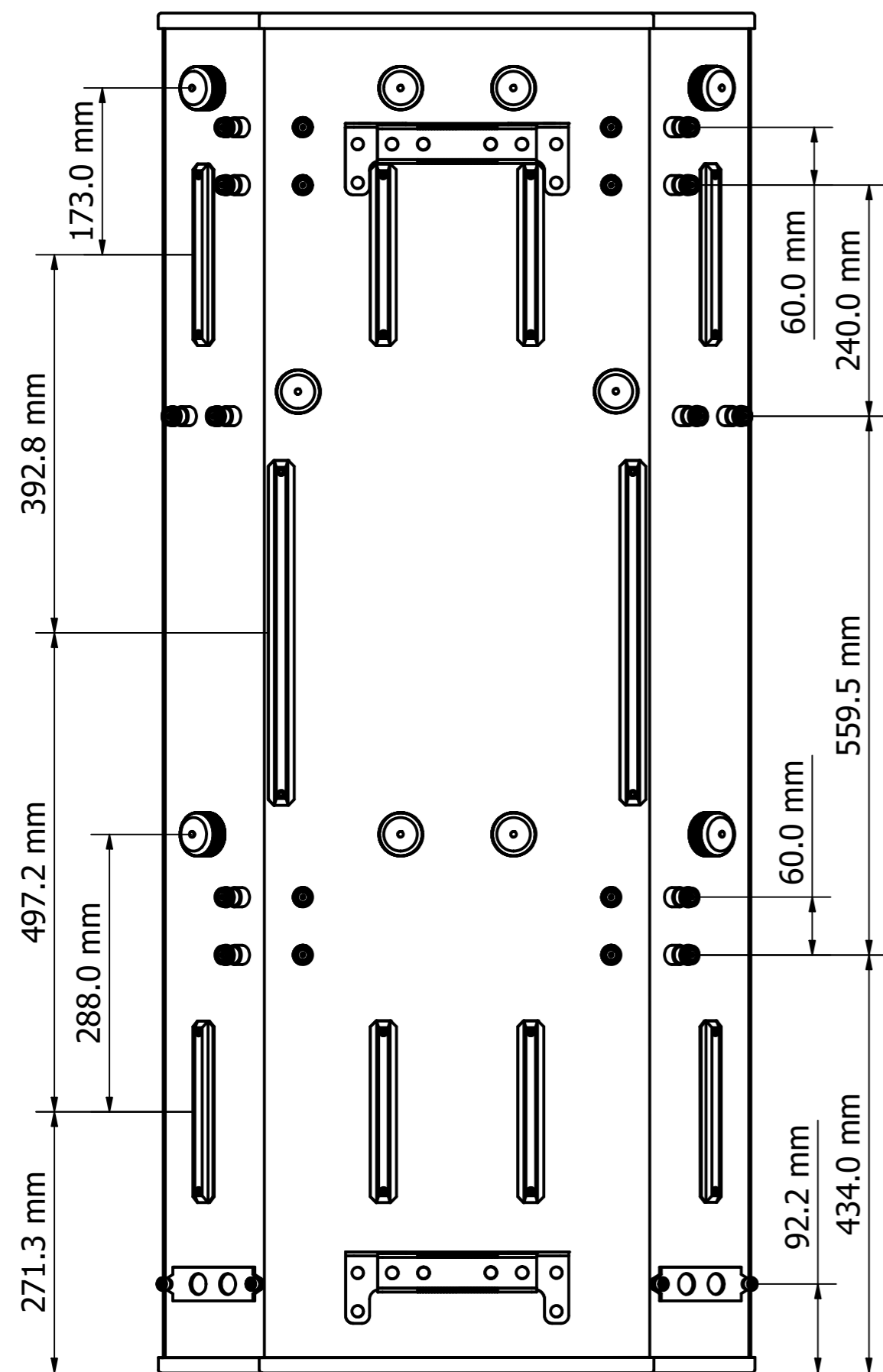
Ø12.5 mm

40.0 mm

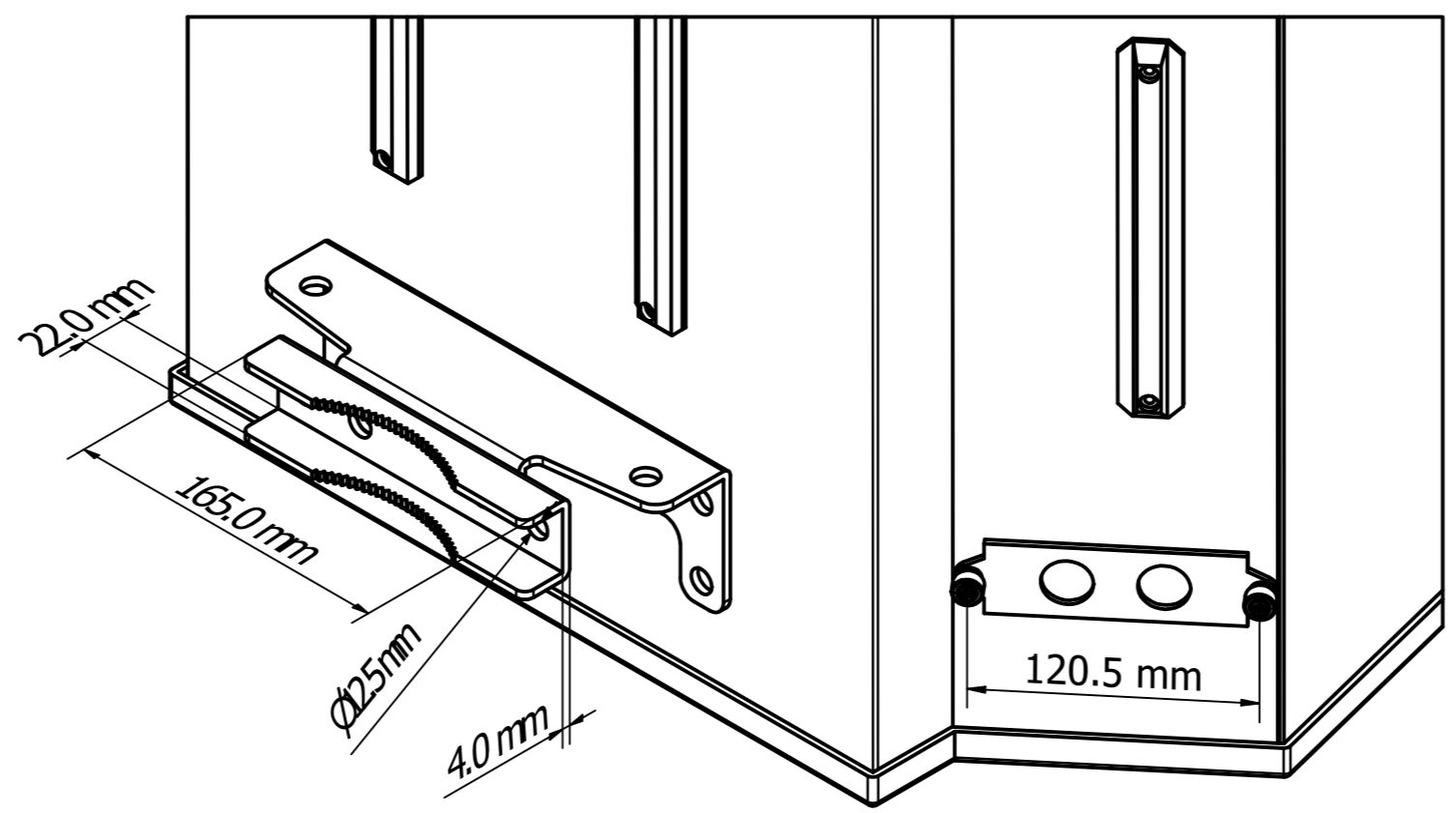
165.0 mm

Detail A

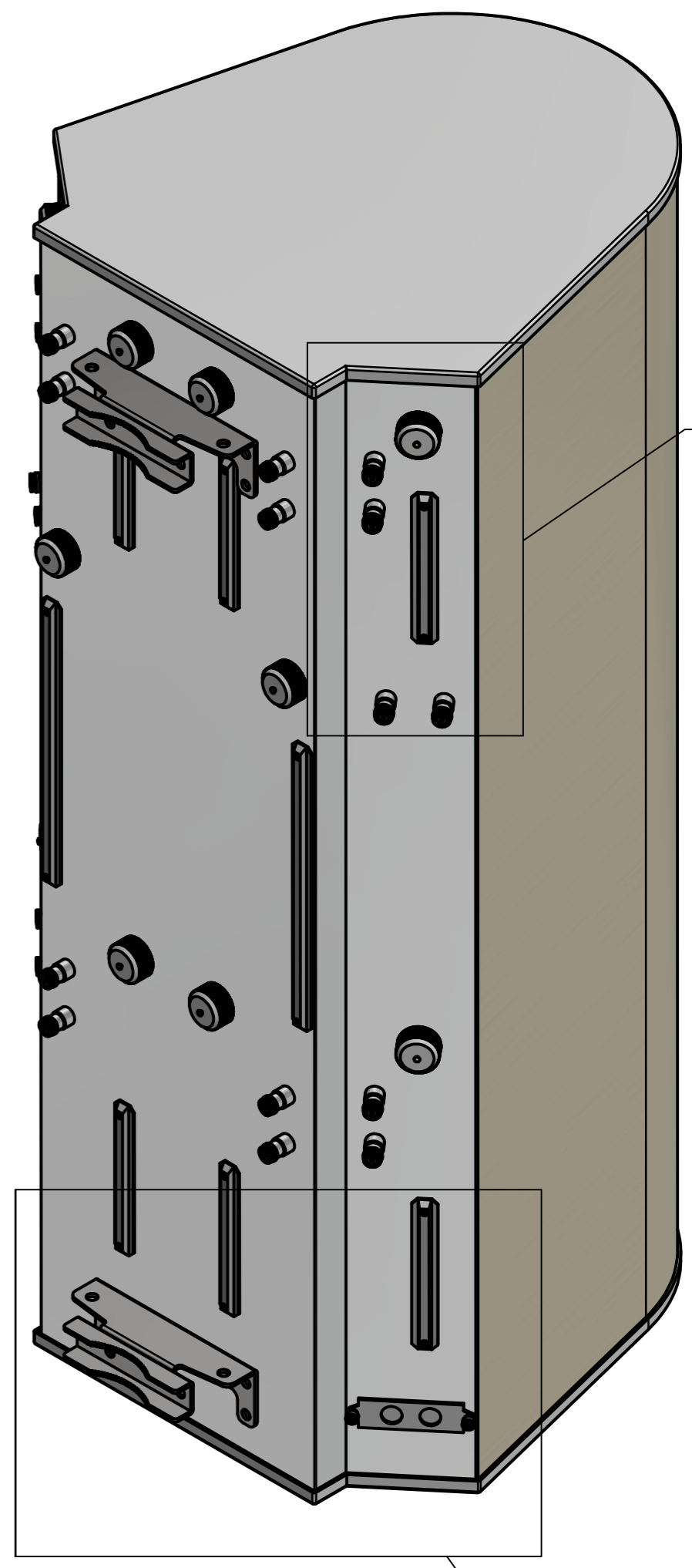
Designed by PAVEL	Drawing by LAWRENCE	Date 25/03/2021	Approved by PAVEL	Date 25/03/2021	Quantity	Material
MATSING						MS-MBA-4.4.2-F2-H2-L2
LENS TECHNOLOGY ENABLED						MS-MBA-4.4.2-F2-H2-L2 (mm)
					Revision 1.0	Sheet 1 / 3



Detail C

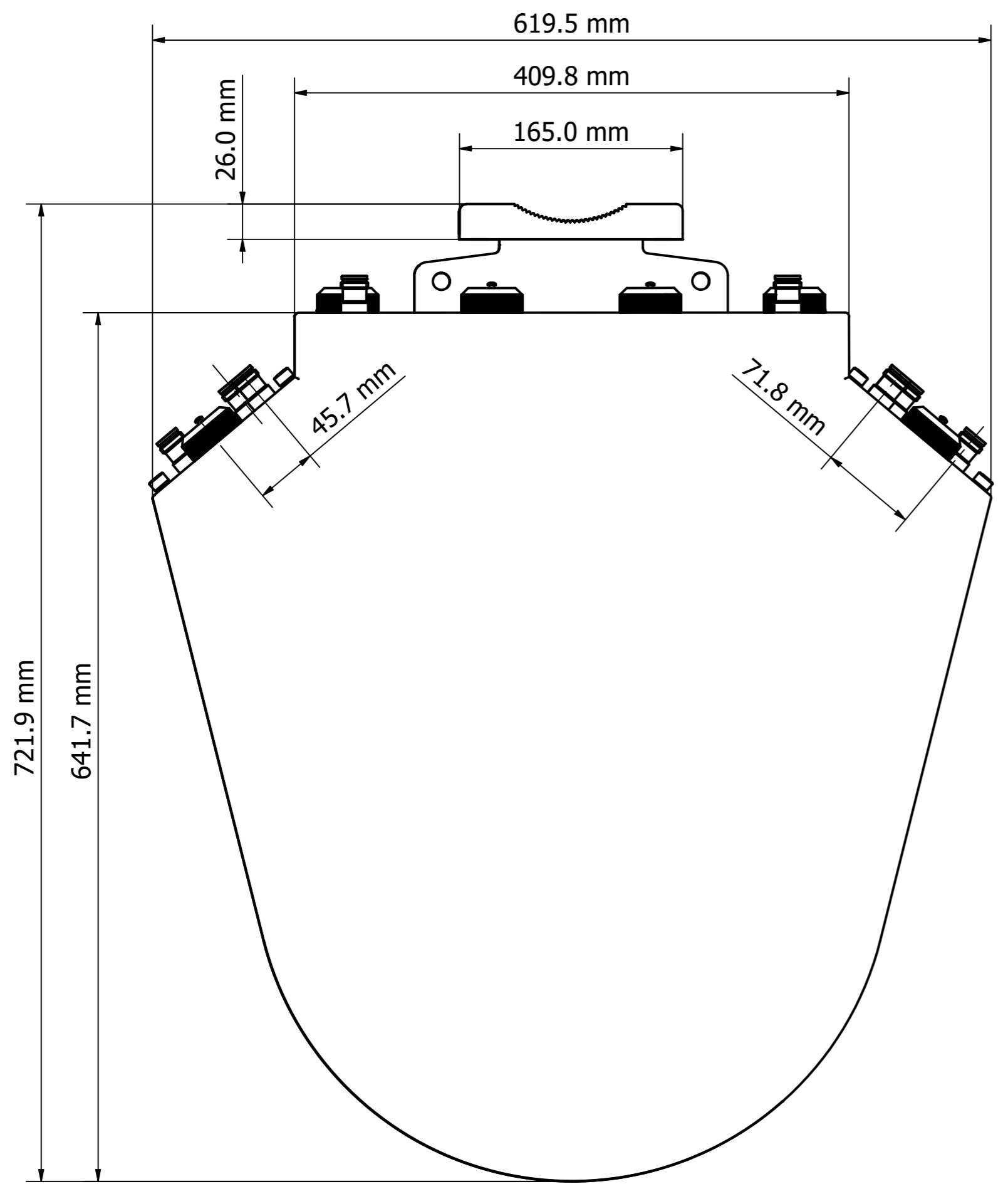


Detail B

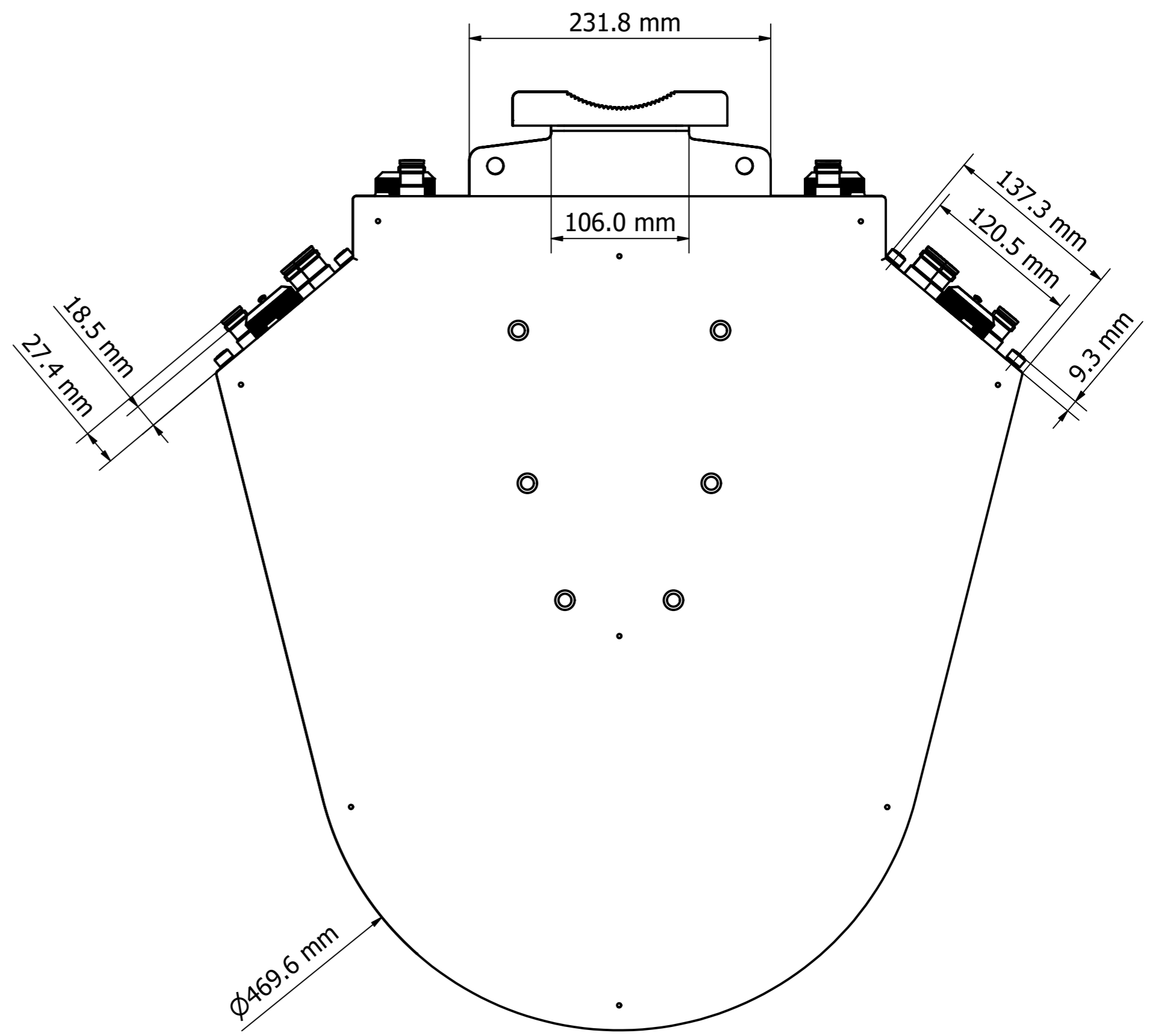


Detail B

Designed by PAVEL	Drawing by LAWRENCE	Date 25/03/2021	Approved by PAVEL	Date 25/03/2021	Quantity	Material
MATSING LENS TECHNOLOGY ENABLED						MS-MBA-4.4.2-F2-H2-L2
MS-MBA-4.4.2-F2-H2-L2 (mm)					Revision 1.0	Sheet 2 / 3



Top View



Bottom View

Designed by	Drawing by	Date	Approved by	Date	Quantity	Material
PAVEL	LAWRENCE	25/03/2021	PAVEL	25/03/2021		
MATSING LENS TECHNOLOGY ENABLED						MS-MBA-4.4.2-F2-H2-L2
						MS-MBA-4.4.2-F2-H2-L2 (mm)
						Revision 1.0
						Sheet 3 / 3