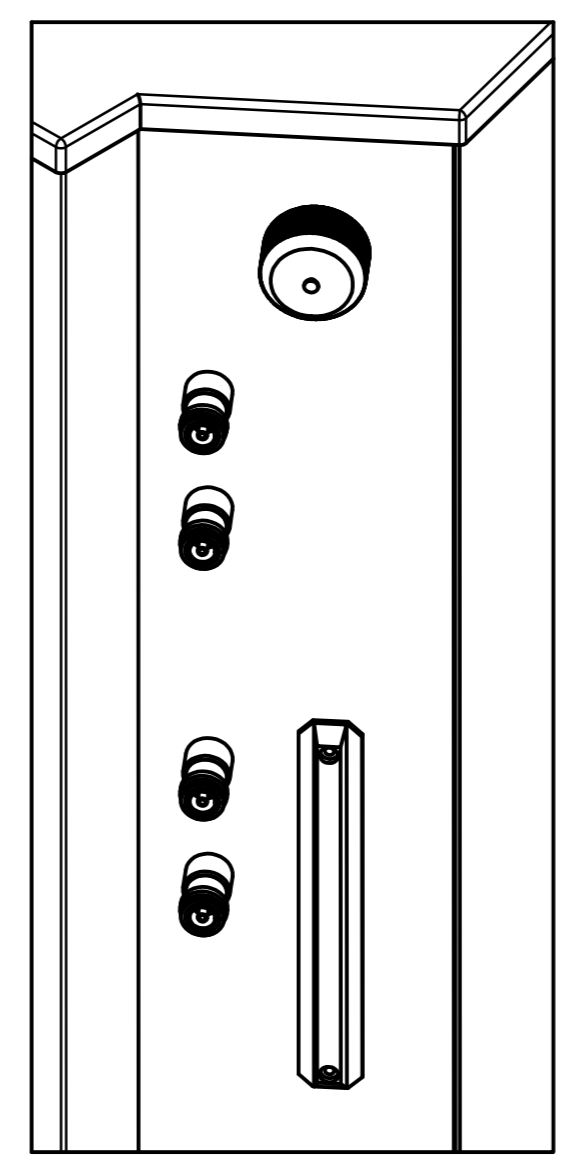
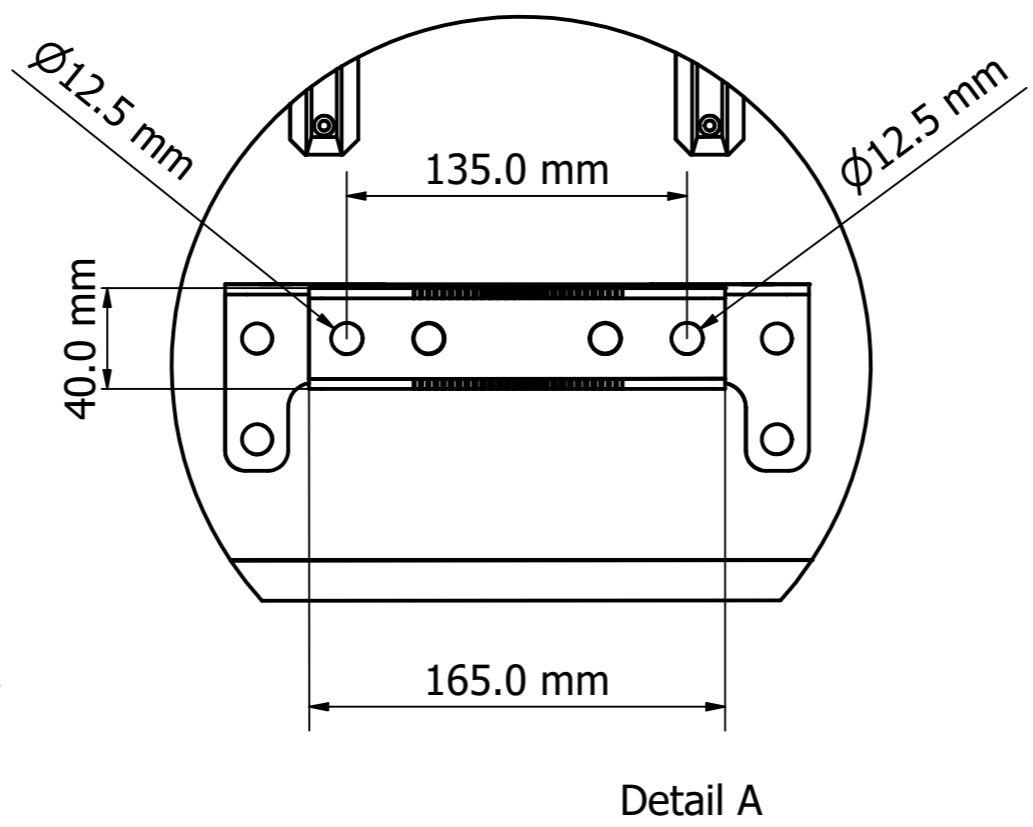
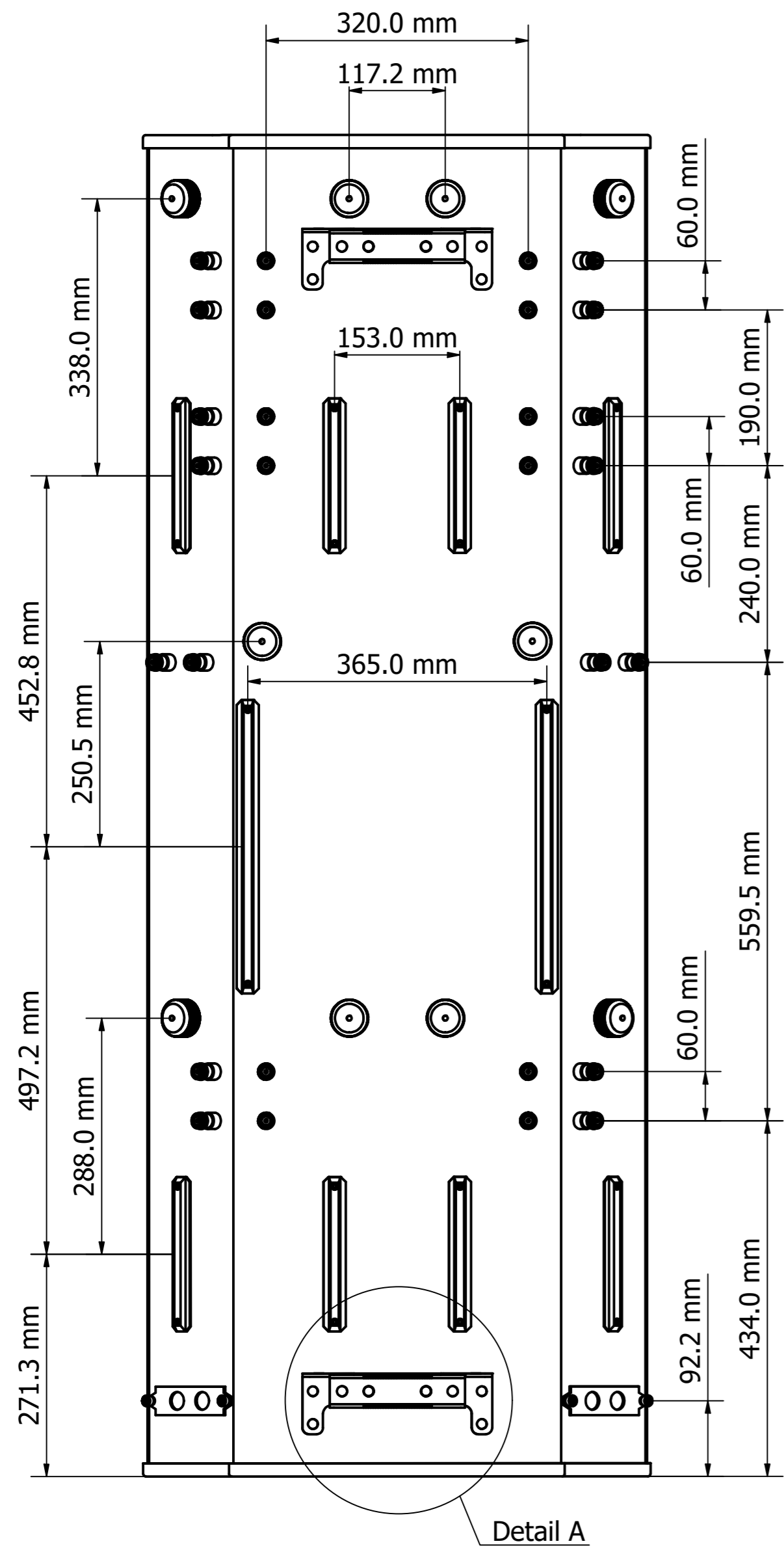
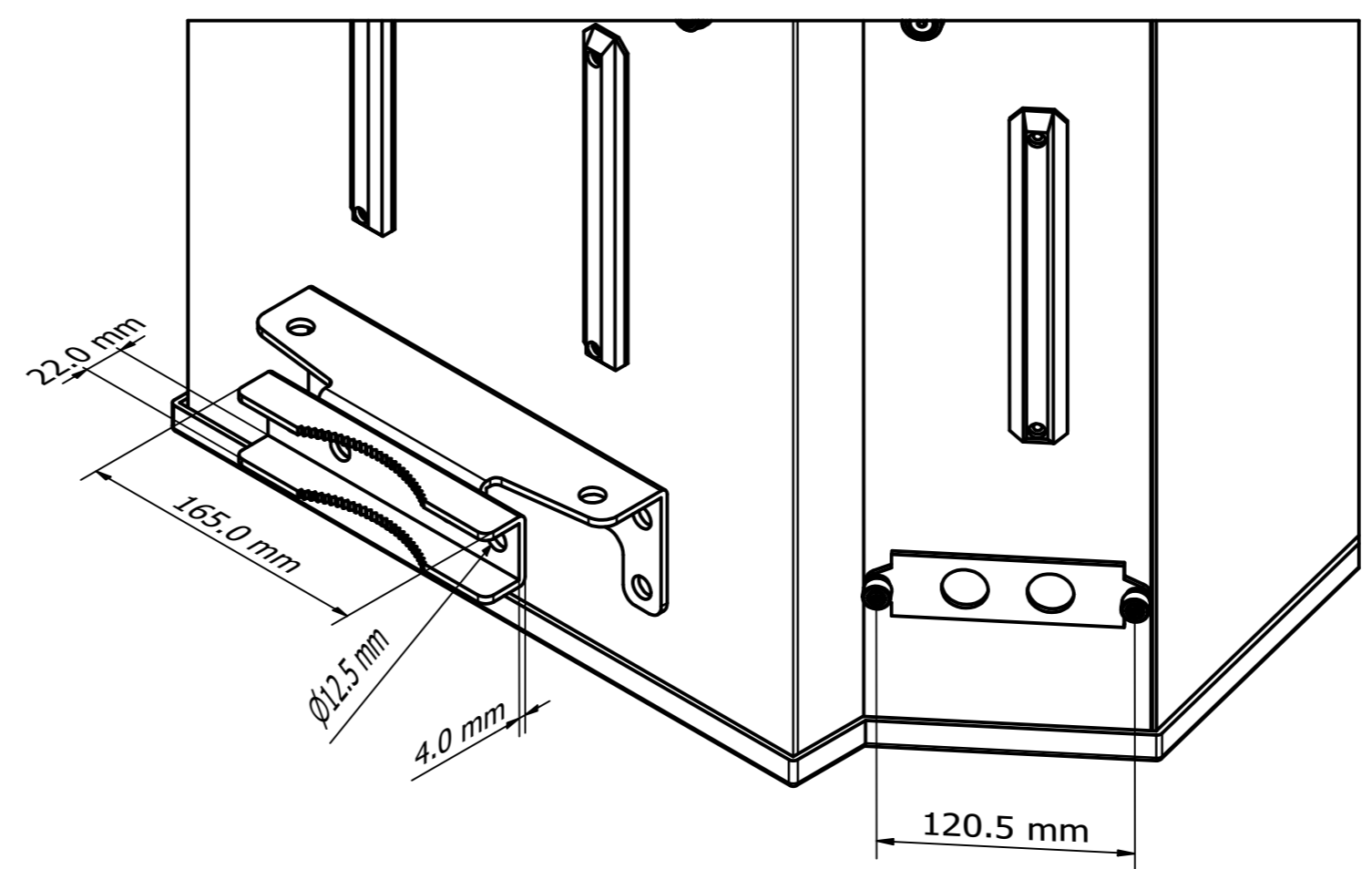


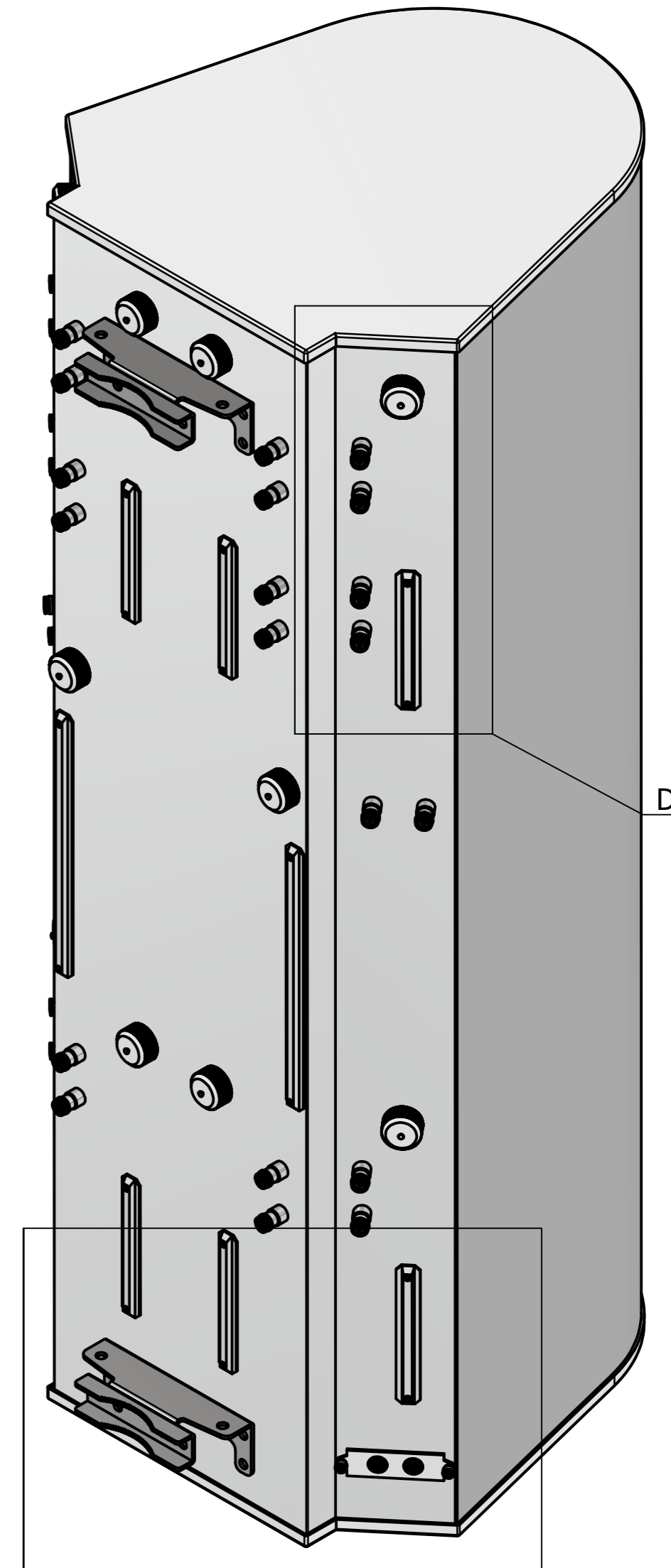
| | | | | | | | |
|---|------------------------|-------------------|----------------------|-------------------|----------|-----------------------|----------------|
| Designed by PAVEL | Drawing by LAWRENCE | Date 25/3/2024 | Approved by PAVEL | Date 26/3/2024 | Quantity | Material | |
| MATSING LENS TECHNOLOGY ENABLED | | | | | | MS-MBA-4.4.2-C4-H2-L2 | |
| MS-MBA-4.4.2-C4-H2-L2 (mm) | | | | | | Revision 1.0 | Sheet 1 / 3 |



Detail C

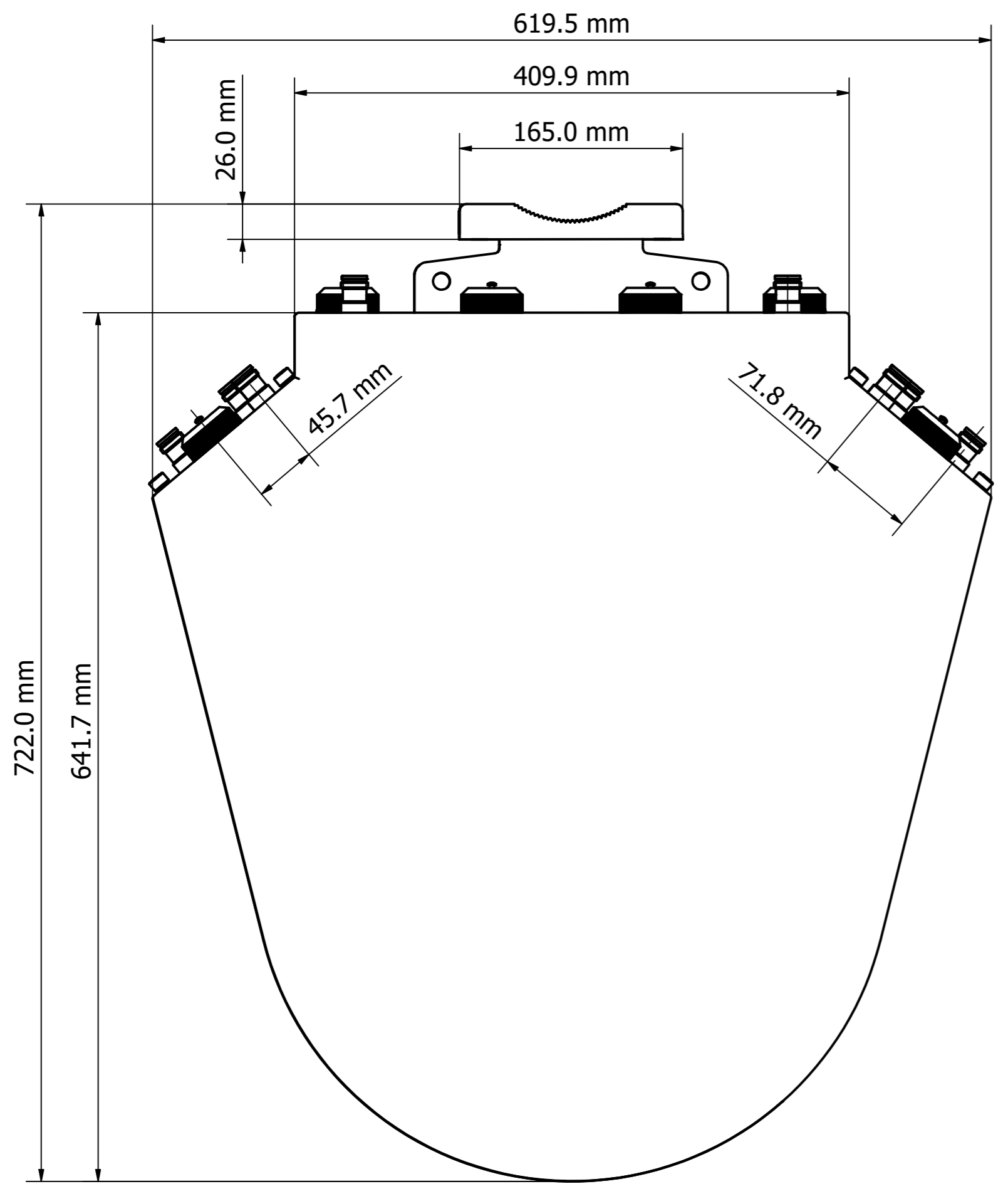


Detail B

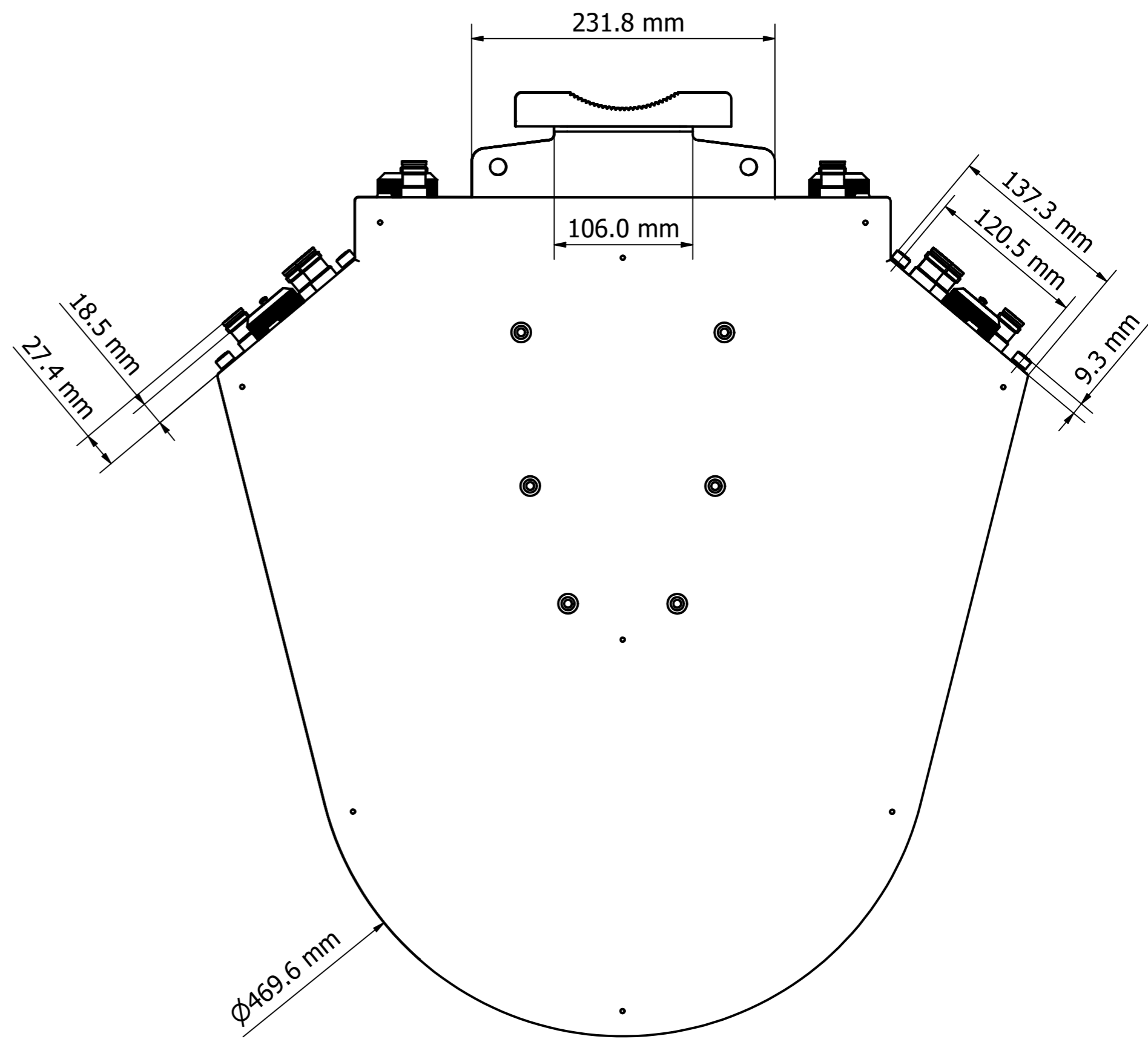


Detail B

| | | | | | | |
|-------------------------|------------------------|-------------------|----------------------|-------------------|-----------------|----------------------------|
| Designed by PAVEL | Drawing by LAWRENCE | Date 25/3/2024 | Approved by PAVEL | Date 26/3/2024 | Quantity | Material |
| MATSING | | | | | | MS-MBA-4.4.2-C4-H2-L2 |
| LENS TECHNOLOGY ENABLED | | | | | | MS-MBA-4.4.2-C4-H2-L2 (mm) |
| | | | | | Revision 1.0 | Sheet 2 / 3 |



Top View



Bottom View

| | | | | | | | |
|---|------------------------|-------------------|----------------------|-------------------|----------|-----------------------|----------------|
| Designed by PAVEL | Drawing by LAWRENCE | Date 25/3/2024 | Approved by PAVEL | Date 26/3/2024 | Quantity | Material | |
| MATSING LENS TECHNOLOGY ENABLED | | | | | | MS-MBA-4.4.2-C4-H2-L2 | |
| MS-MBA-4.4.2-C4-H2-L2 (mm) | | | | | | Revision 1.0 | Sheet 3 / 3 |