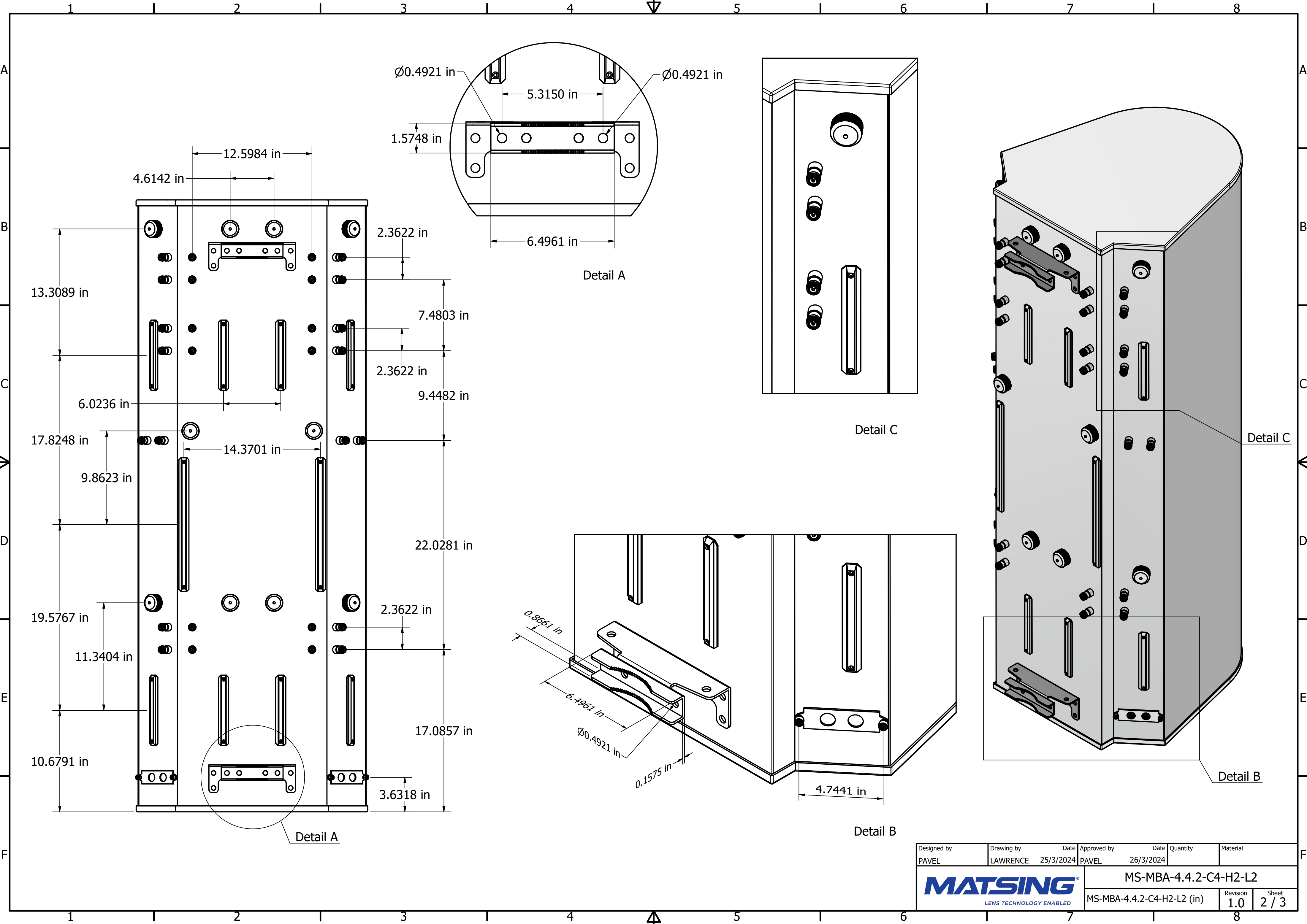
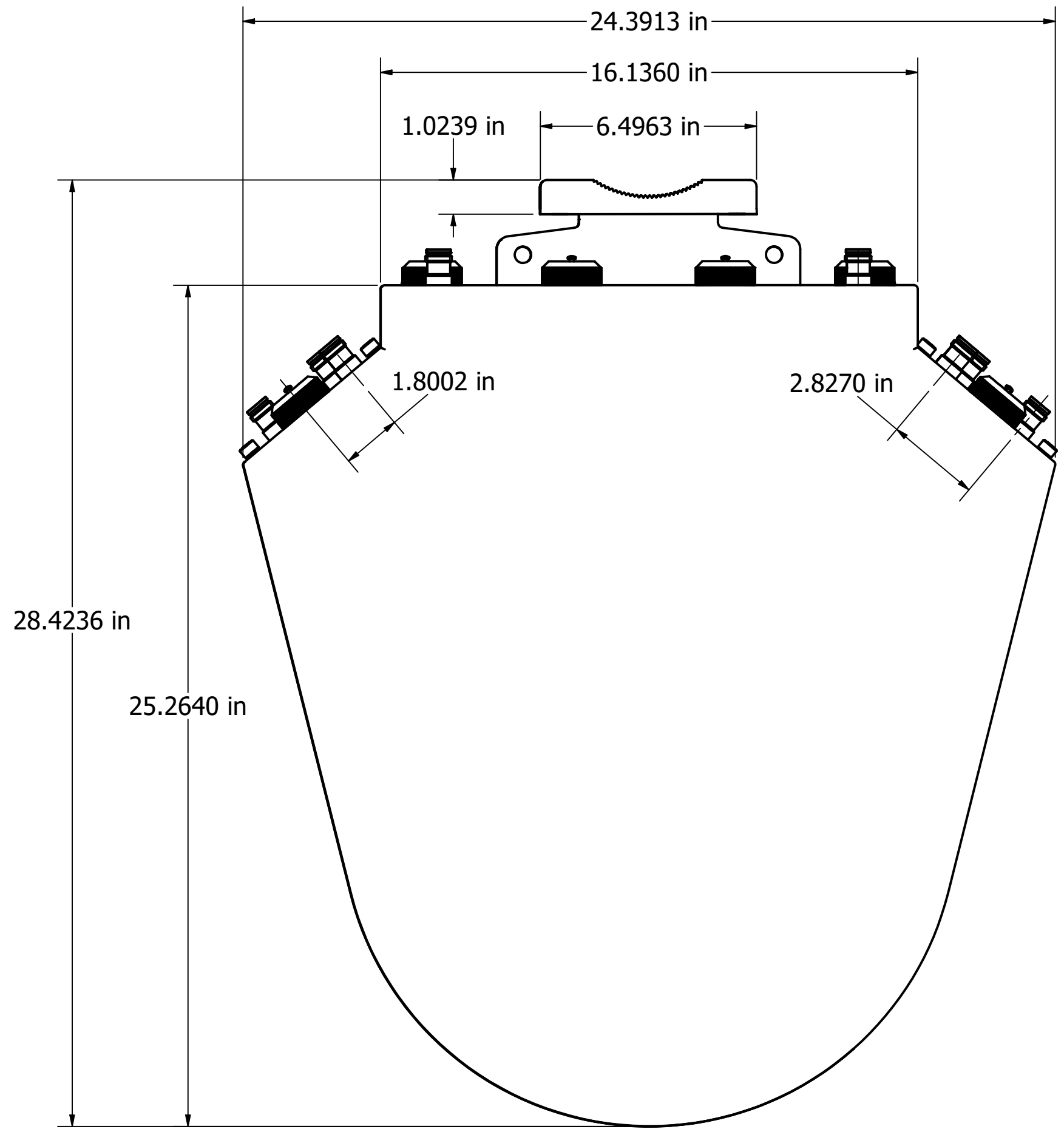


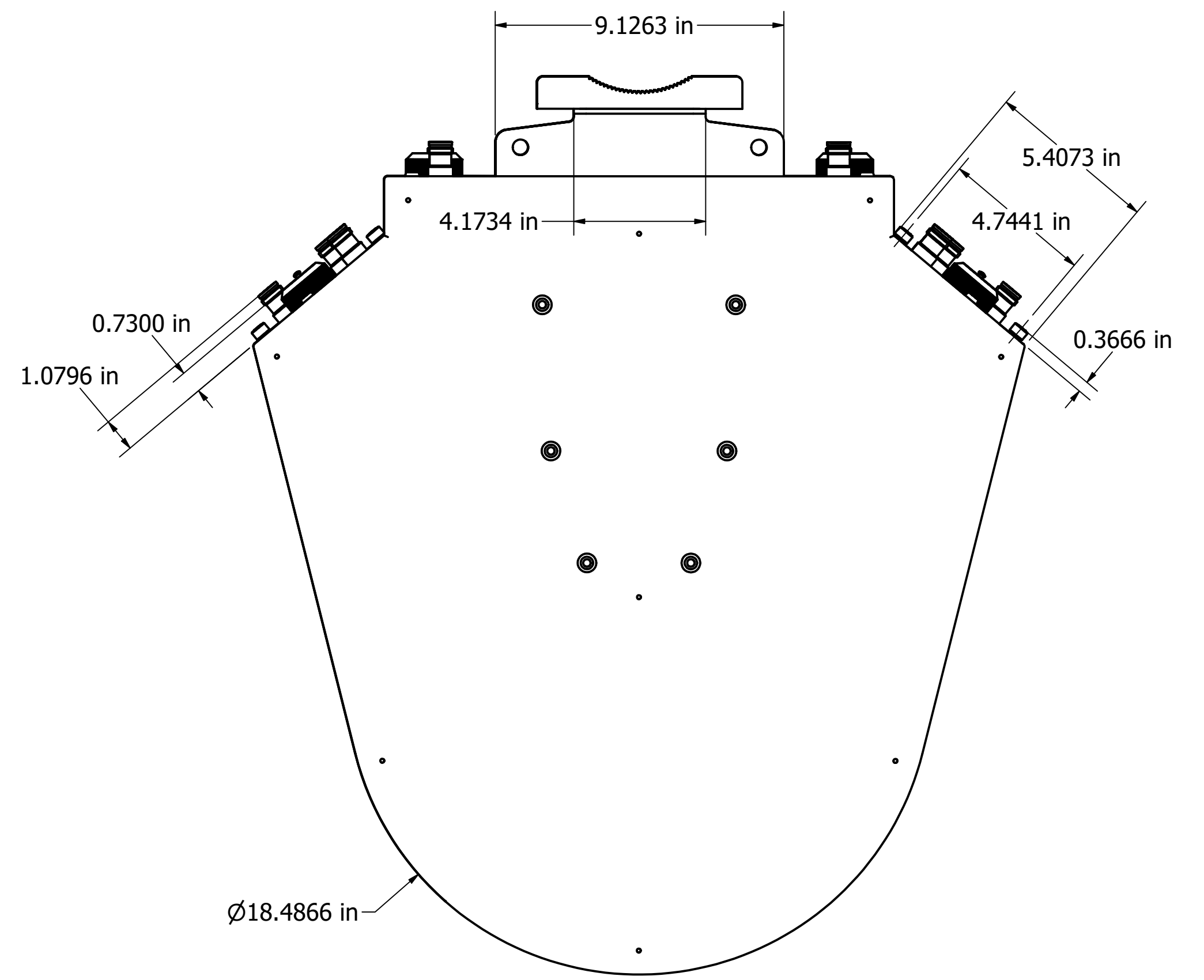
Designed by	Drawing by	Date	Approved by	Date	Quantity	Material	
PAVEL	LAWRENCE	25/3/2024	PAVEL	26/3/2024			
MATSING LENS TECHNOLOGY ENABLED							
MS-MBA-4.4.2-C4-H2-L2						Revision	Sheet
MS-MBA-4.4.2-C4-H2-L2 (in)						1.0	1 / 3



Designed by PAVEL	Drawing by LAWRENCE	Date 25/3/2024	Approved by PAVEL	Date 26/3/2024	Quantity	Material
MATSING						MS-MBA-4.4.2-C4-H2-L2
LENS TECHNOLOGY ENABLED						MS-MBA-4.4.2-C4-H2-L2 (in)
					Revision 1.0	Sheet 2 / 3



Top View



Bottom View

Designed by PAVEL	Drawing by LAWRENCE	Date 25/3/2024	Approved by PAVEL	Date 26/3/2024	Quantity	Material
MATSING LENS TECHNOLOGY ENABLED						MS-MBA-4.4.2-C4-H2-L2
MS-MBA-4.4.2-C4-H2-L2 (in)					Revision 1.0	Sheet 3 / 3