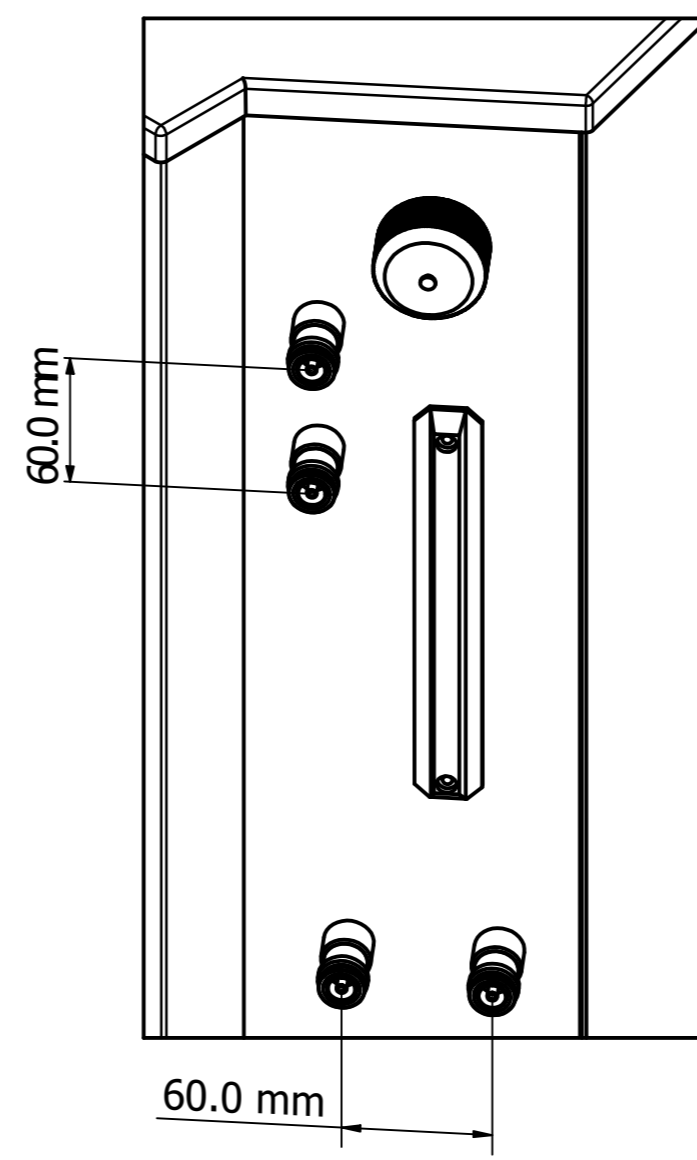
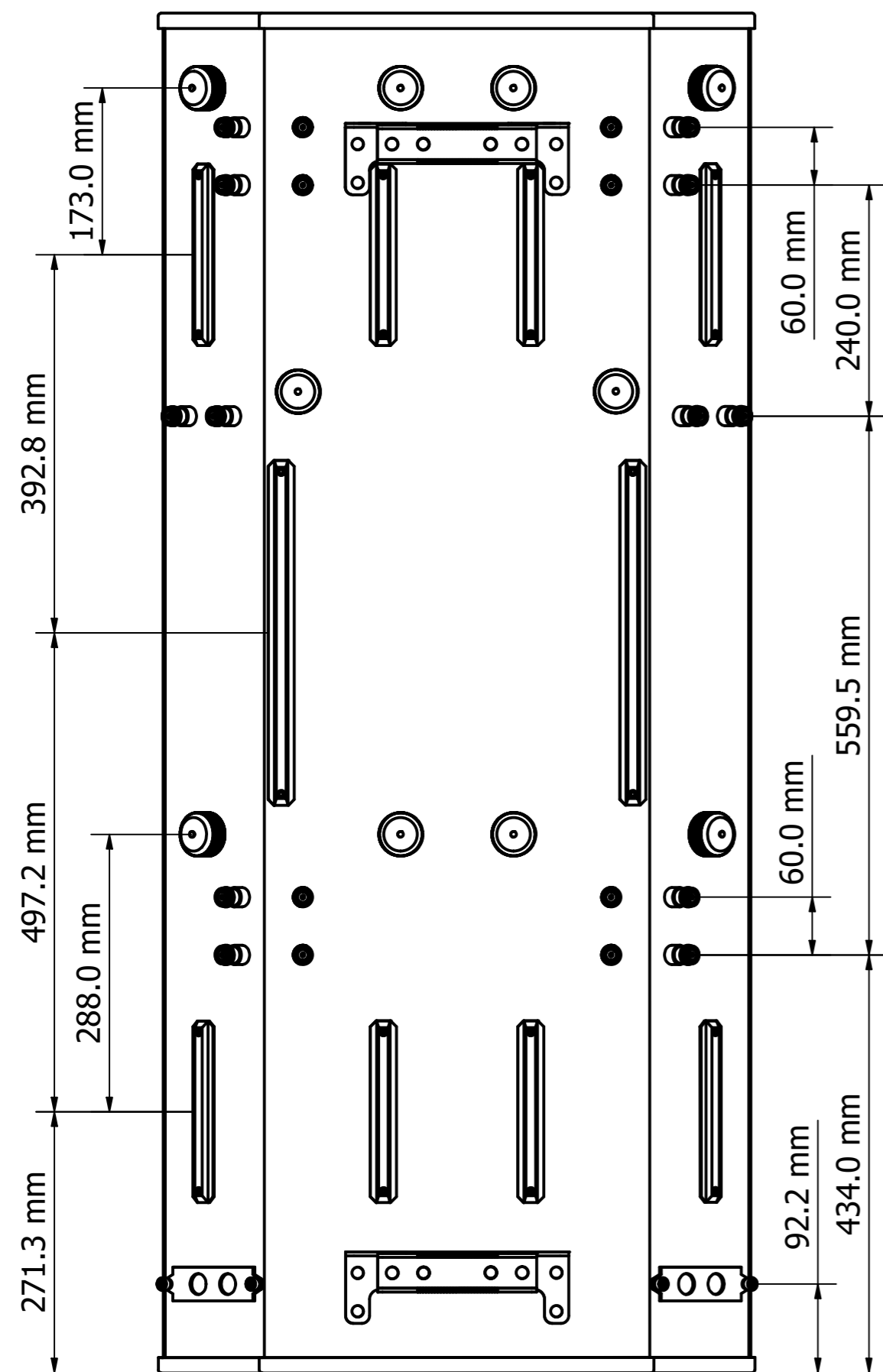
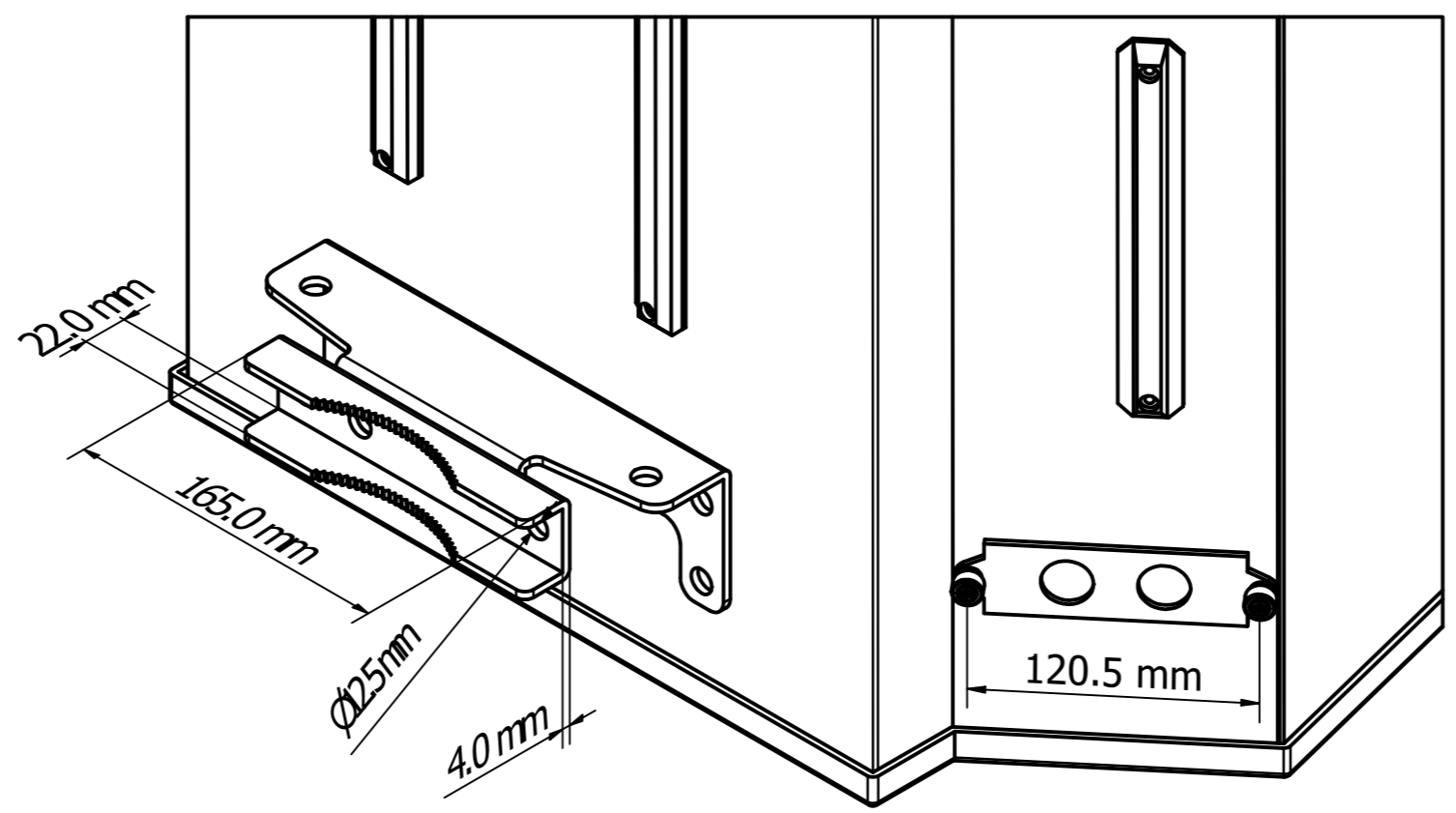


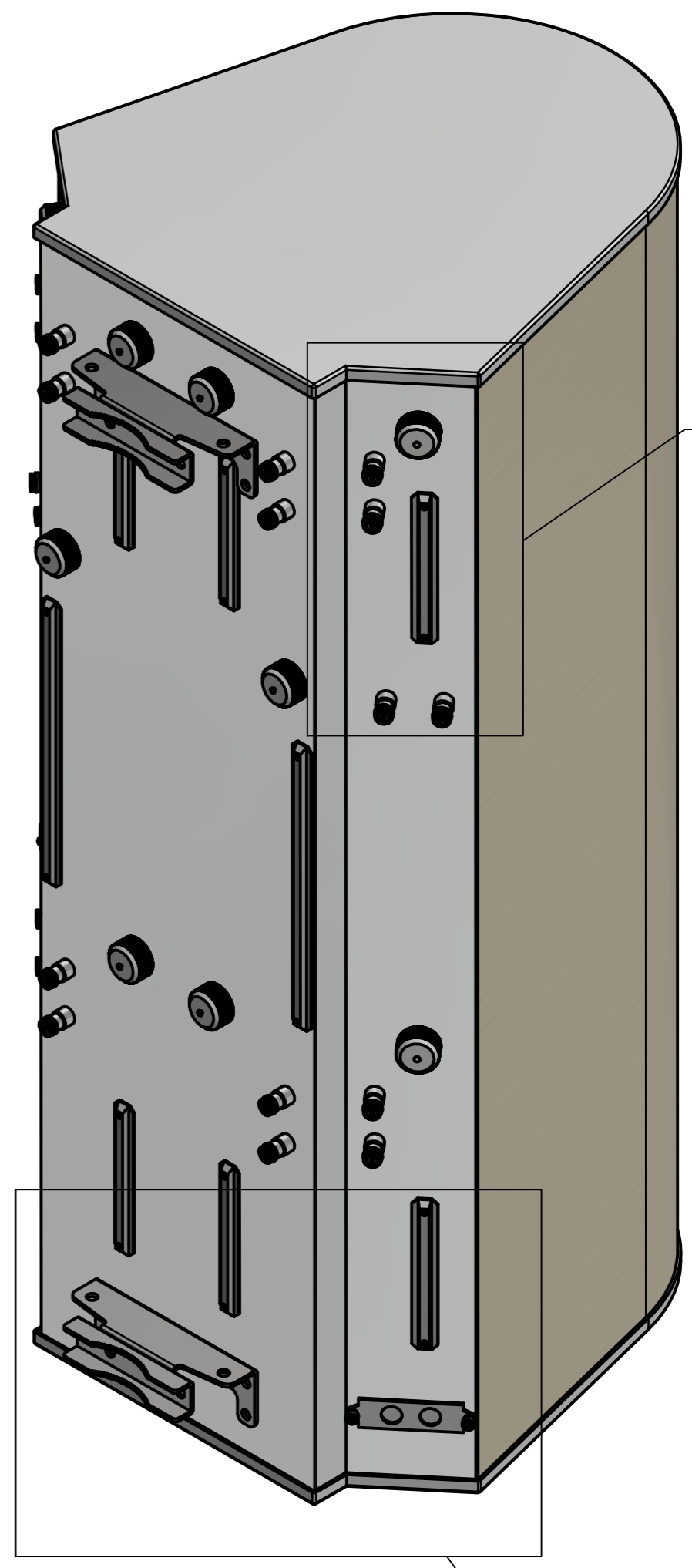
Designed by	Drawing by	Date	Approved by	Date	Quantity	Material	
PAVEL	LAWRENCE	20/04/2021	PAVEL	20/04/2021			
<b>MATSING</b> LENS TECHNOLOGY ENABLED							
MS-MBA-4.4.2-C2-H2-L2						Revision	Sheet
MS-MBA-4.4.2-C2-H2-L2 (mm)						1.0	1 / 3



Detail C



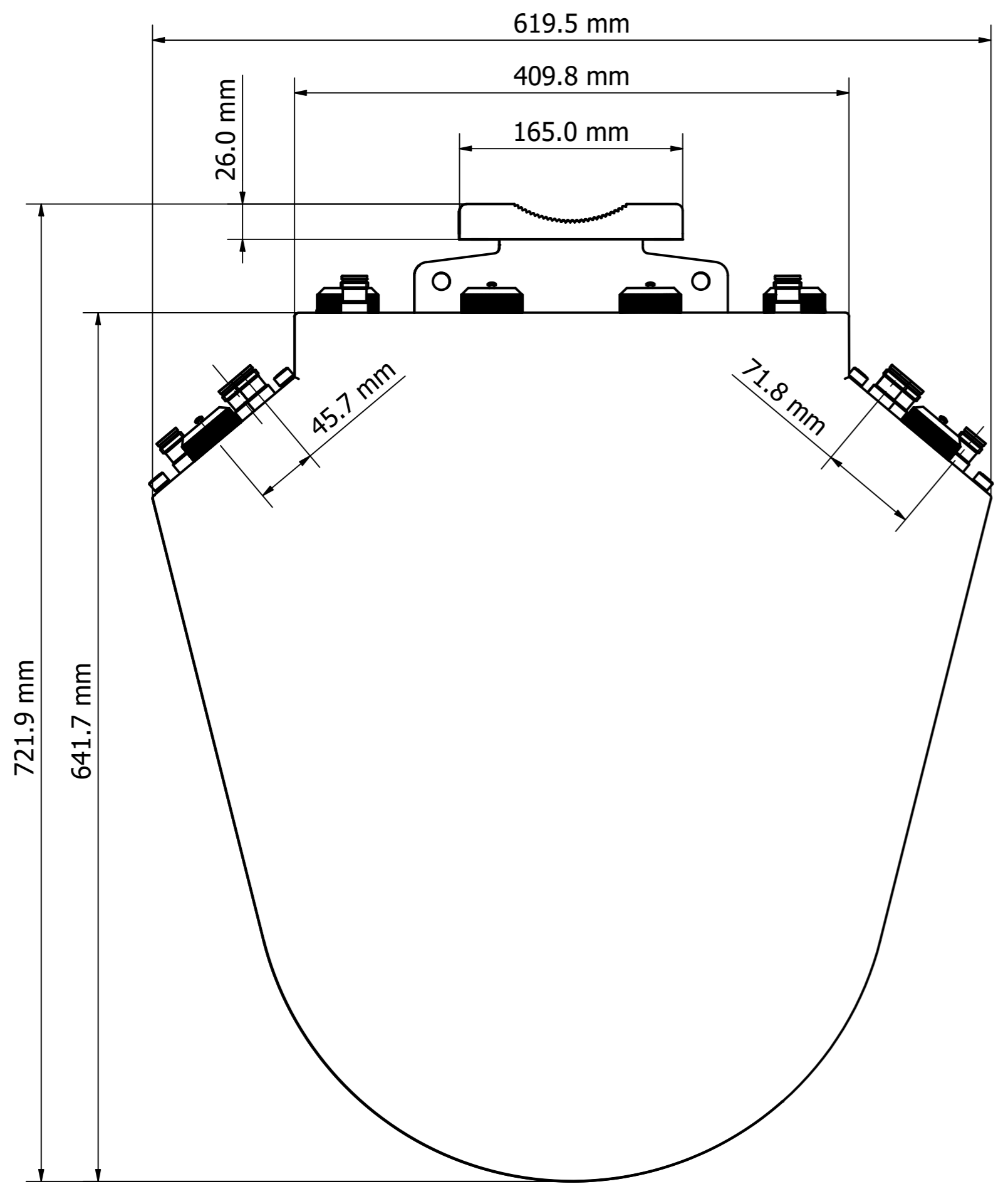
Detail B



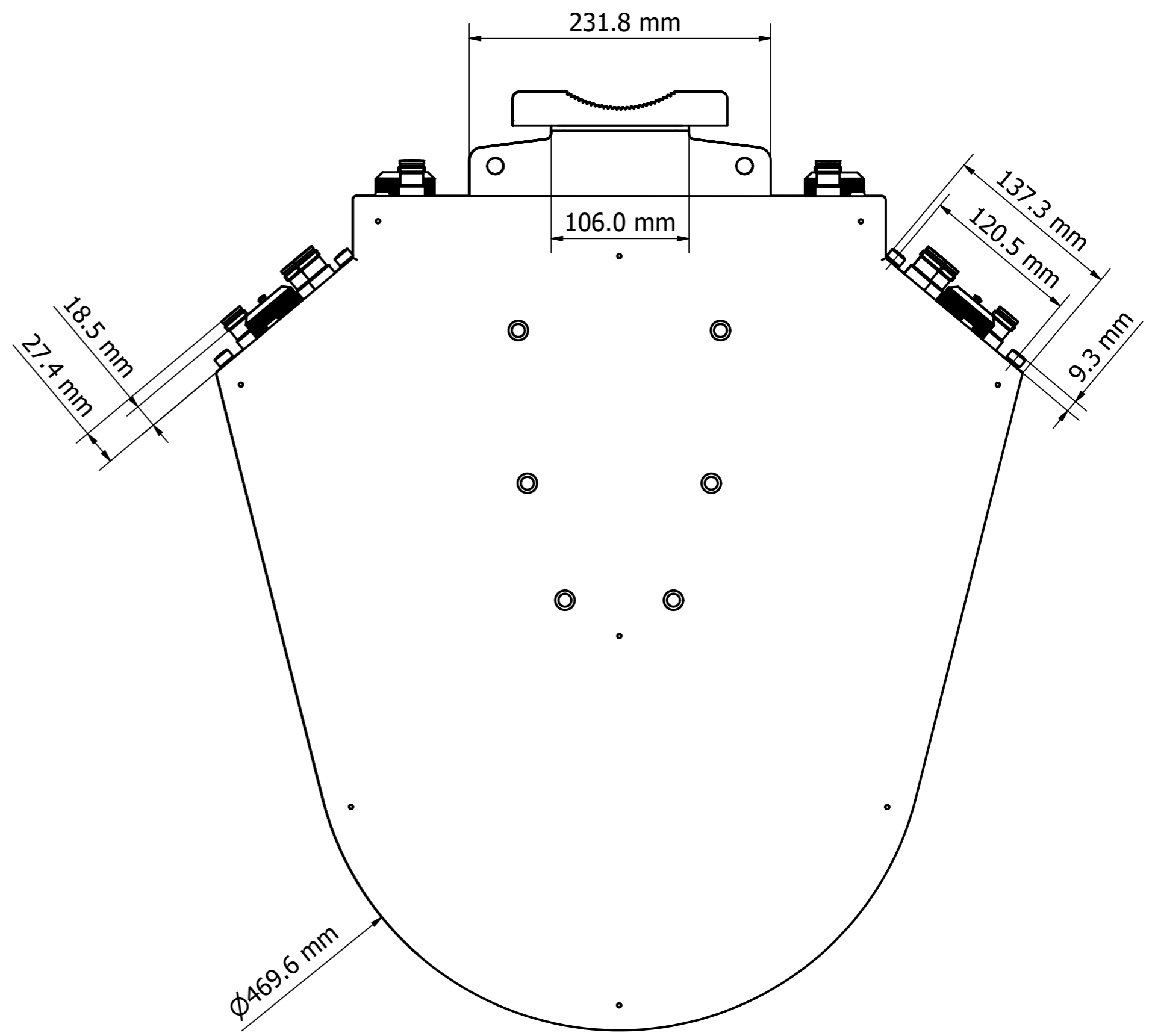
Detail B

Detail C

Designed by PAVEL	Drawing by LAWRENCE	Date 20/04/2021	Approved by PAVEL	Date 20/04/2021	Quantity	Material	
<b>MATSING</b> LENS TECHNOLOGY ENABLED						MS-MBA-4.4.2-C2-H2-L2	
MS-MBA-4.4.2-C2-H2-L2 (mm)						Revision 1.0	Sheet 2 / 3



Top View



Bottom View

Designed by	Drawing by	Date	Approved by	Date	Quantity	Material
PAVEL	LAWRENCE	20/04/2021	PAVEL	20/04/2021		
<b>MATSING</b> LENS TECHNOLOGY ENABLED						MS-MBA-4.4.2-C2-H2-L2
						MS-MBA-4.4.2-C2-H2-L2 (mm)
						Revision 1.0
						Sheet 3 / 3