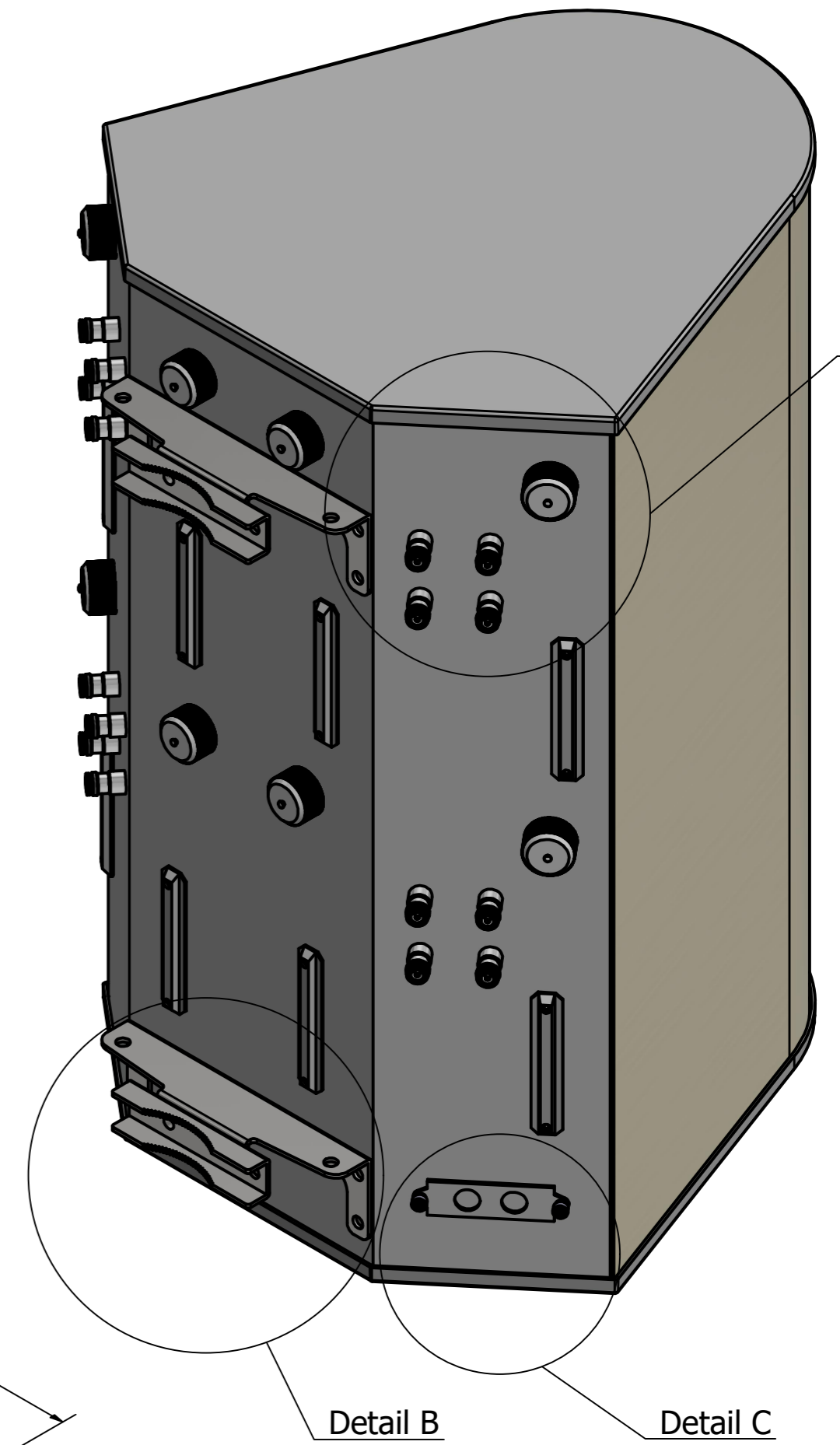
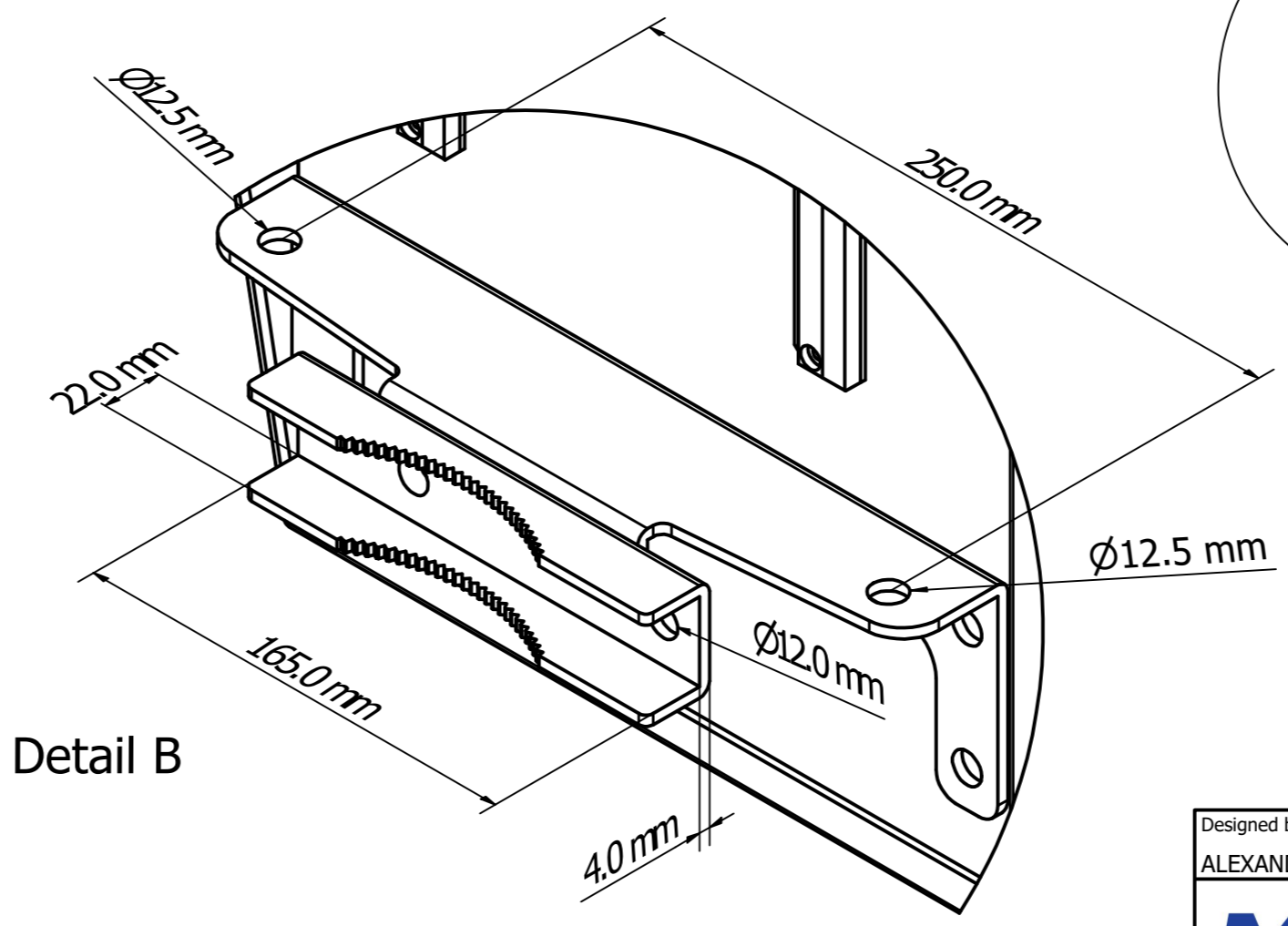
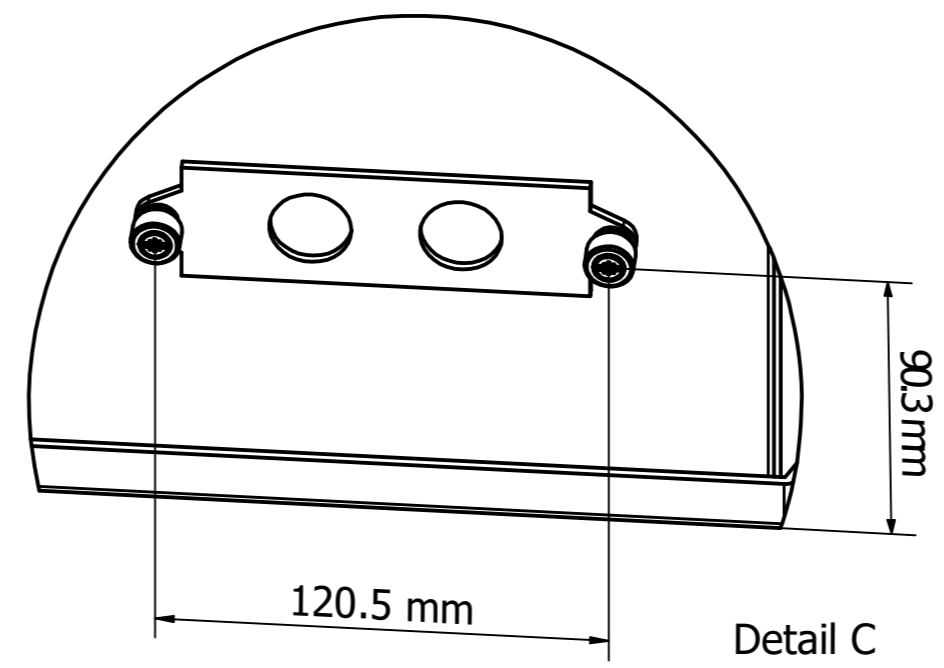
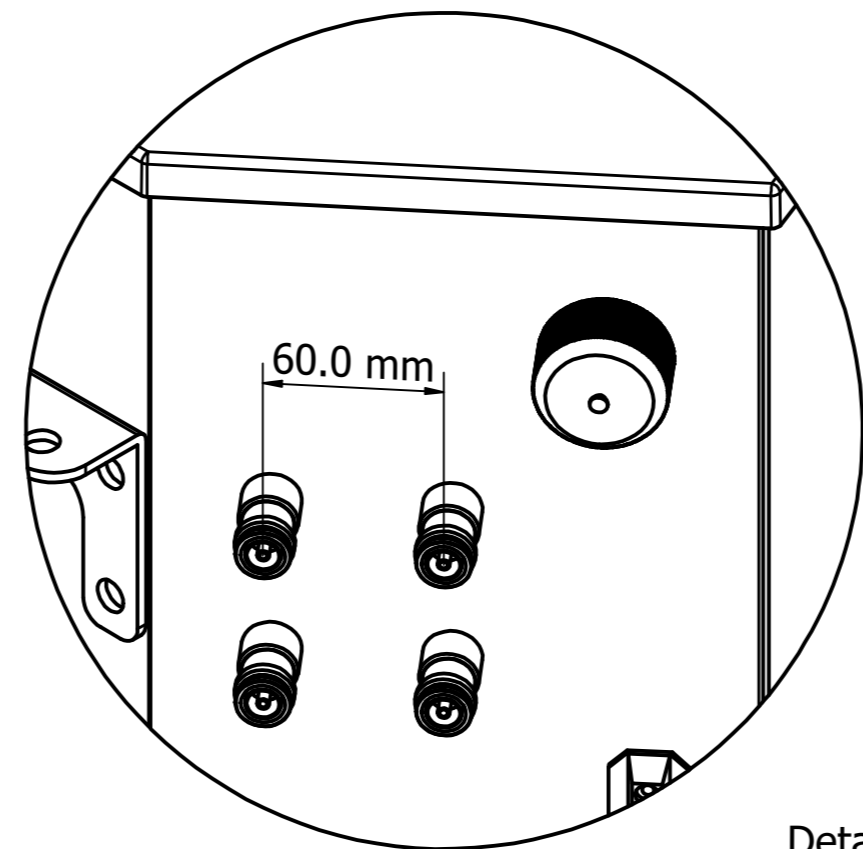
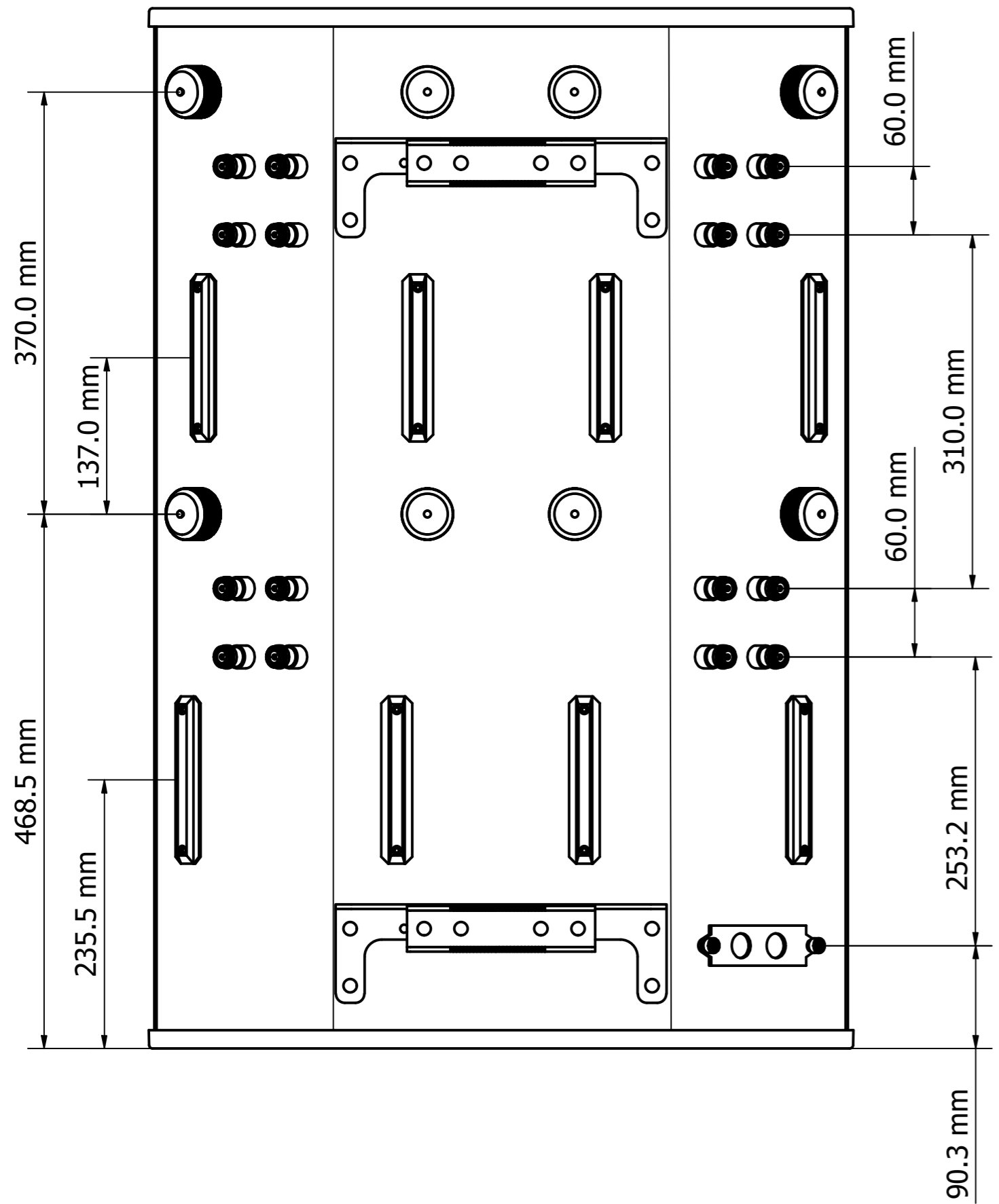
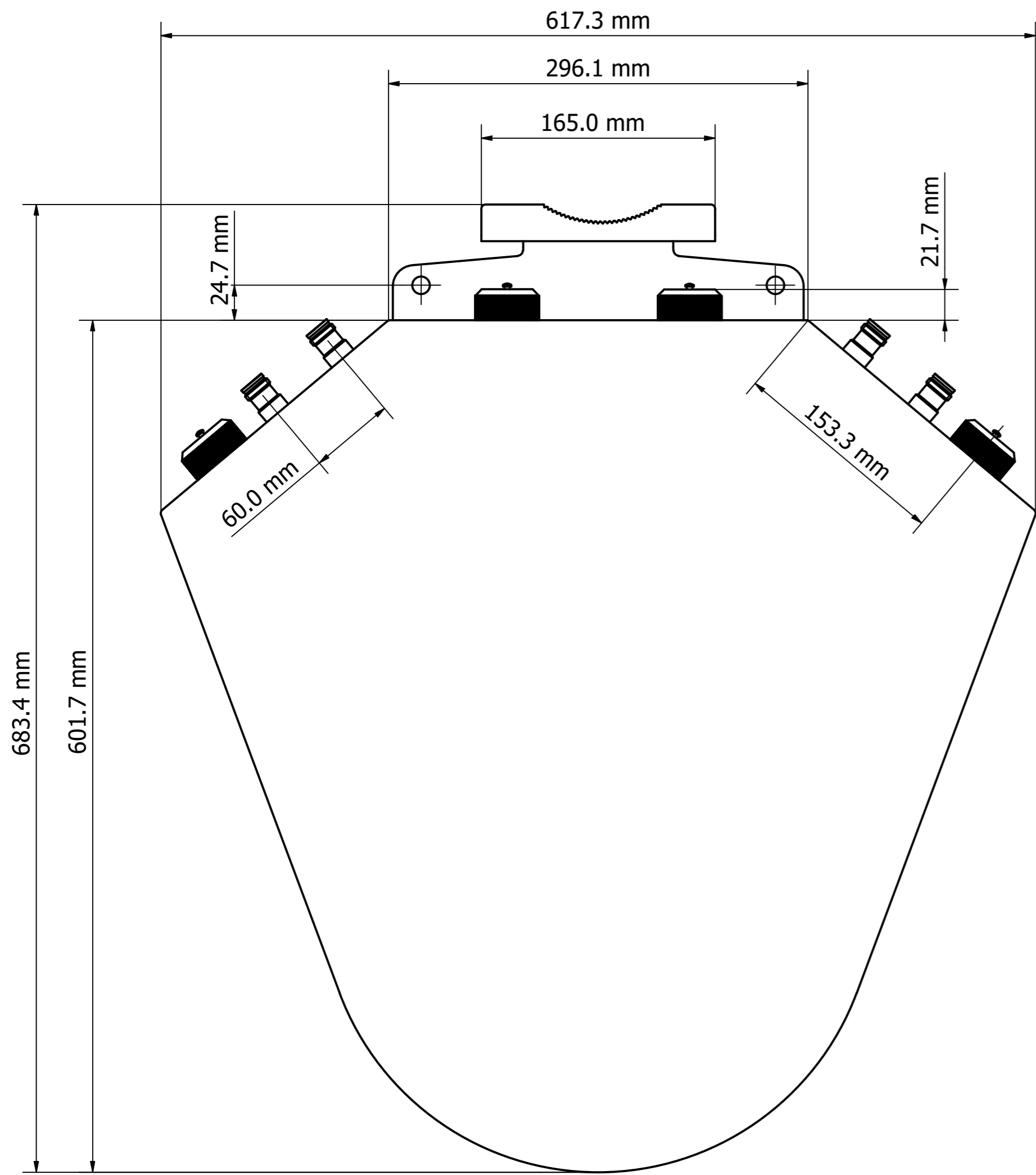


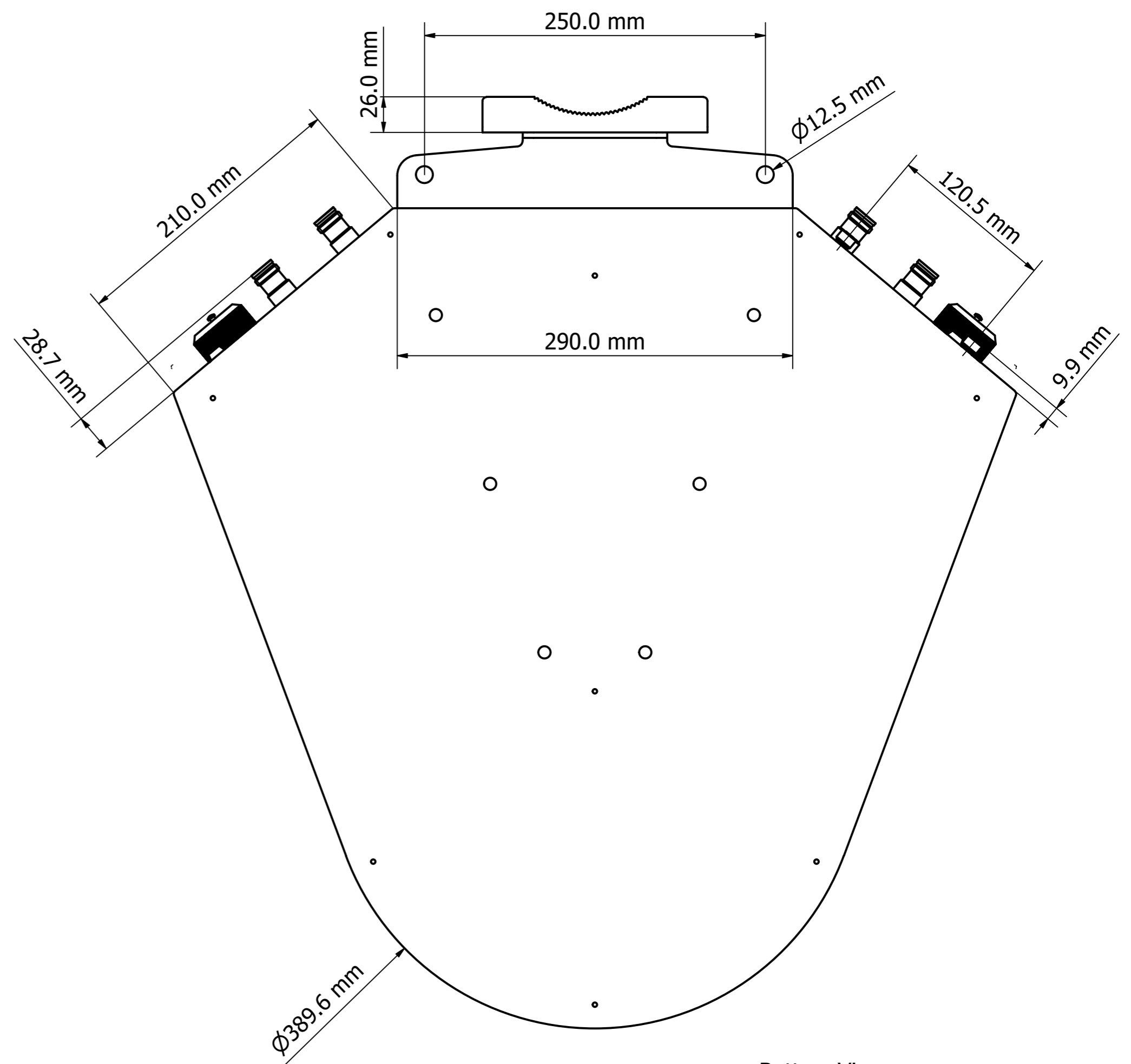
Designed by ALEXANDRE	Drawing by LAWRENCE	Date 23/10/2020	Approved by PAVEL	Date 24/10/2020	Quantity	Material	
MATSING LENS TECHNOLOGY ENABLED						MS-MBA-4.4-SH2-SH2	
MS-MBA-4.4-SH2-SH2 (mm)						Revision 1.0	Sheet 1 / 3



Designed by ALEXANDRE	Drawing by LAWRENCE	Date 23/10/2020	Approved by PAVEL	Date 24/10/2020	Quantity	Material	
MATSING LENS TECHNOLOGY ENABLED						MS-MBA-4.4-SH2-SH2	
MS-MBA-4.4-SH2-SH2 (mm)						Revision 1.0	Sheet 2 / 3



Top View



Bottom View

Designed by	Drawing by	Date	Approved by	Date	Quantity	Material
ALEXANDRE	LAWRENCE	23/10/2020	PAVEL	24/10/2020		
MATSING LENS TECHNOLOGY ENABLED						MS-MBA-4.4-SH2-SH2
						MS-MBA-4.4-SH2-SH2 (mm)
						Revision 1.0
						Sheet 3 / 3