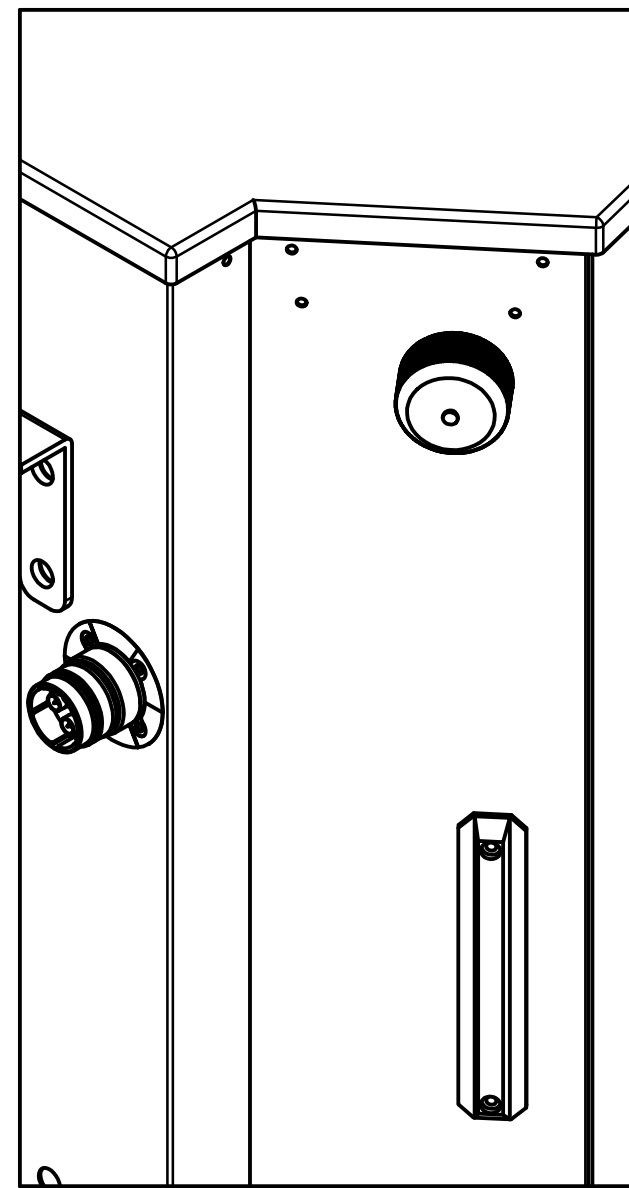
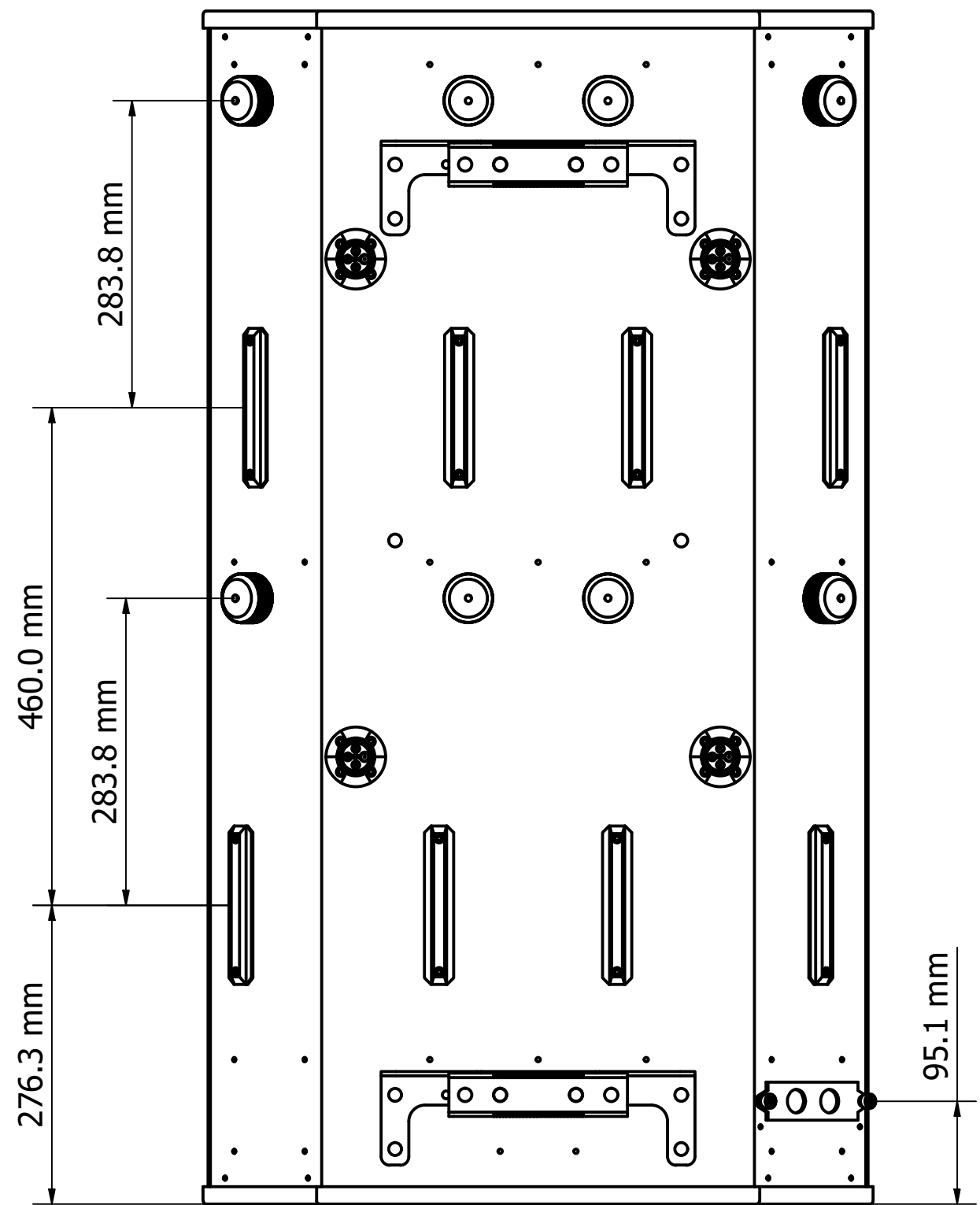
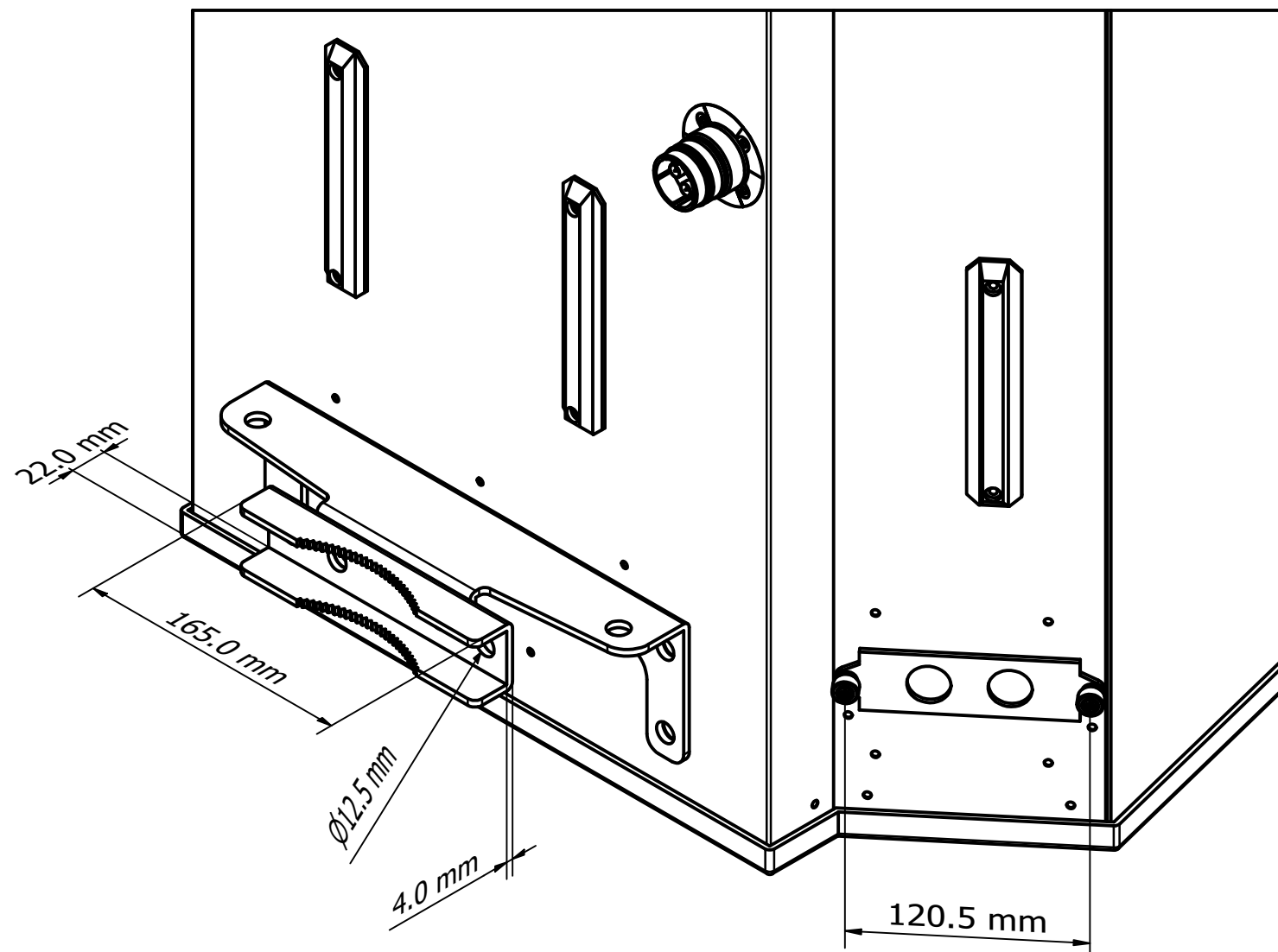


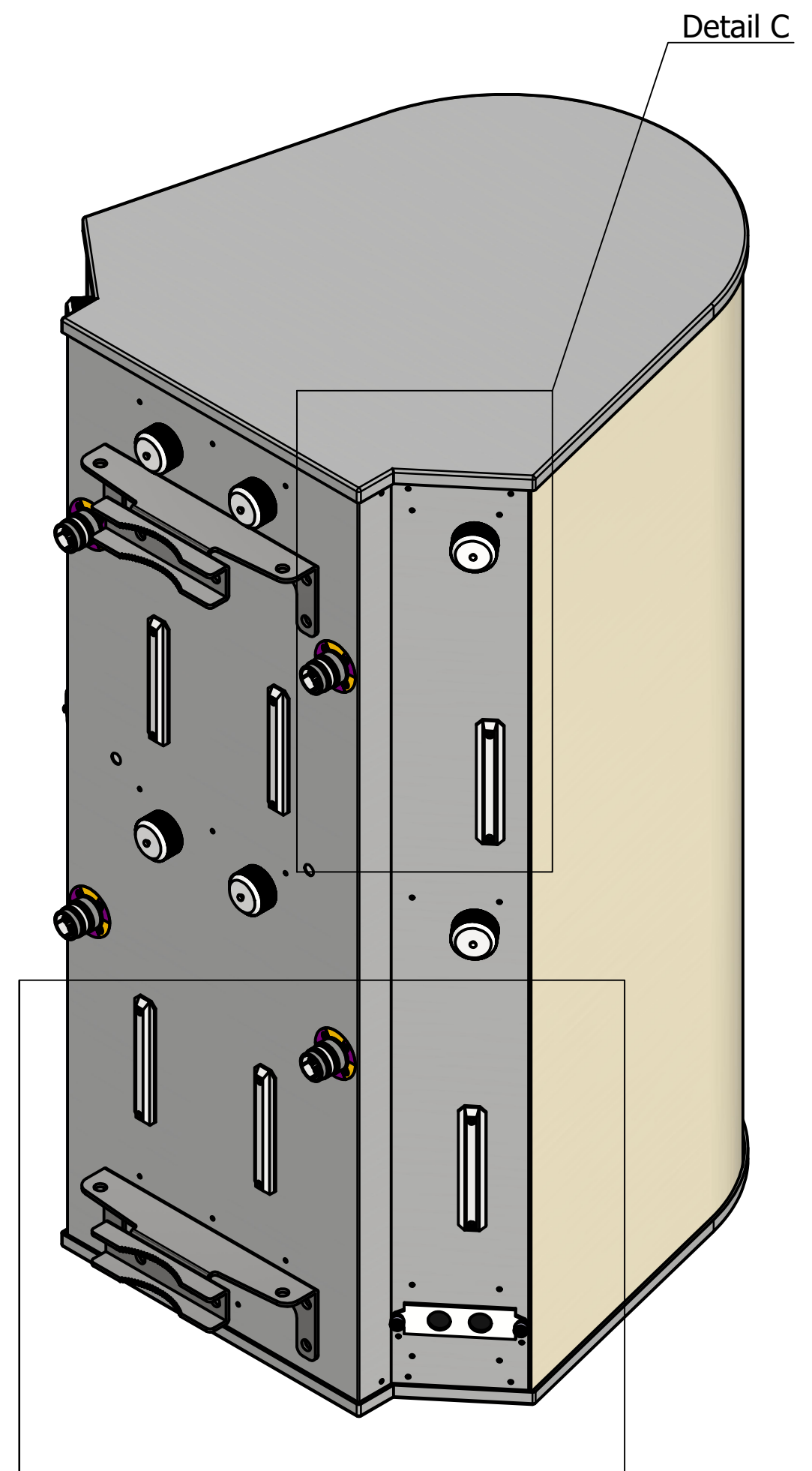
Designed by PAVEL	Drawing by LAWRENCE	Date 18/10/2022	Approved by PAVEL	Date 20/10/2022	Quantity	Material	
MATSING LENS TECHNOLOGY ENABLED						MS-MBA-4.4-SH2-SH2-45M	
MS-MBA-4.4-SH2-SH2-45M (mm)						Revision 1.0	Sheet 1 / 3



Detail C

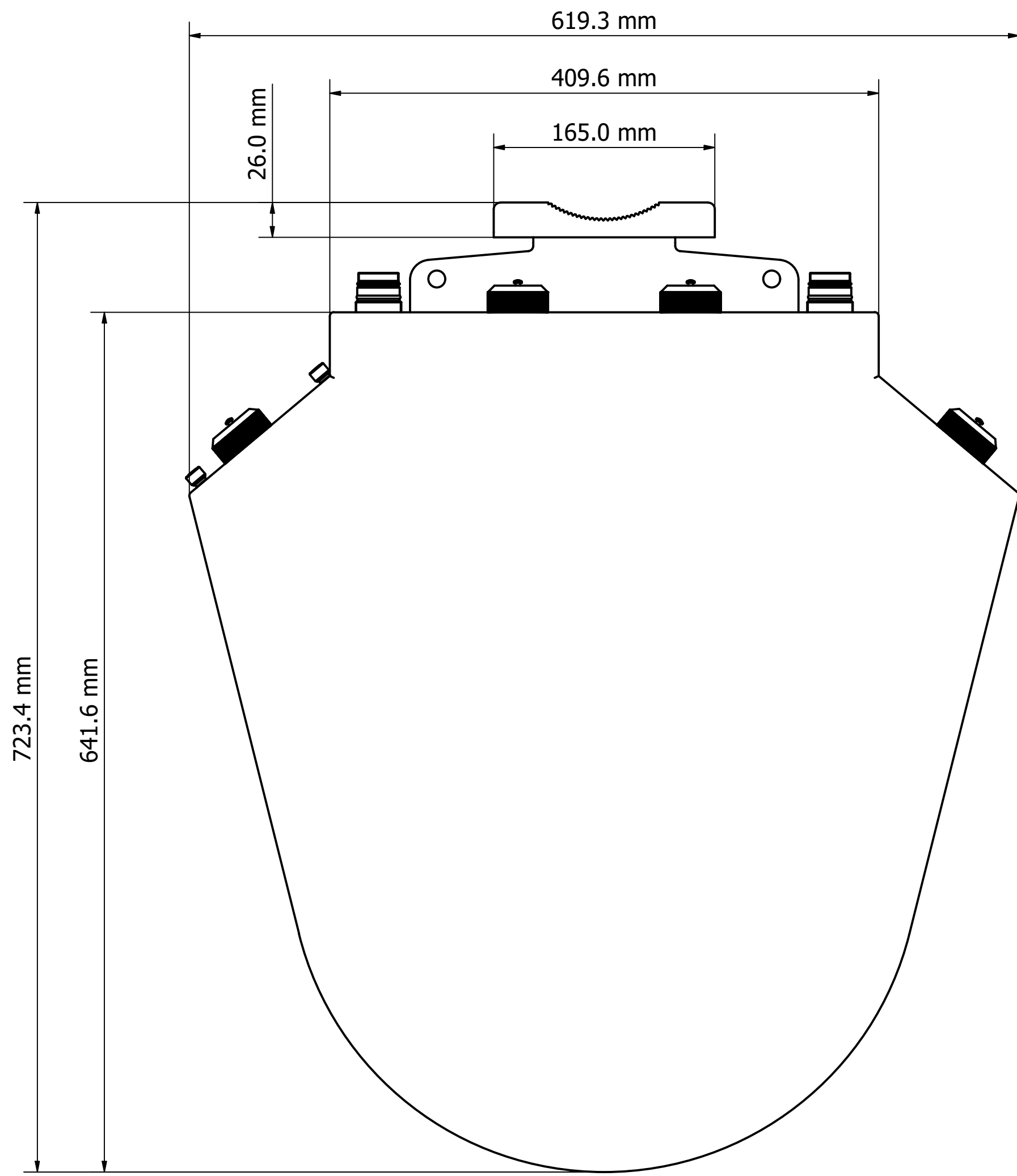


Detail B

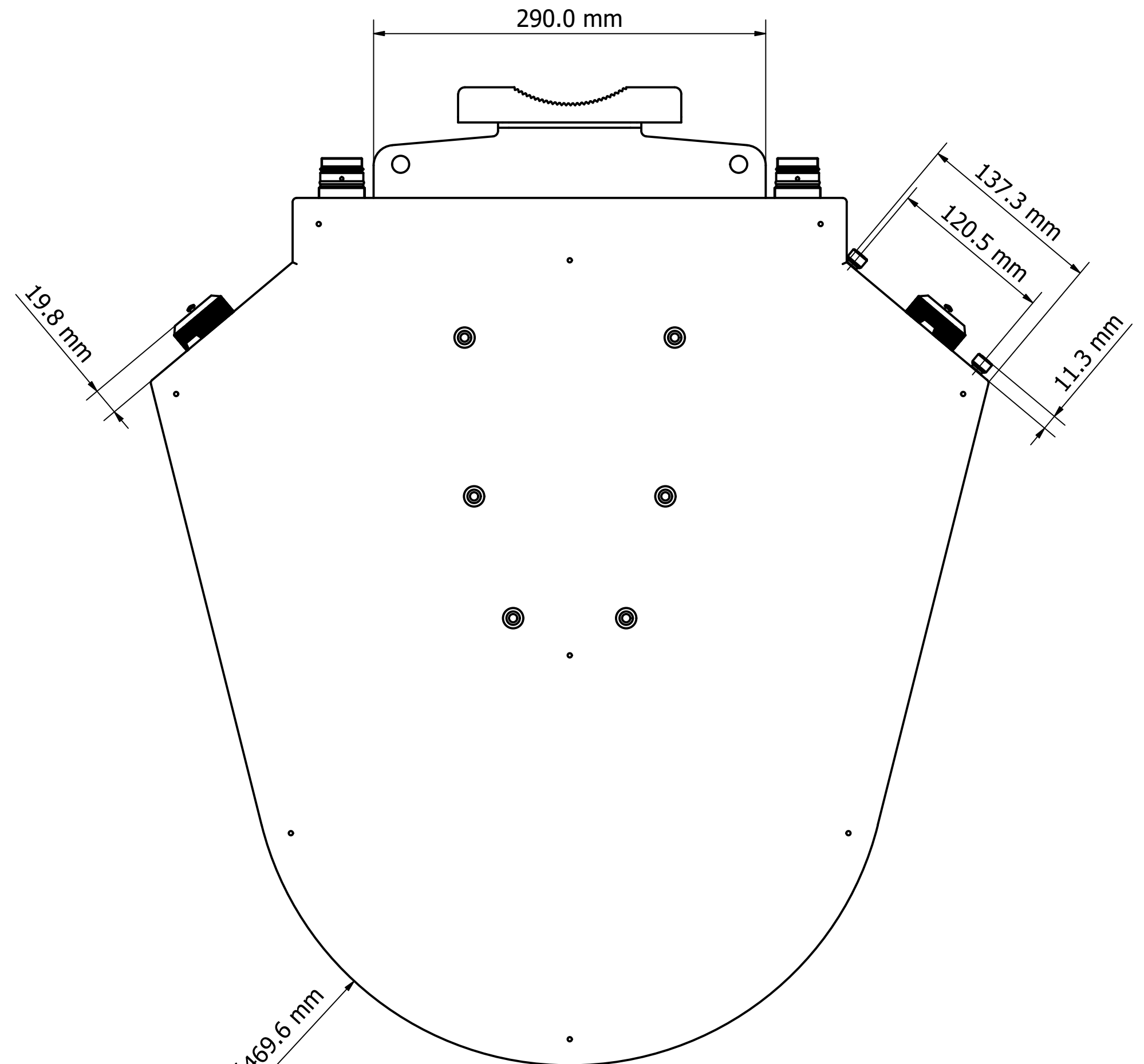


Detail B

Designed by PAVEL	Drawing by LAWRENCE	Date 18/10/2022	Approved by PAVEL	Date 20/10/2022	Quantity	Material
MATSING LENS TECHNOLOGY ENABLED						MS-MBA-4.4-SH2-SH2-45M
						MS-MBA-4.4-SH2-SH2-45M (mm)



Top View



Bottom View

Designed by PAVEL	Drawing by LAWRENCE	Date 18/10/2022	Approved by PAVEL	Date 20/10/2022	Quantity	Material
MATSING LENS TECHNOLOGY ENABLED						MS-MBA-4.4-SH2-SH2-45M
MS-MBA-4.4-SH2-SH2-45M (mm)					Revision 1.0	Sheet 3 / 3