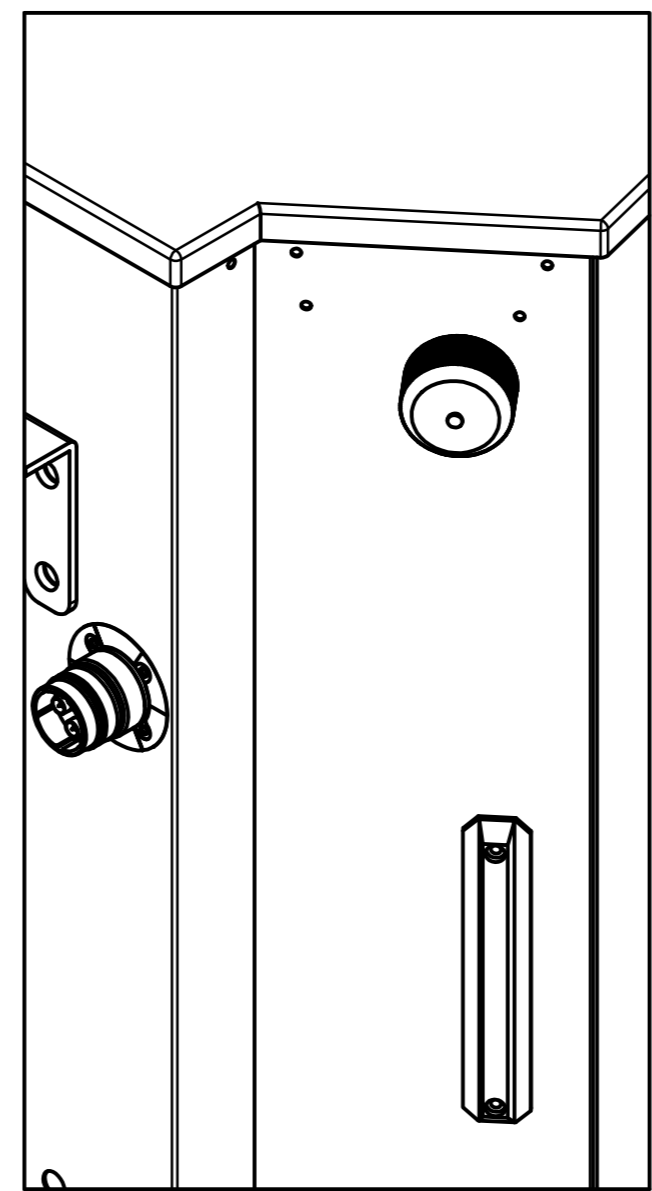
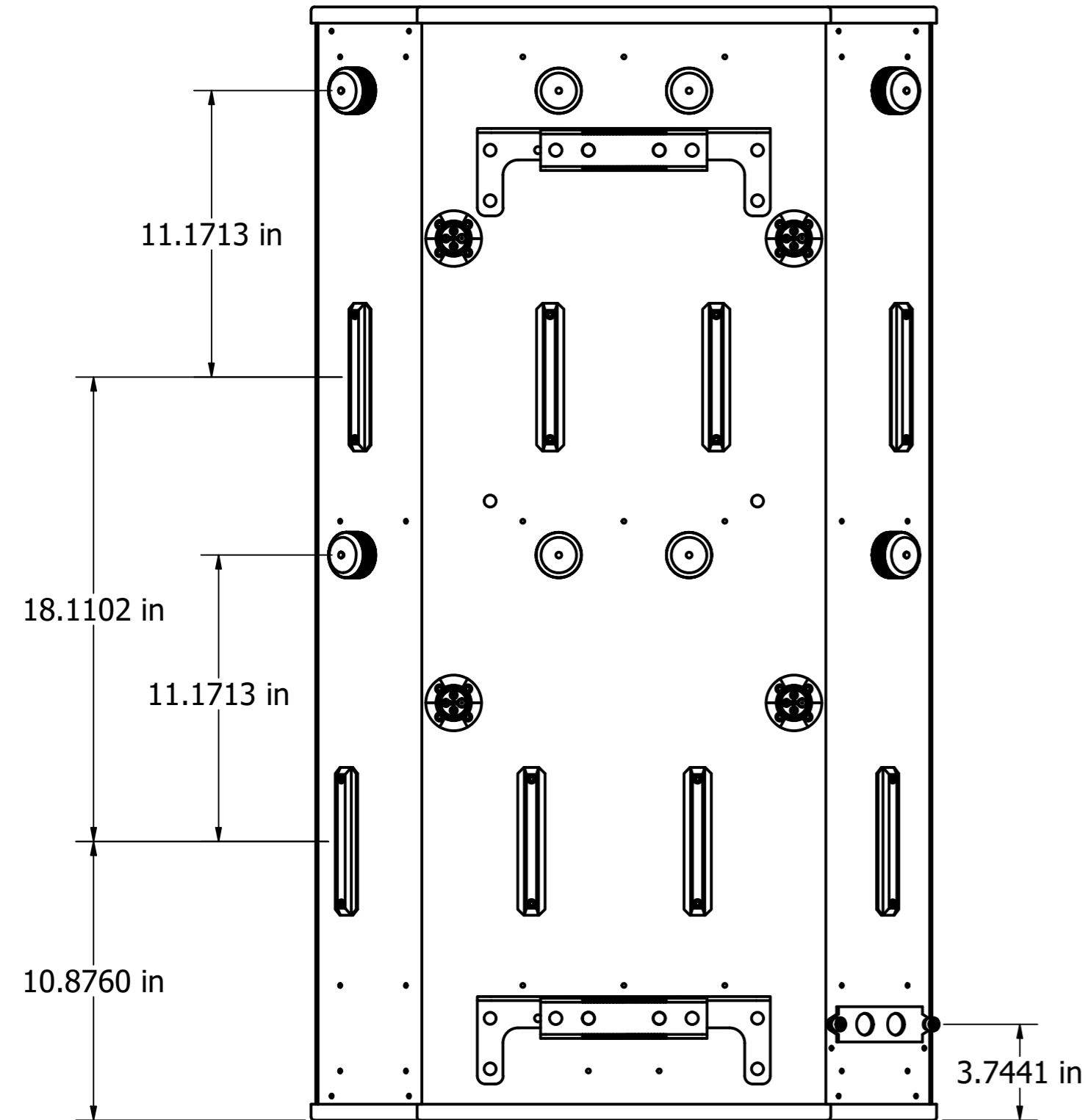
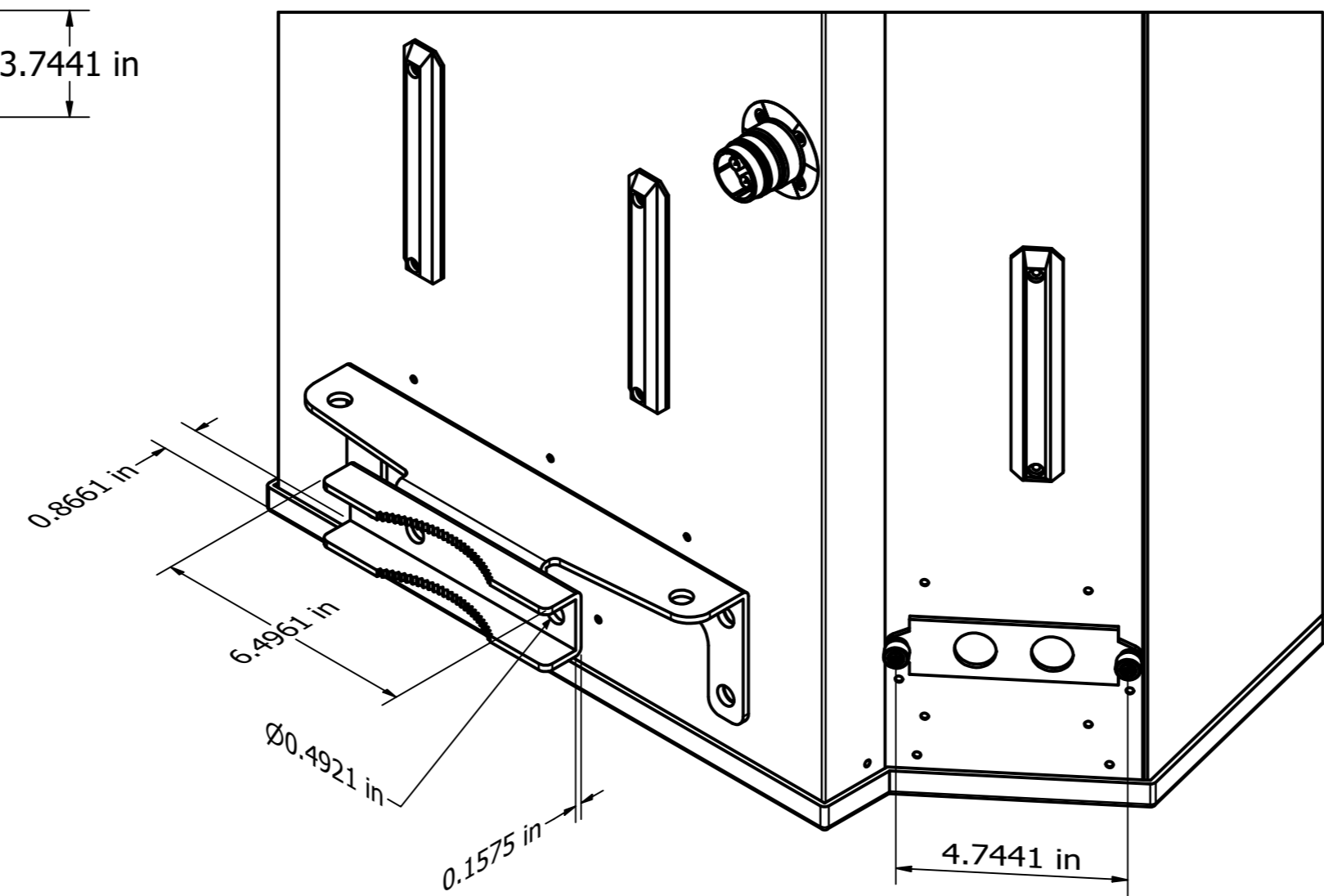


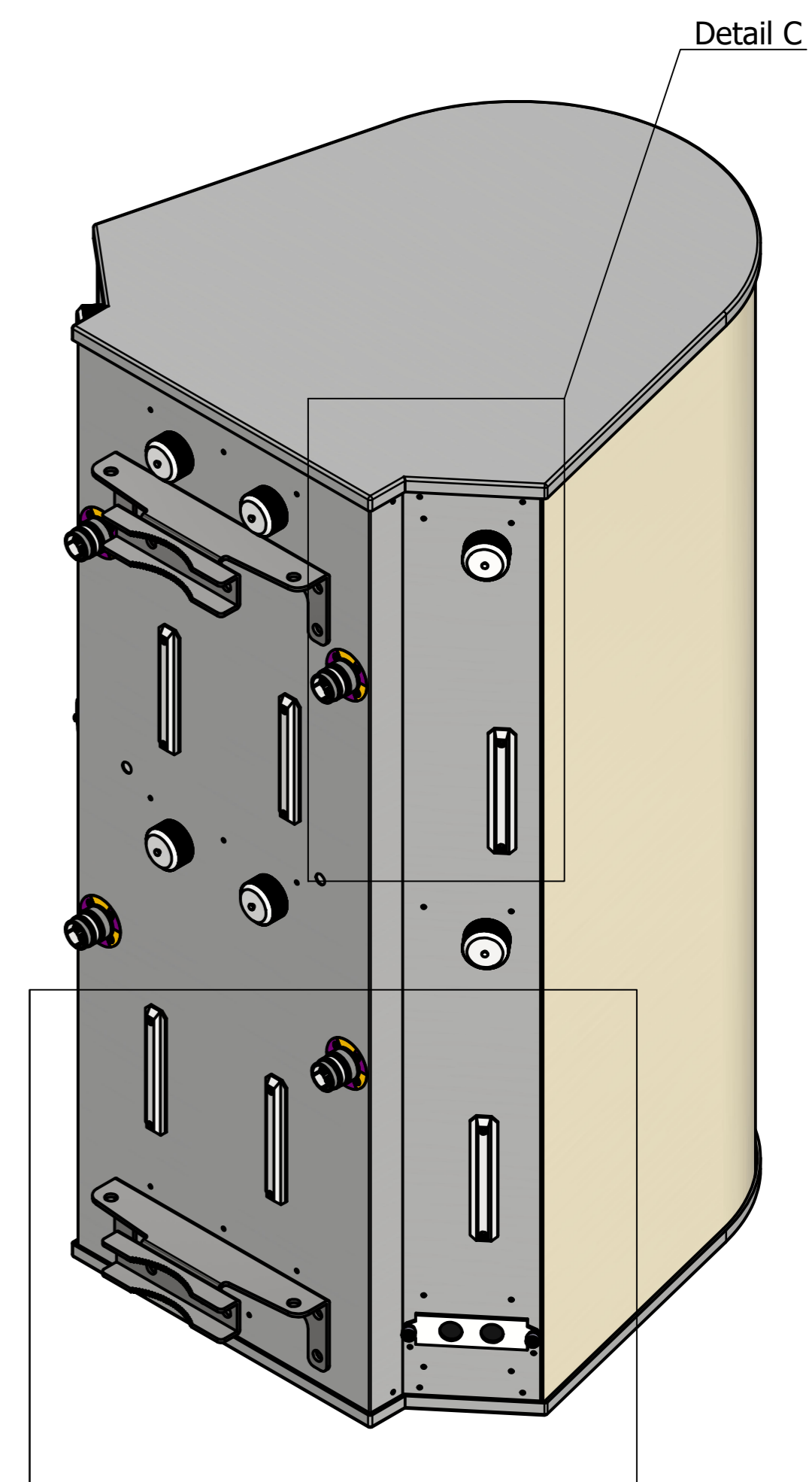
Designed by	Drawing by	Date	Approved by	Date	Quantity	Material	
PAVEL	LAWRENCE	18/10/2022	PAVEL	20/10/2022			
<b>MATSING</b> LENS TECHNOLOGY ENABLED						MS-MBA-4.4-SH2-SH2-45M	
						MS-MBA-4.4-SH2-SH2-45M (in)	Revision 1.0 Sheet 1 / 3



Detail C

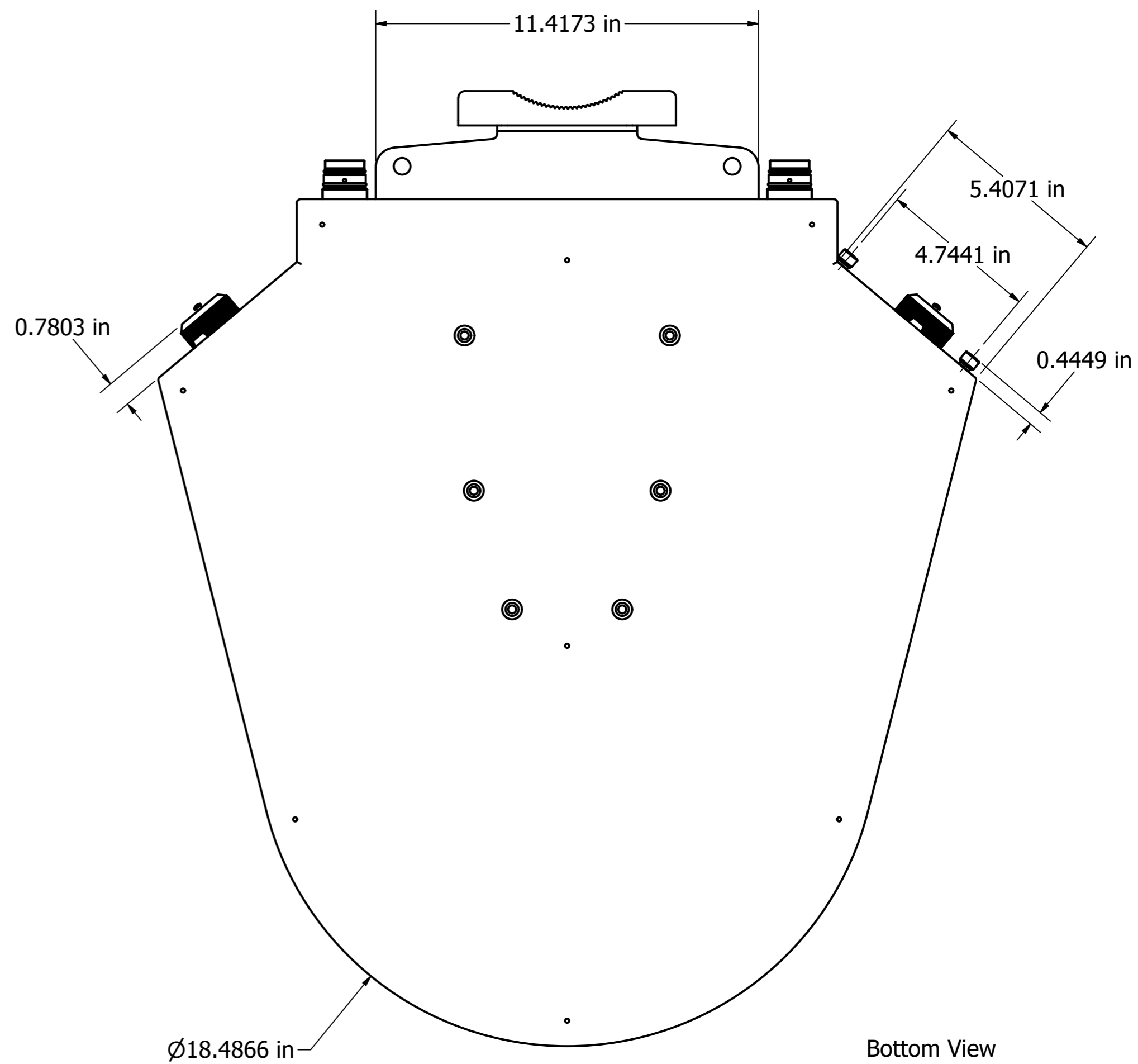
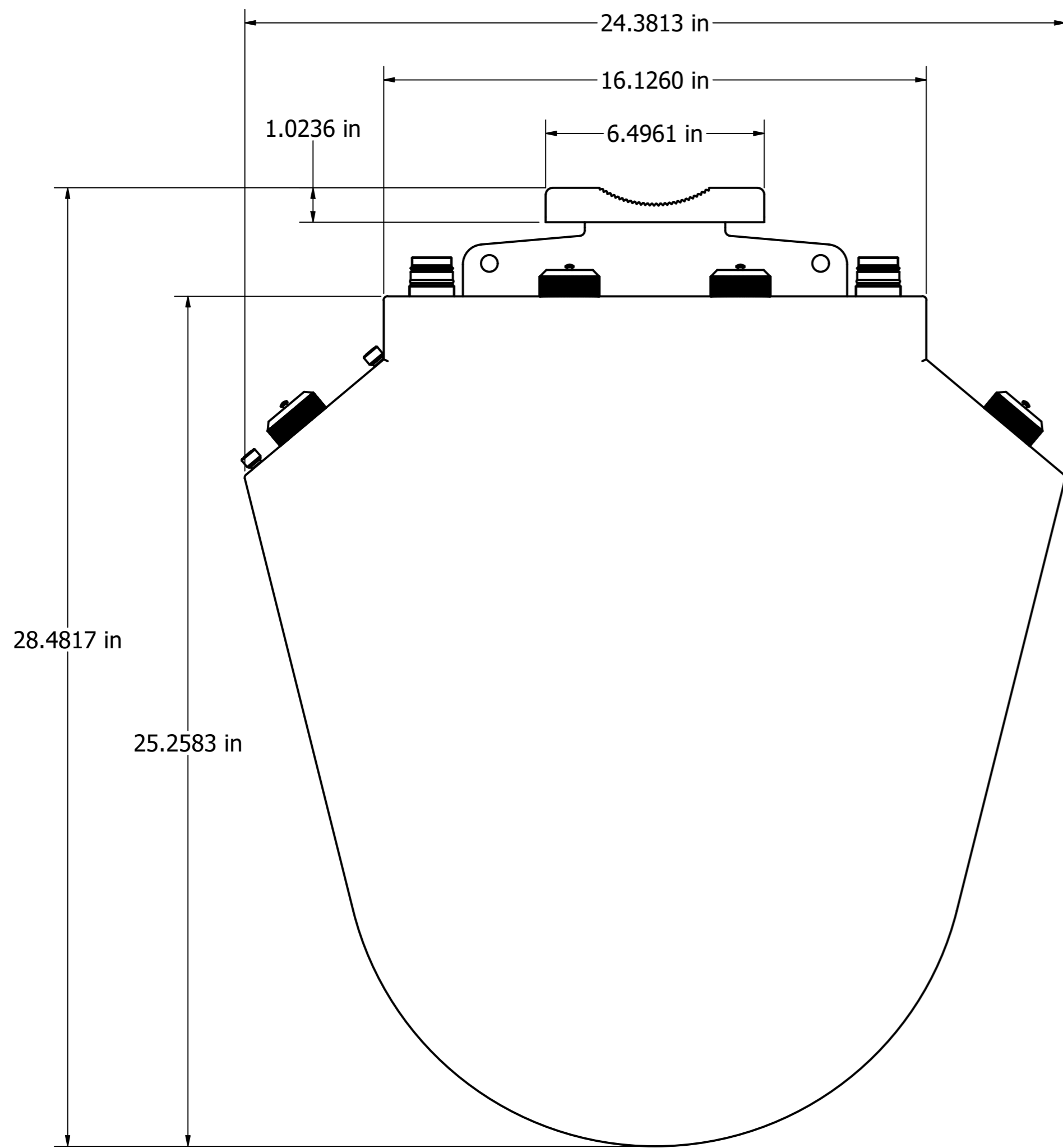



Detail B



Detail B

Designed by PAVEL	Drawing by LAWRENCE	Date 18/10/2022	Approved by PAVEL	Date 20/10/2022	Quantity	Material
<b>MATSING</b> LENS TECHNOLOGY ENABLED						MS-MBA-4.4-SH2-SH2-45M
MS-MBA-4.4-SH2-SH2-45M (in)					Revision 1.0	Sheet 2 / 3



Designed by	Drawing by	Date	Approved by	Date	Quantity	Material
PAVEL	LAWRENCE	18/10/2022	PAVEL	20/10/2022		
 <b>MS-MBA-4.4-SH2-SH2-45M</b>						
						MS-MBA-4.4-SH2-SH2-45M (in) <table border="1" style="float: right;"> <tr> <td>Revision</td> <td>Sheet</td> </tr> <tr> <td>1.0</td> <td>3 / 3</td> </tr> </table>
Revision	Sheet					
1.0	3 / 3					