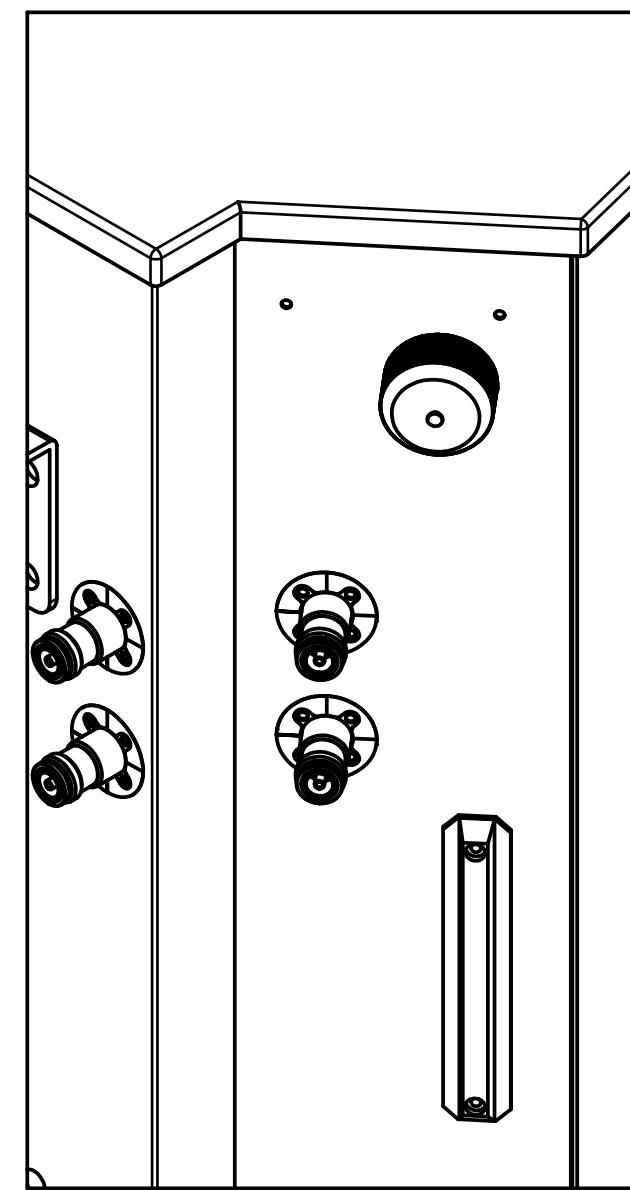
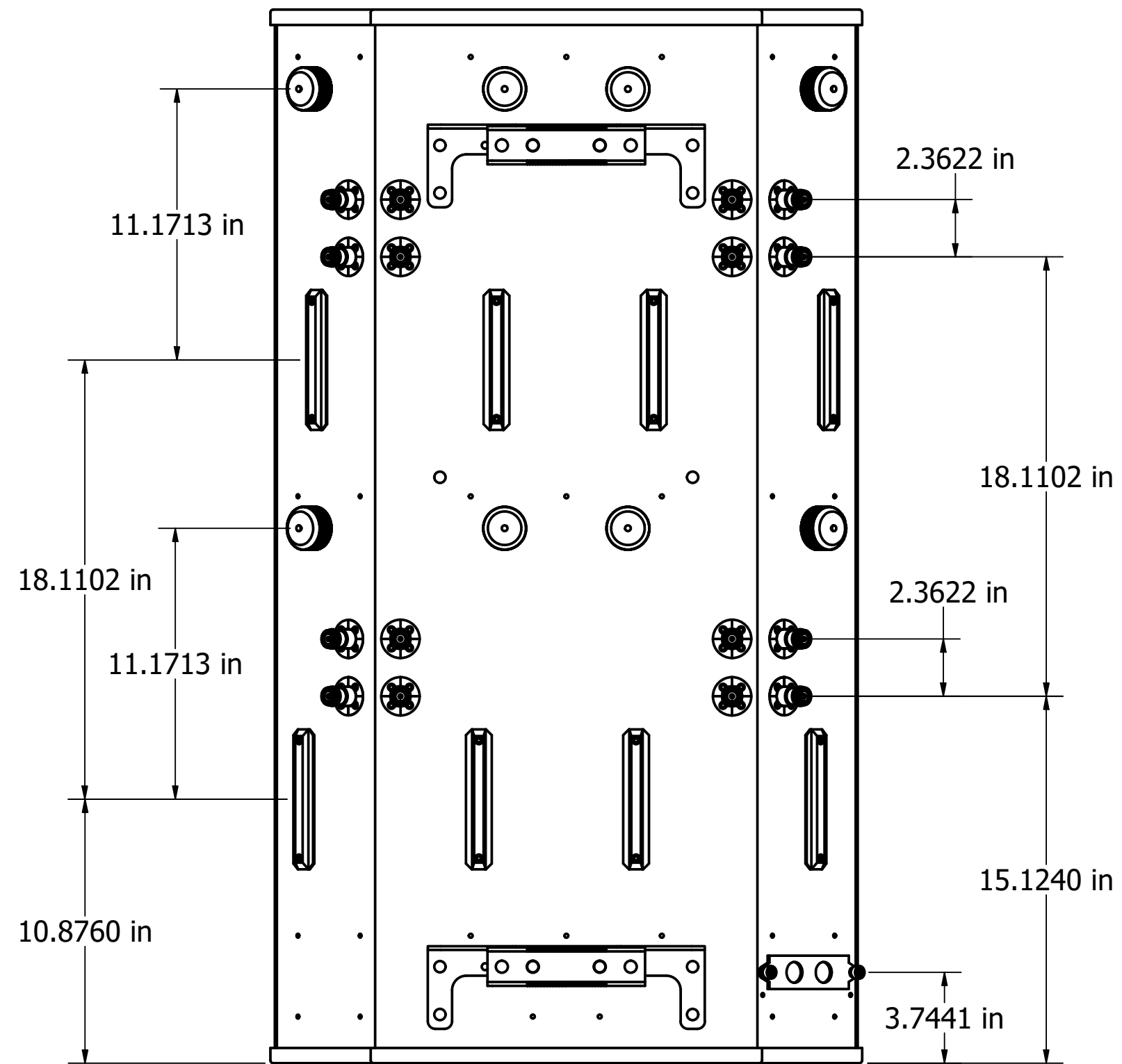
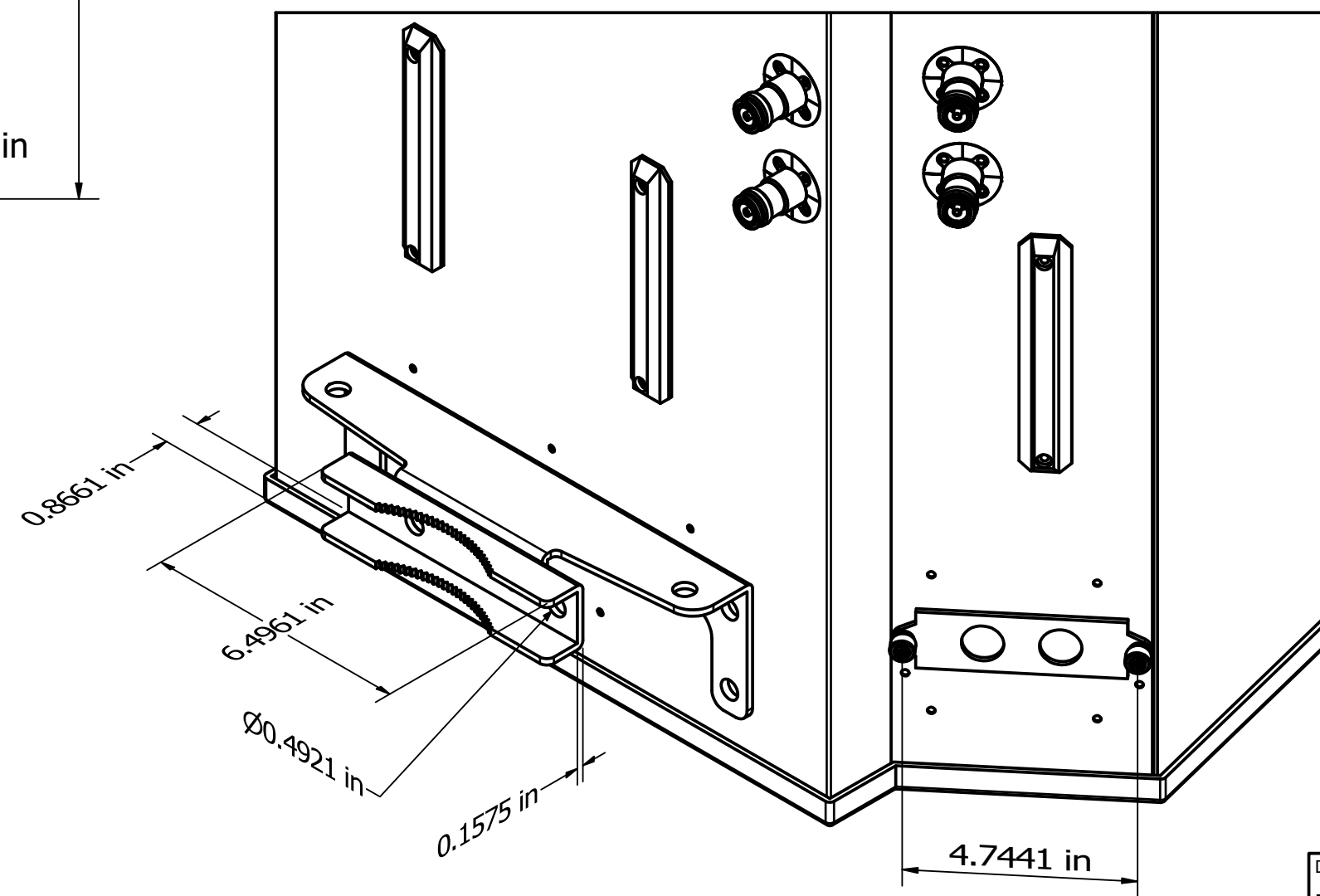


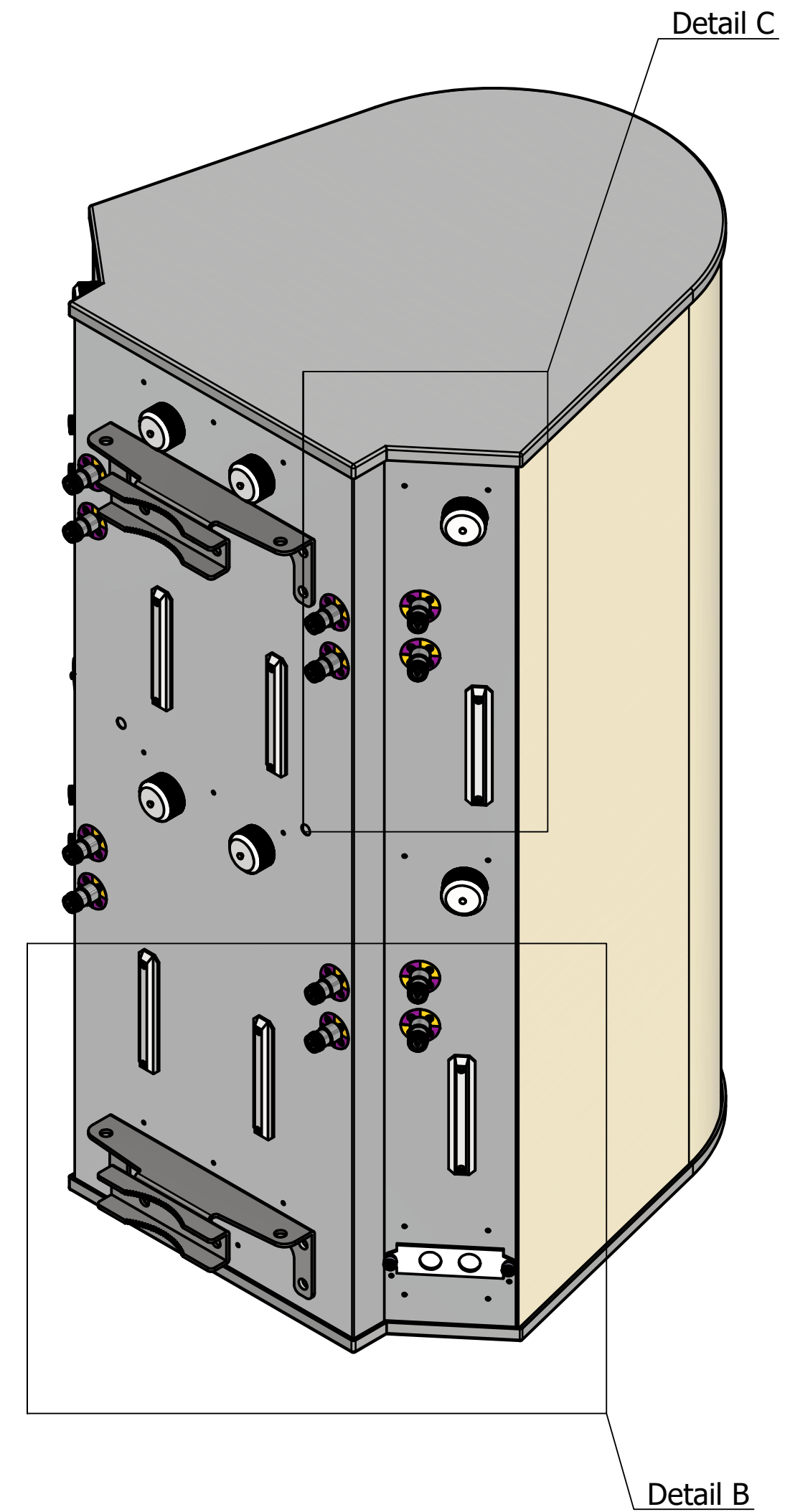
Designed by PAVEL	Drawing by LAWRENCE	Date 8/12/2021	Approved by PAVEL	Date 10/12/2021	Quantity	Material
MATSING LENS TECHNOLOGY ENABLED						MS-MBA-4.4-SH2-SH2-45
MS-MBA-4.4-SH2-SH2-45 (in)					Revision 1.0	Sheet 1 / 3



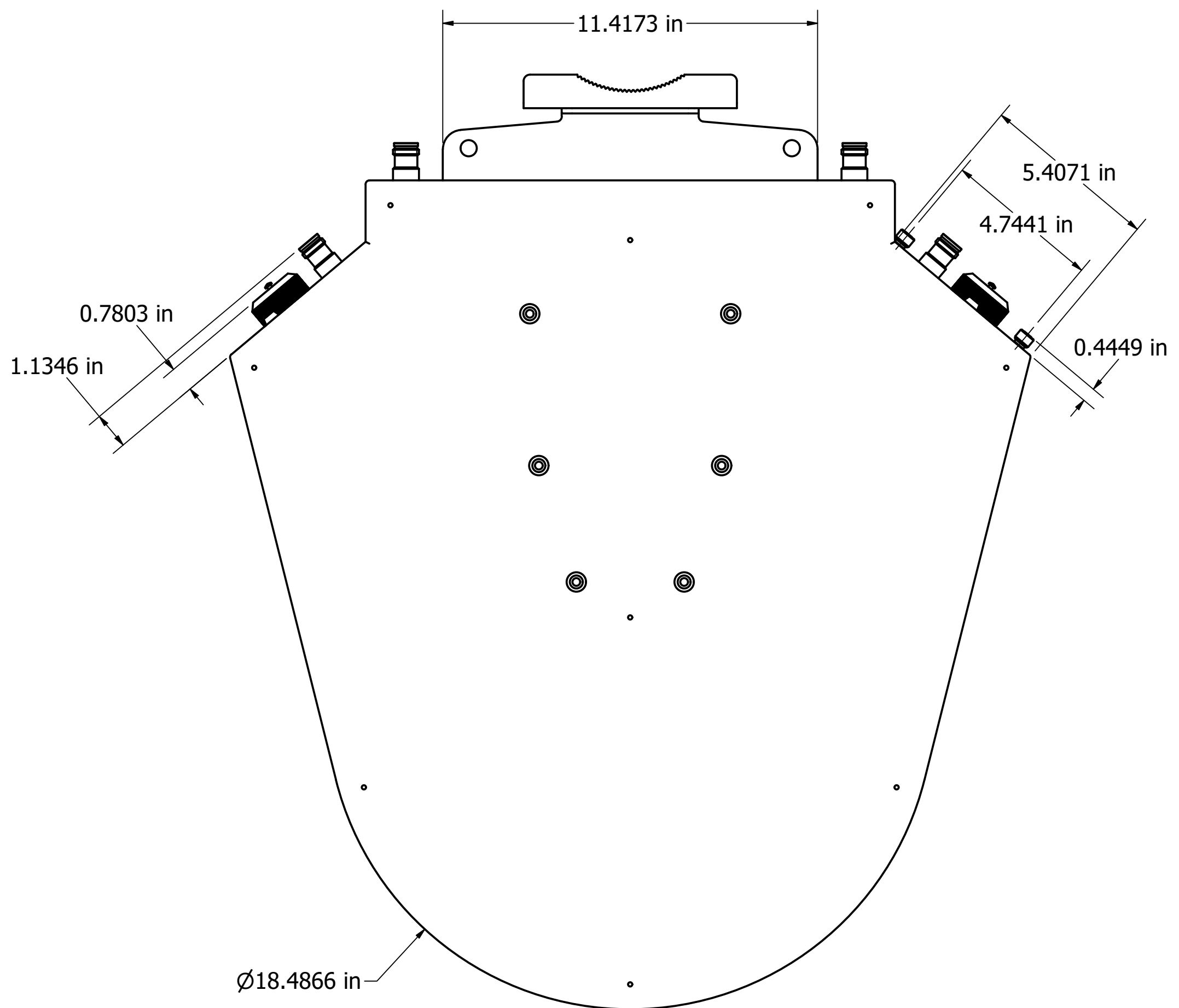
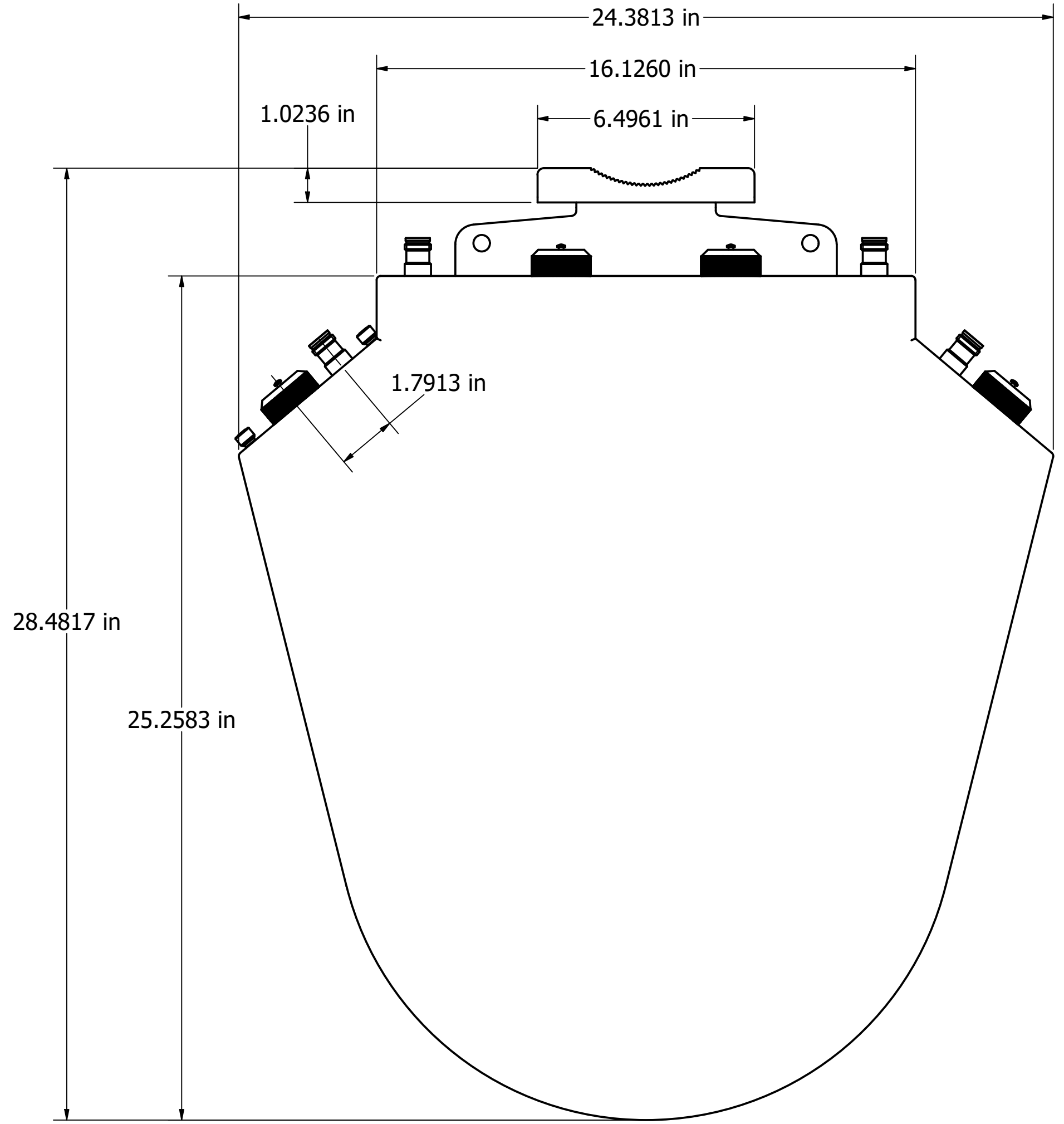
Detail C



Detail B



Designed by	Drawing by	Date	Approved by	Date	Quantity	Material
PAVEL	LAWRENCE	8/12/2021	PAVEL	10/12/2021		
MATSING LENS TECHNOLOGY ENABLED						MS-MBA-4.4-SH2-SH2-45
						MS-MBA-4.4-SH2-SH2-45 (in)
						Revision 1.0
						Sheet 2 / 3



Designed by PAVEL	Drawing by LAWRENCE	Date 8/12/2021	Approved by PAVEL	Date 10/12/2021	Quantity	Material
						MS-MBA-4.4-SH2-SH2-45
						MS-MBA-4.4-SH2-SH2-45 (in)