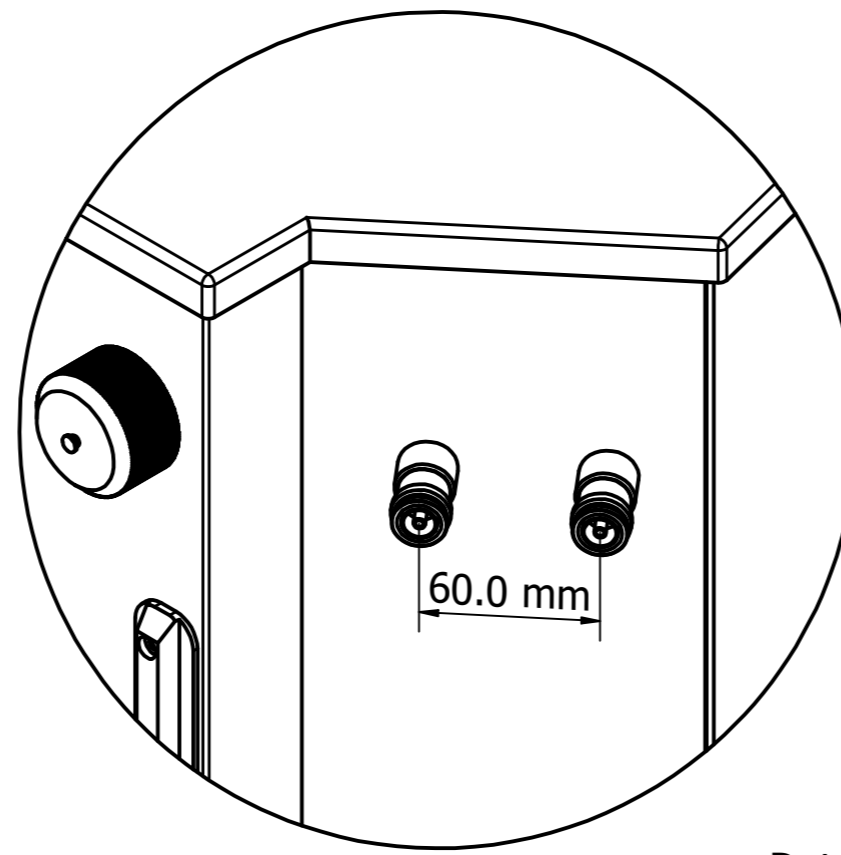
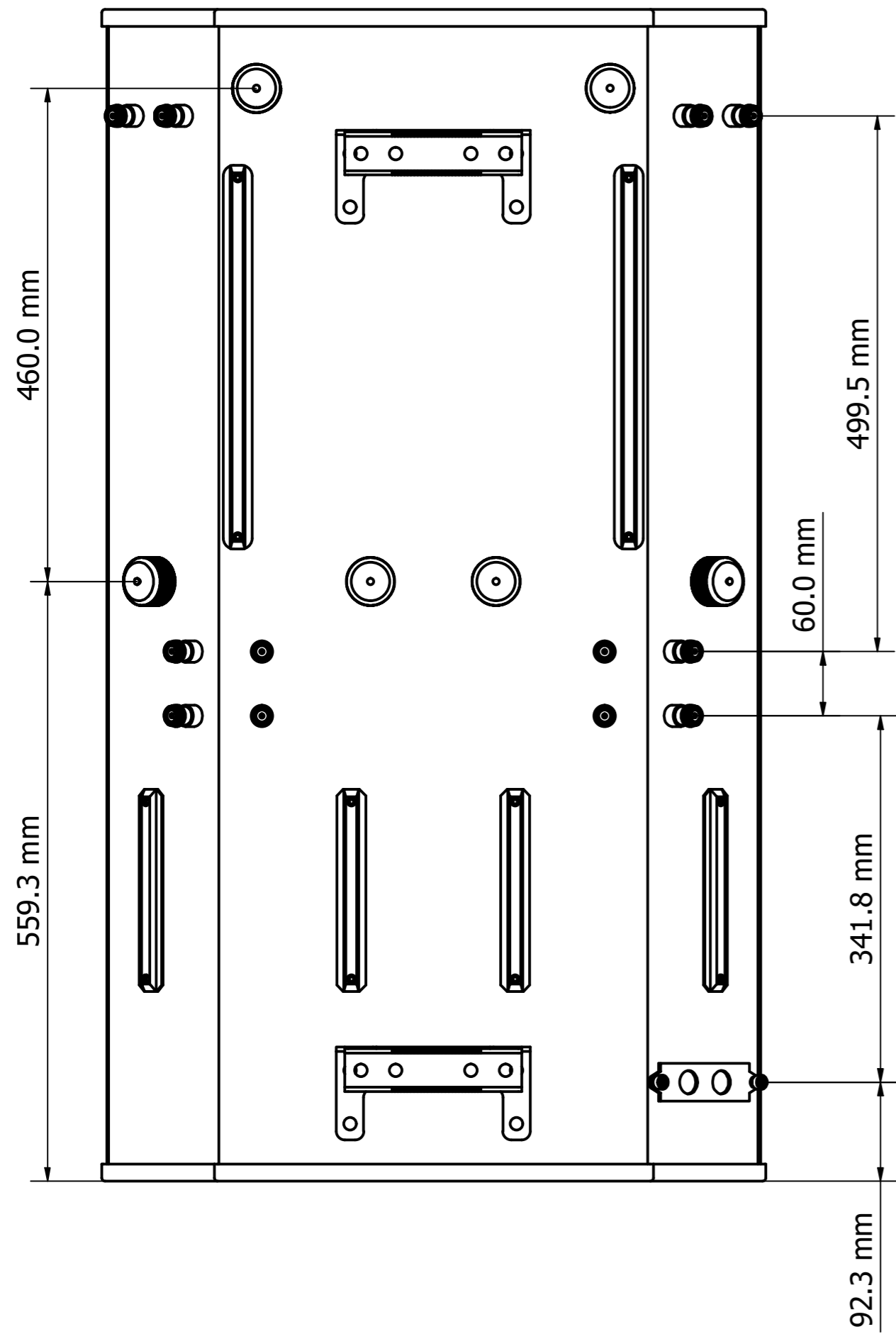
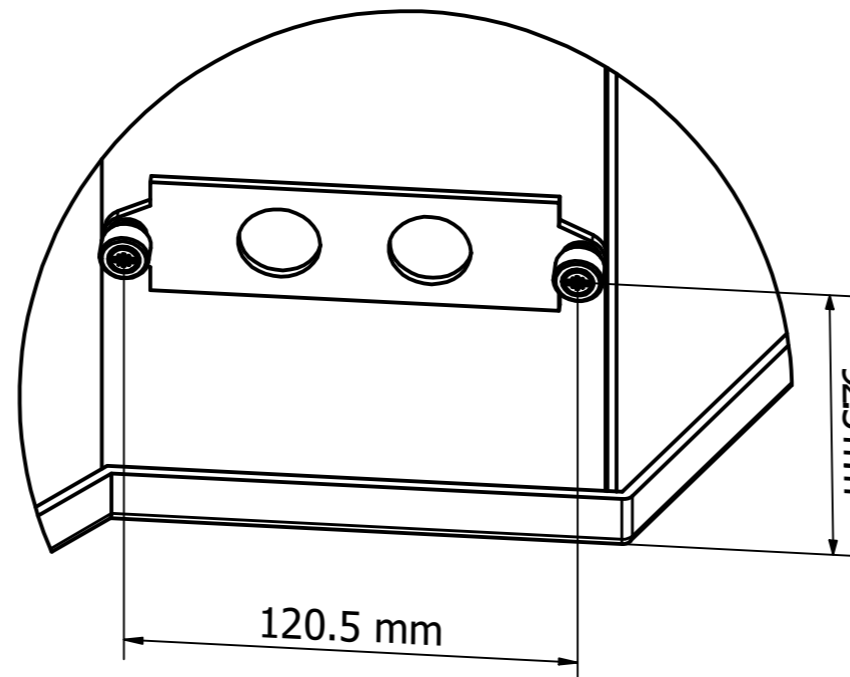


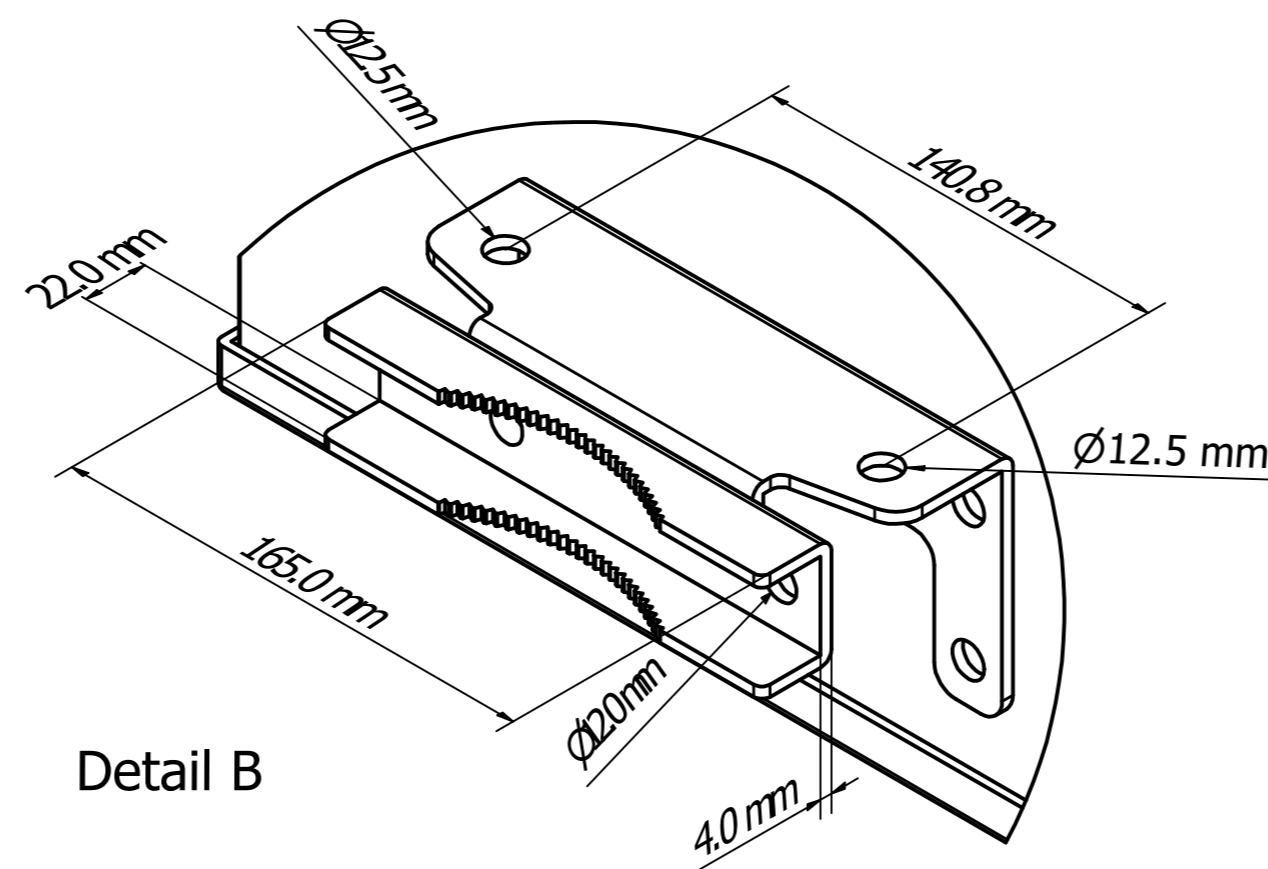
Designed by ALEXANDRE	Drawing by LAWRENCE	Date 15/05/2020	Approved by PAVEL	Date 16/03/2021	Quantity	Material	
<b>MATSING</b> LENS TECHNOLOGY ENABLED						MS-MBA-4.2-H2-T2	
MS-MBA-4.2-H2-T2(mm)						Revision 1.0	Sheet 1 / 3



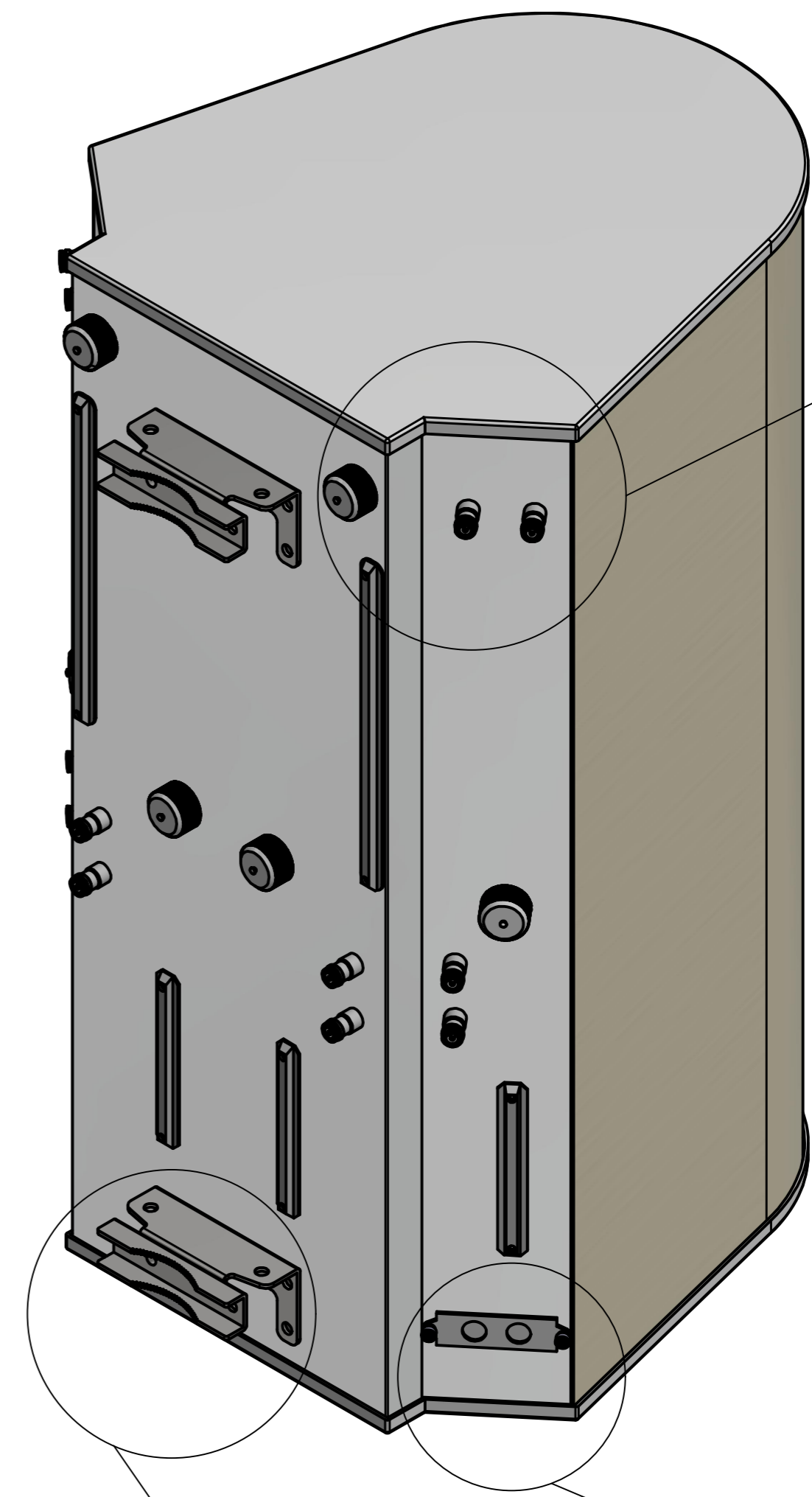
Detail D



Detail C



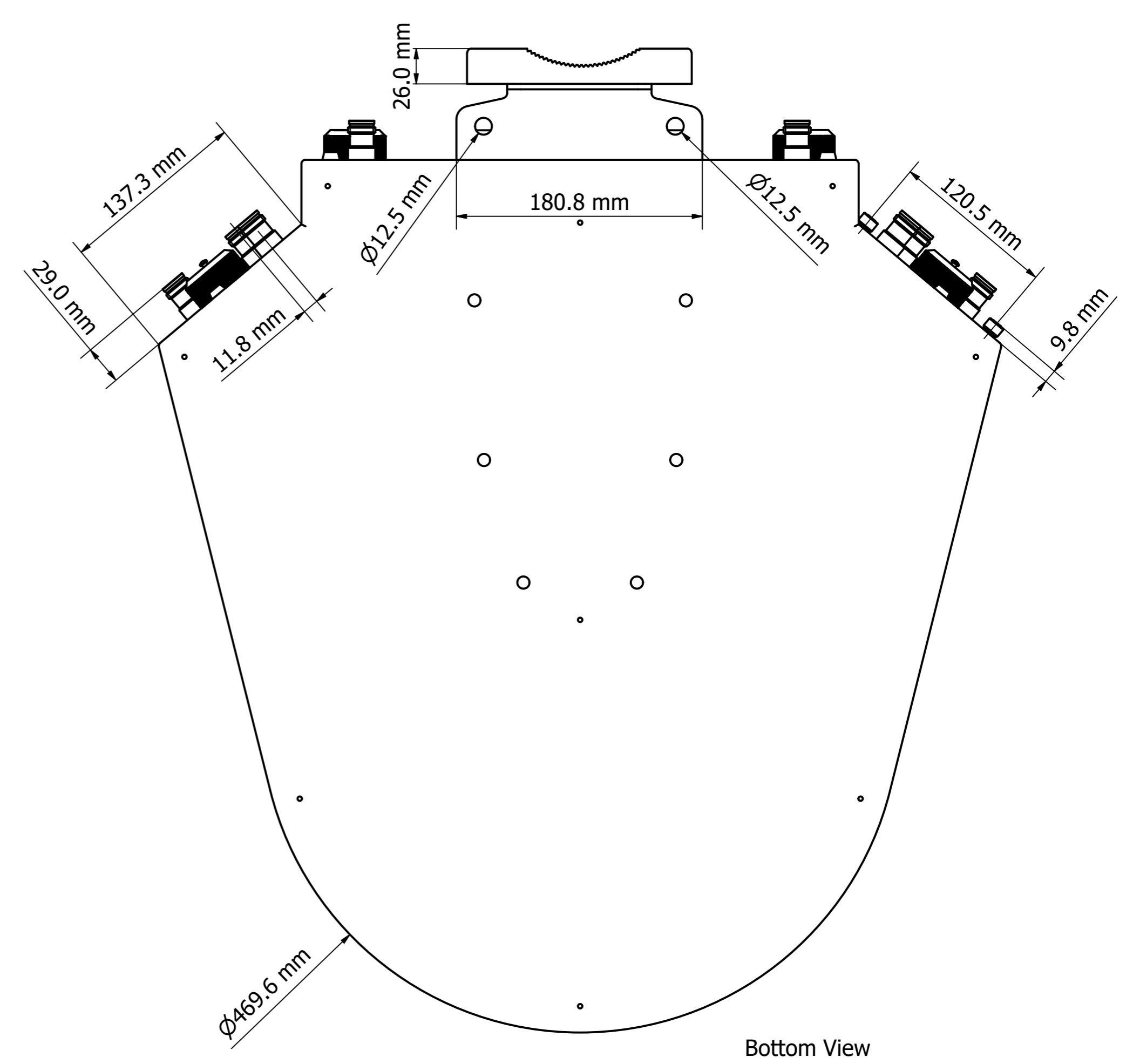
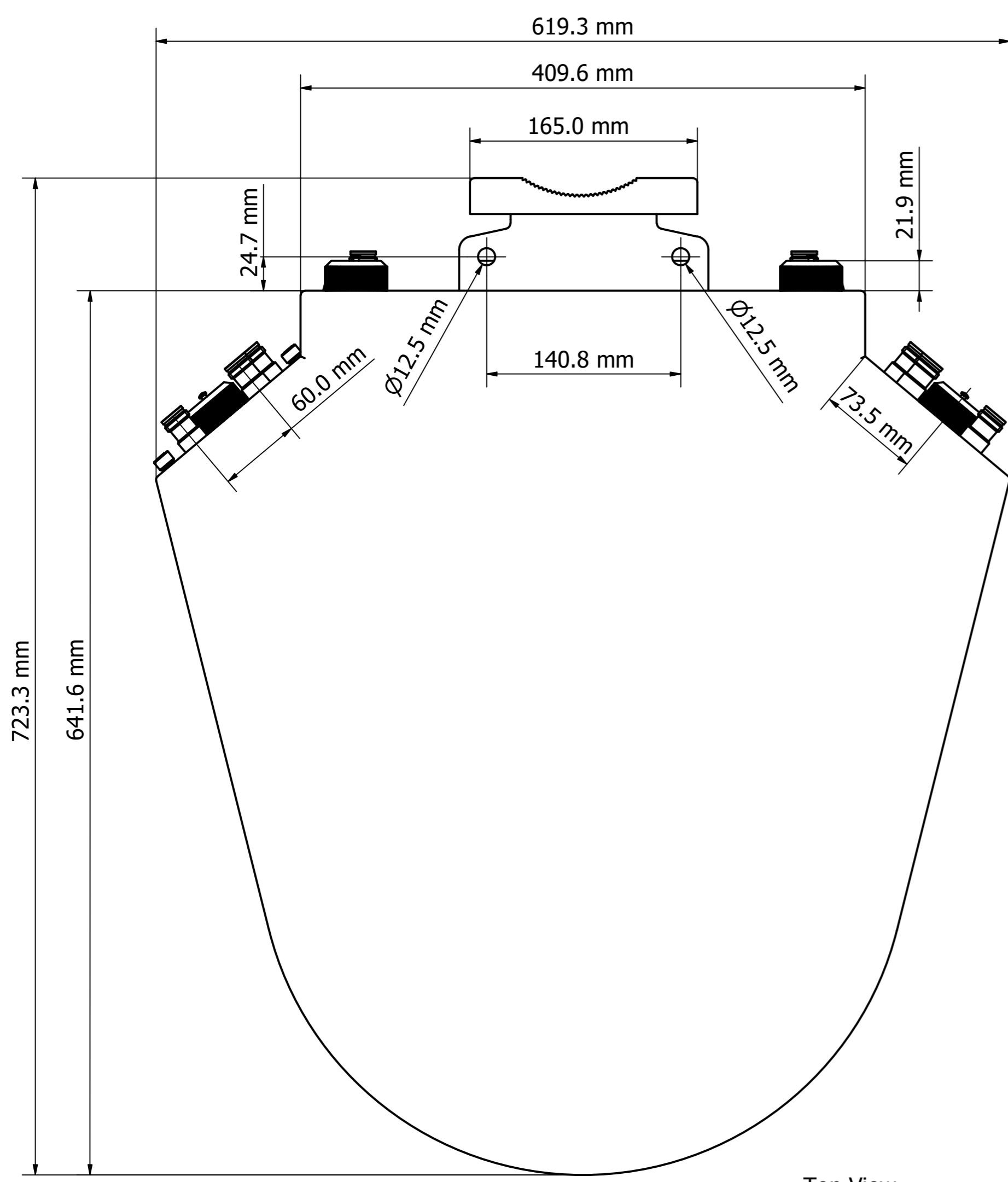
Detail B



Detail B

Detail C

Designed by ALEXANDRE	Drawing by LAWRENCE	Date 15/05/2020	Approved by PAVEL	Date 16/03/2021	Quantity	Material	
<b>MATSING</b> LENS TECHNOLOGY ENABLED						MS-MBA-4.2-H2-T2	
MS-MBA-4.2-H2-T2(mm)						Revision 1.0	Sheet 2 / 3



Designed by	Drawing by	Date	Approved by	Date	Quantity	Material	
ALEXANDRE	LAWRENCE	15/05/2020	PAVEL	16/03/2021			
<b>MATSING</b> LENS TECHNOLOGY ENABLED							
MS-MBA-4.2-H2-T2						Revision	Sheet
MS-MBA-4.2-H2-T2(mm)						1.0	3 / 3