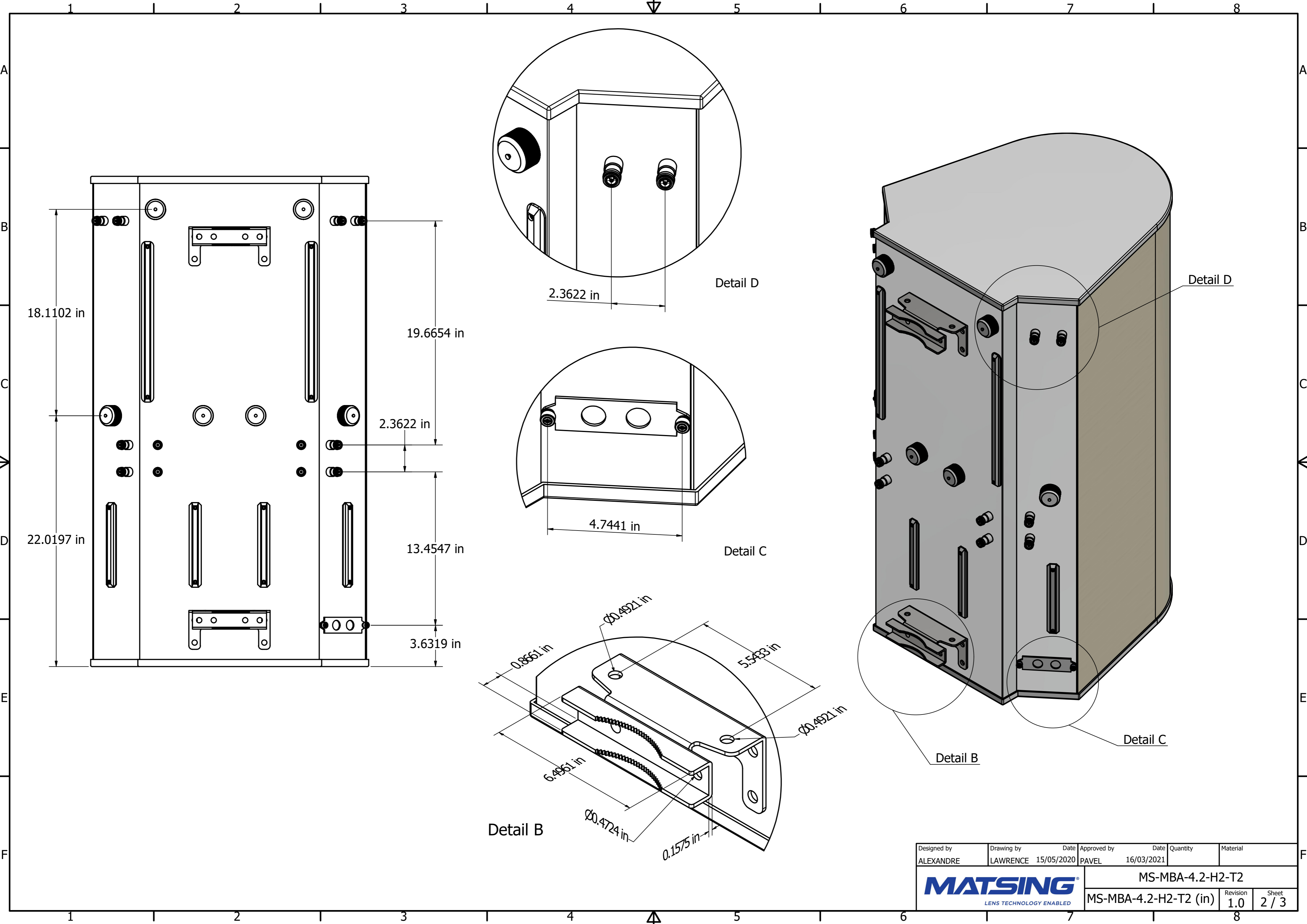
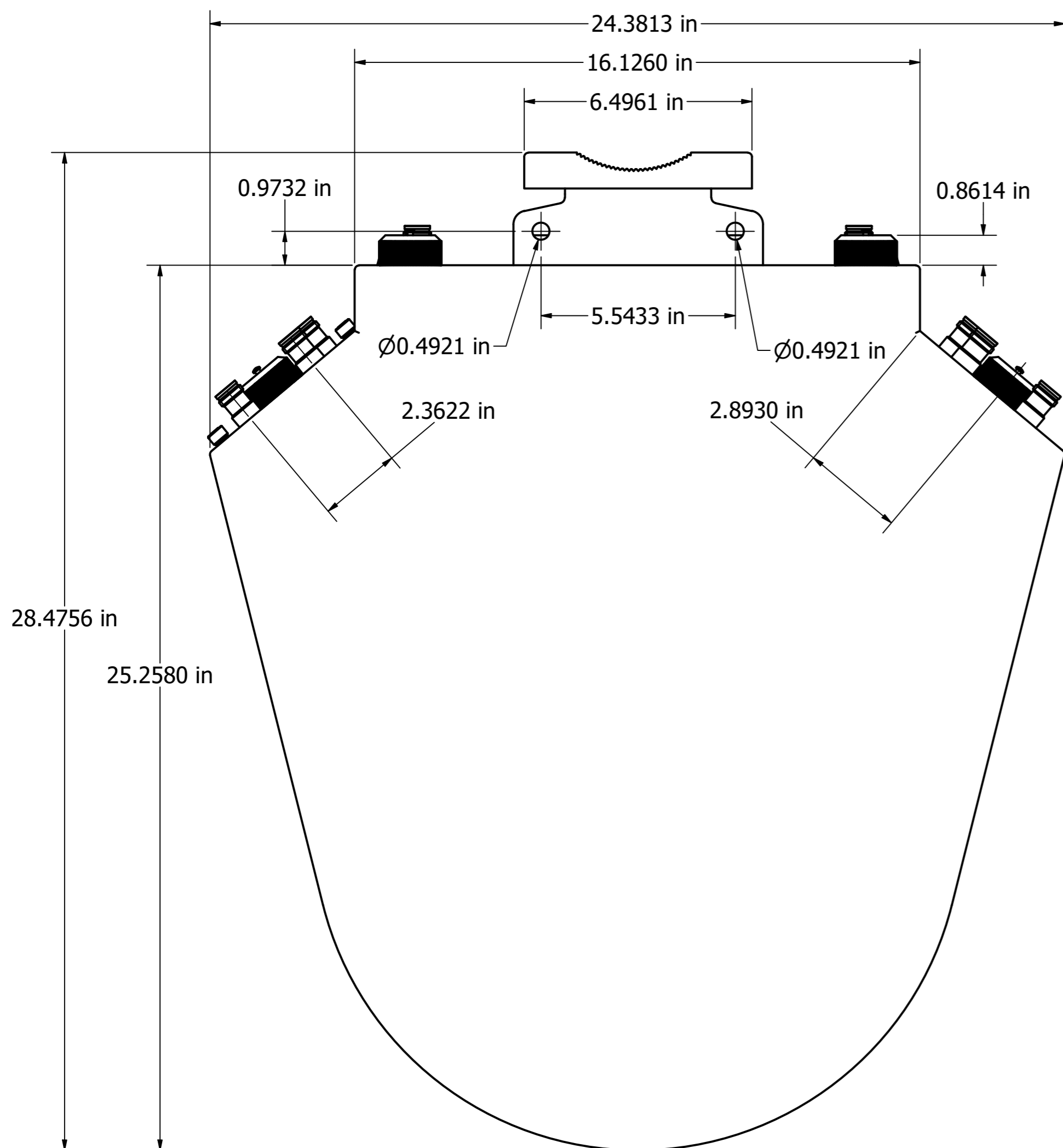


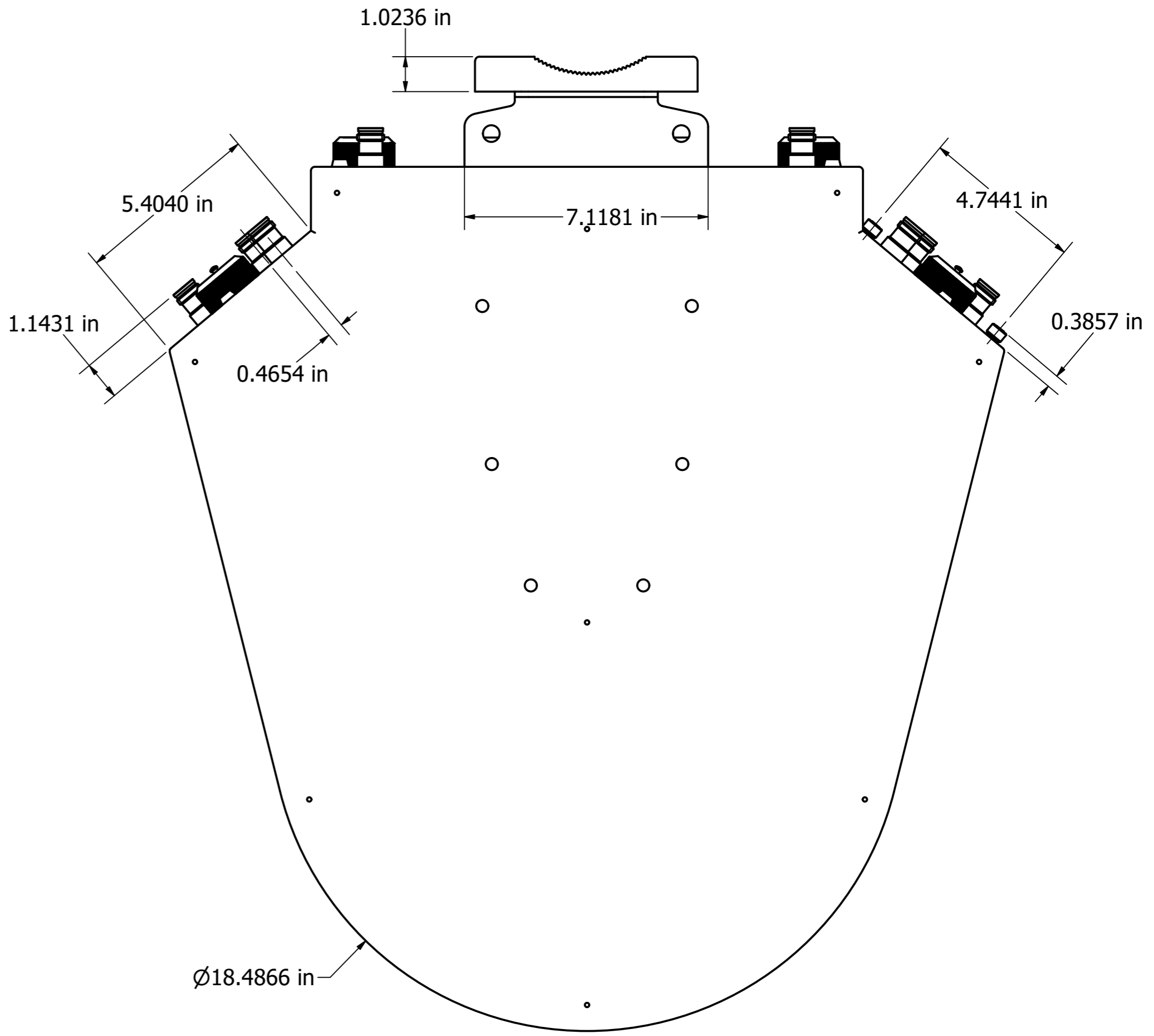
Designed by ALEXANDRE	Drawing by LAWRENCE	Date 15/05/2020	Approved by PAVEL	Date 16/03/2021	Quantity	Material		
<b>MATSING</b> LENS TECHNOLOGY ENABLED						MS-MBA-4.2-H2-T2		
						MS-MBA-4.2-H2-T2 (in)	Revision 1.0	Sheet 1 / 3



Designed by ALEXANDRE	Drawing by LAWRENCE	Date 15/05/2020	Approved by PAVEL	Date 16/03/2021	Quantity	Material
<b>MATSING</b> LENS TECHNOLOGY ENABLED						MS-MBA-4.2-H2-T2
						MS-MBA-4.2-H2-T2 (in)
					Revision 1.0	Sheet 2 / 3



Top View



Bottom View

Designed by ALEXANDRE	Drawing by LAWRENCE	Date 15/05/2020	Approved by PAVEL	Date 16/03/2021	Quantity	Material
<b>MATSING</b> LENS TECHNOLOGY ENABLED						MS-MBA-4.2-H2-T2
MS-MBA-4.2-H2-T2 (in)					Revision 1.0	Sheet 3 / 3