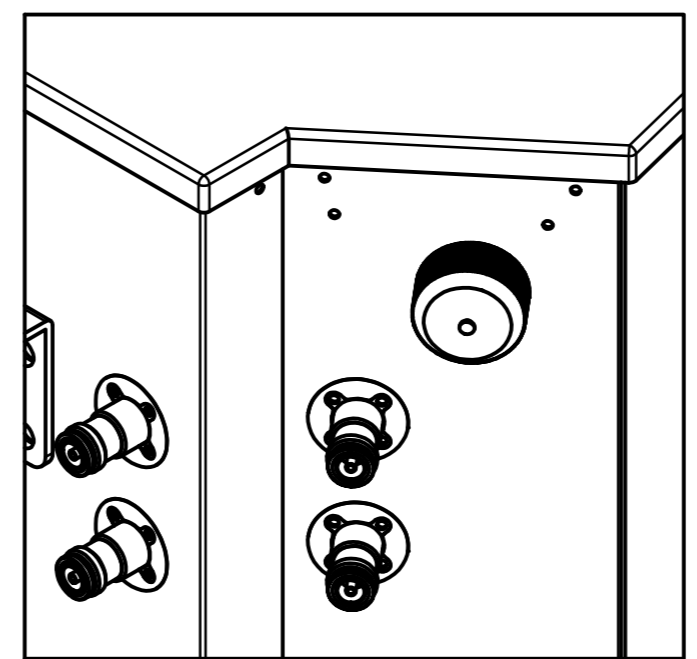
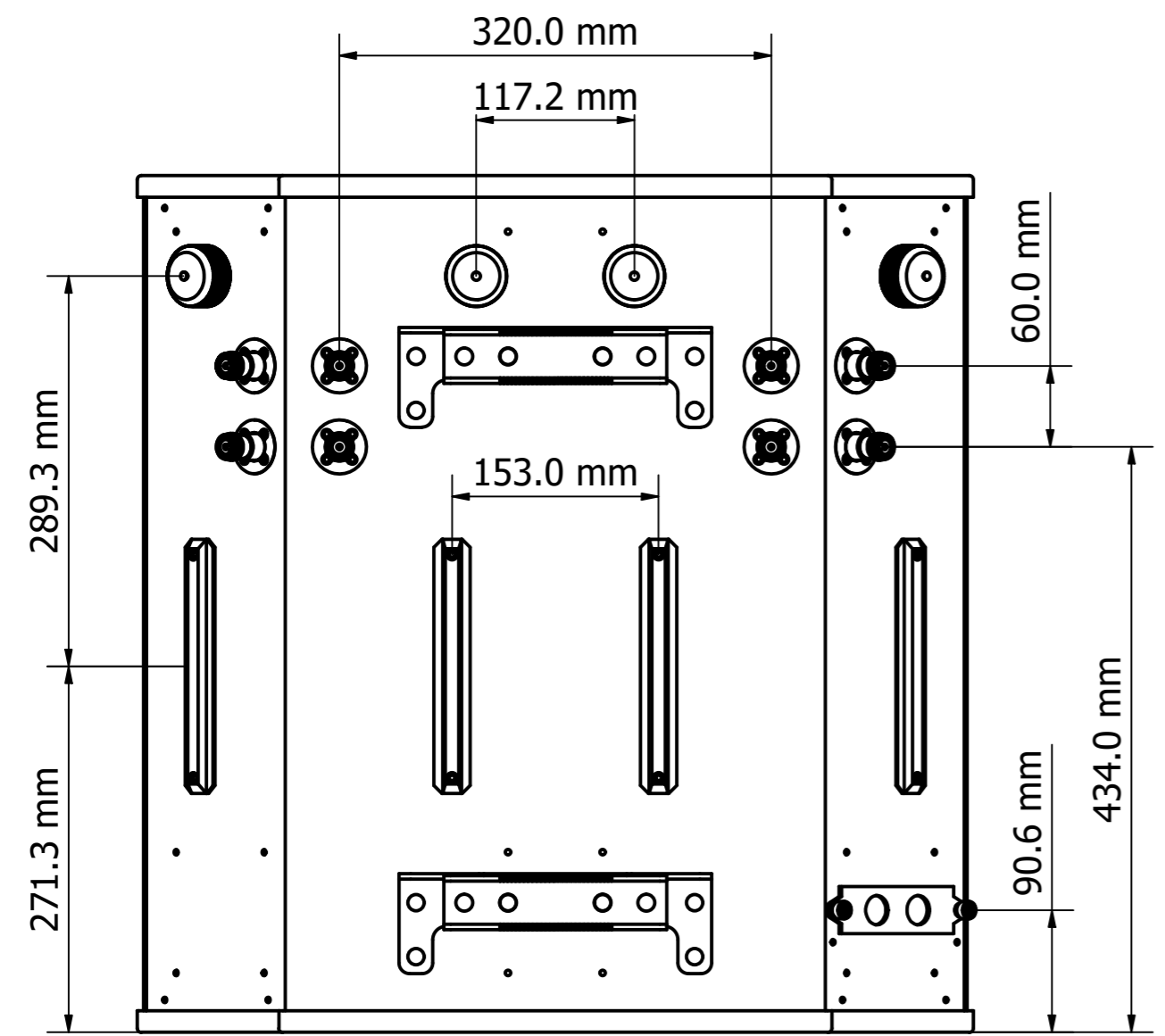
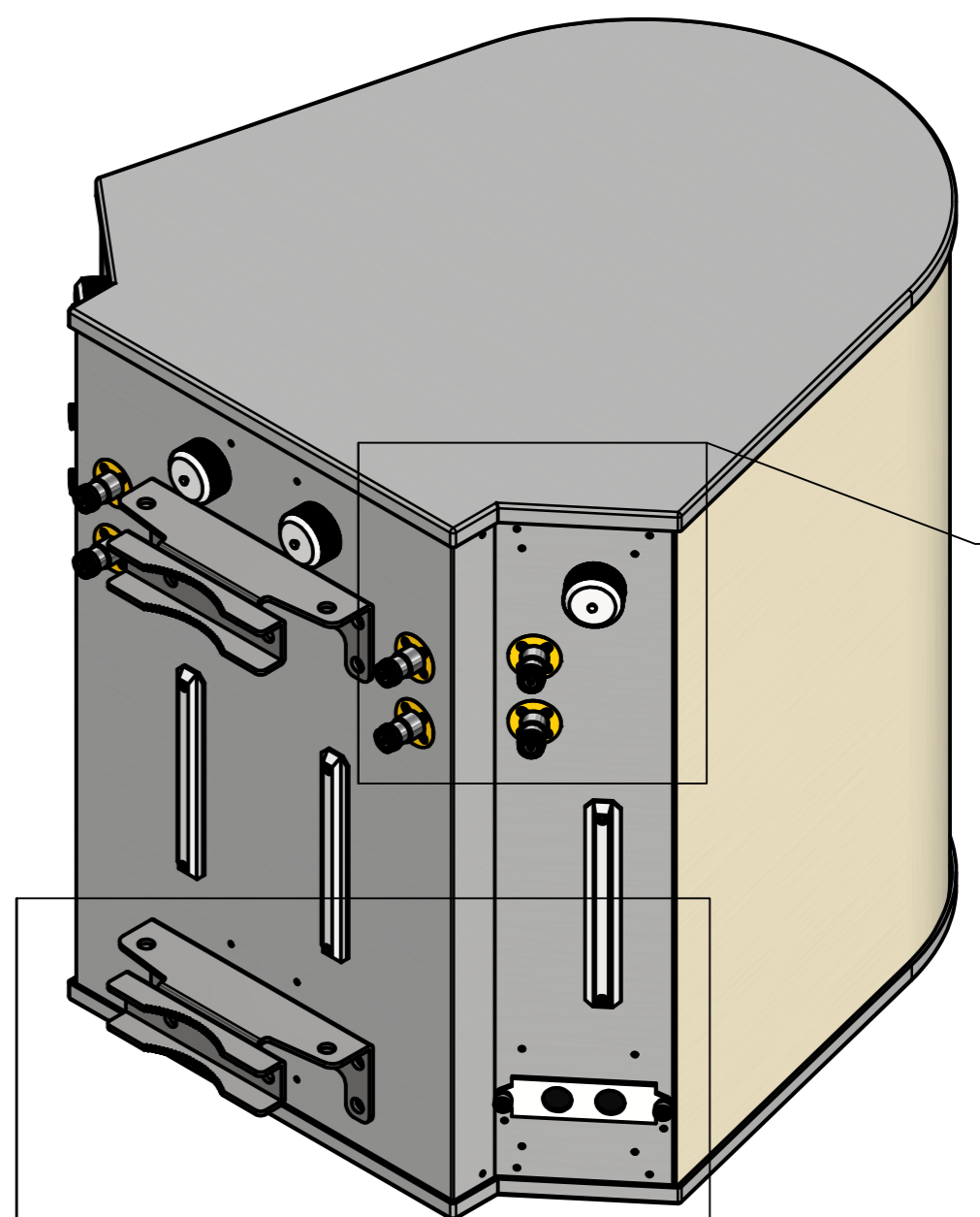


Designed by	Drawing by	Date	Approved by	Date	Quantity	Material
PAVEL	LAWRENCE	16/6/2023	PAVEL	26/7/2023		
MATSING LENS TECHNOLOGY ENABLED						MS-MBA-4-H2
						MS-MBA-4-H2 (mm)
						Revision 1.0
						Sheet 1 / 3

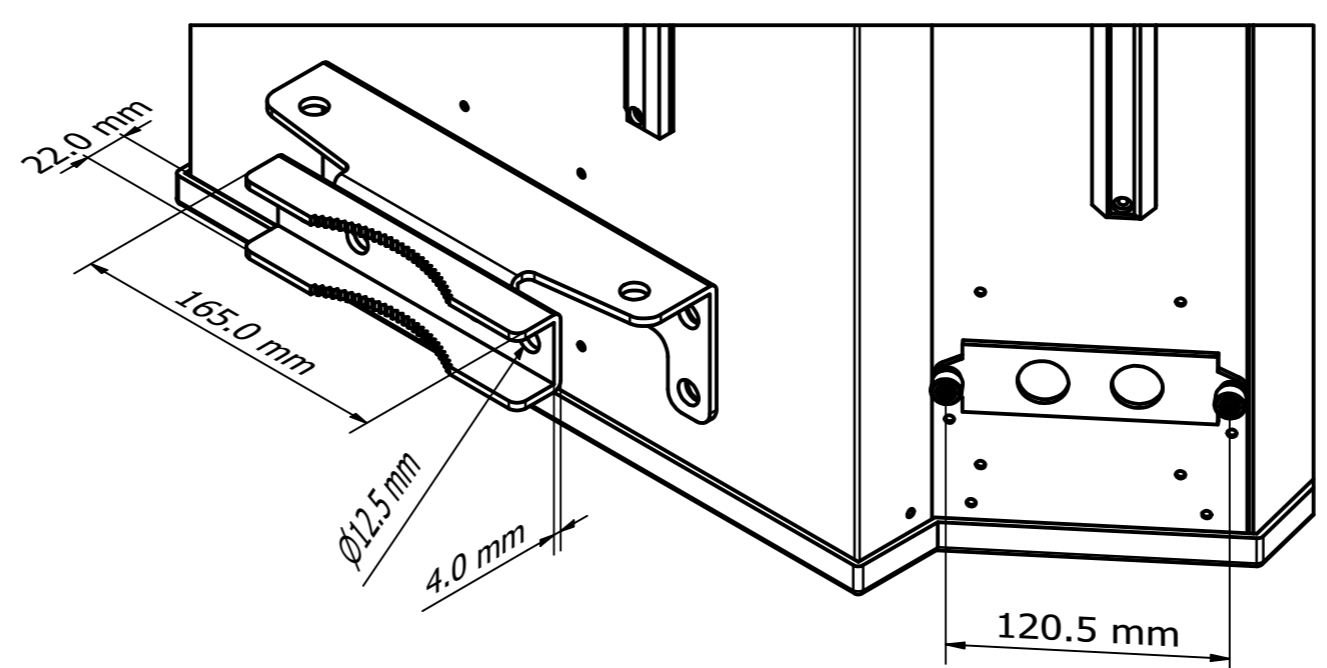


Detail A



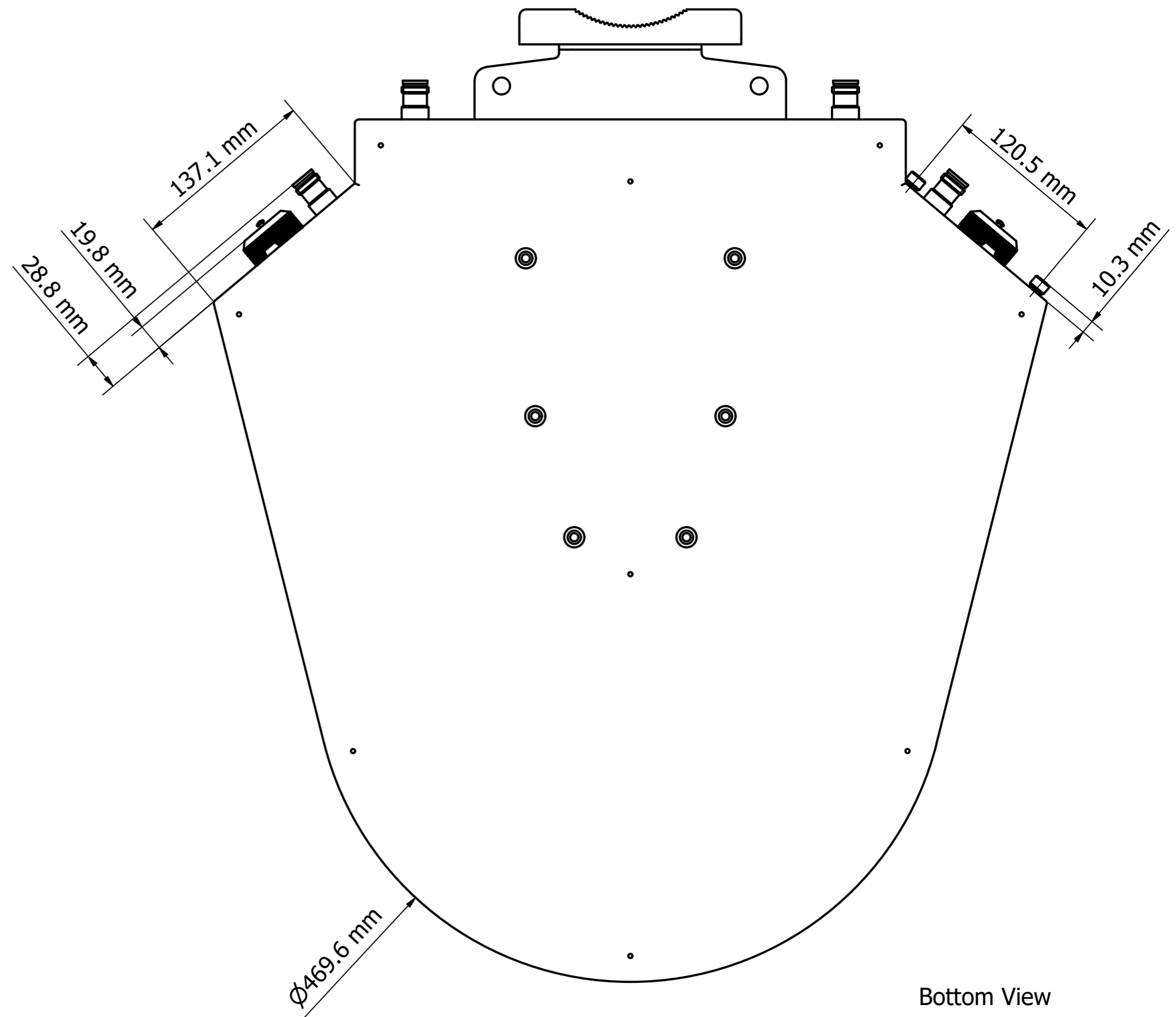
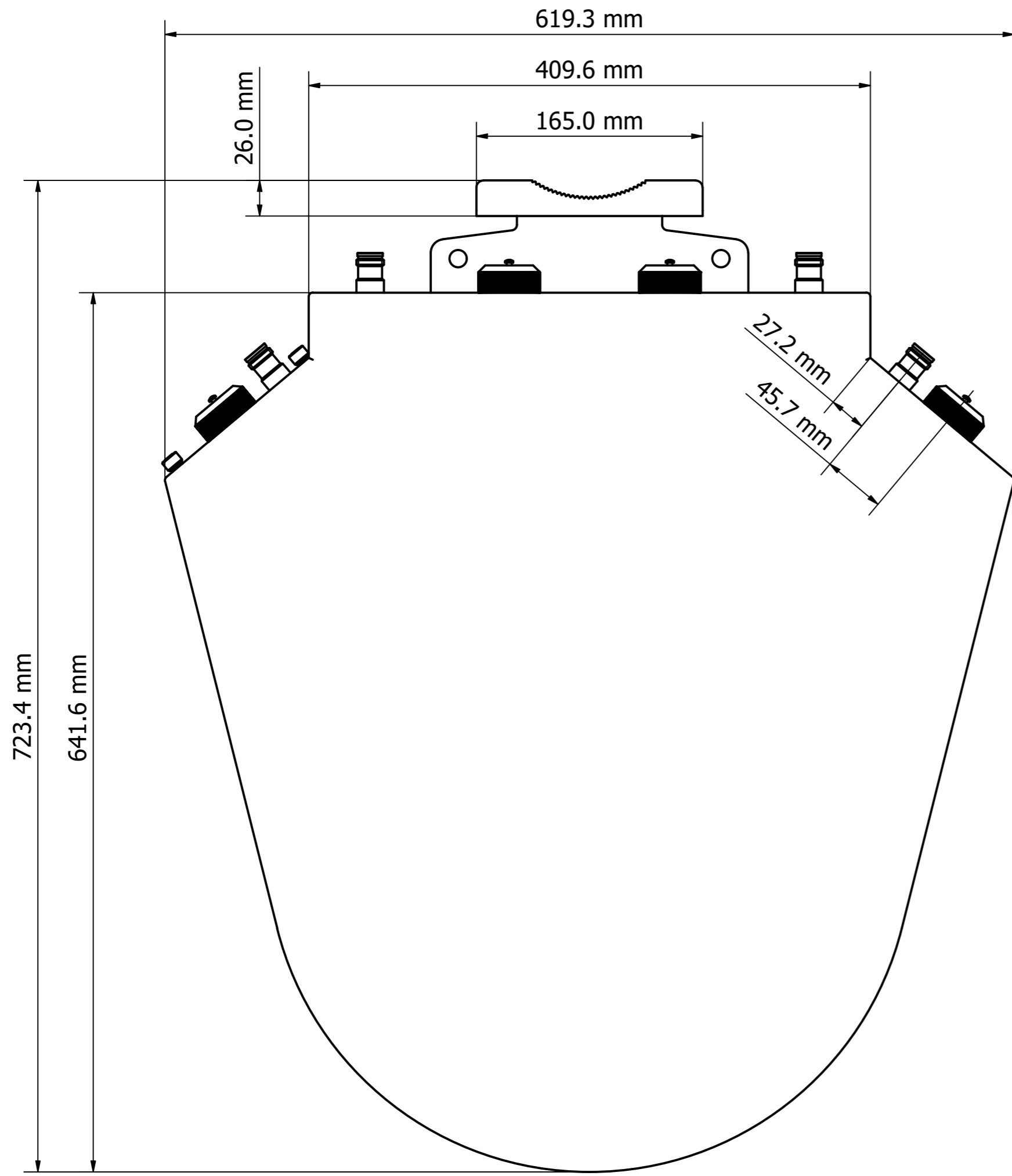
Detail A

Detail B



Detail B

Designed by PAVEL	Drawing by LAWRENCE	Date 16/6/2023	Approved by PAVEL	Date 26/7/2023	Quantity	Material
MATSING LENS TECHNOLOGY ENABLED						MS-MBA-4-H2
MS-MBA-4-H2 (mm)					Revision 1.0	Sheet 2 / 3



Designed by PAVEL	Drawing by LAWRENCE	Date 16/6/2023	Approved by PAVEL	Date 26/7/2023	Quantity	Material
MATSING LENS TECHNOLOGY ENABLED						MS-MBA-4-H2
MS-MBA-4-H2 (mm)					Revision 1.0	Sheet 3 / 3