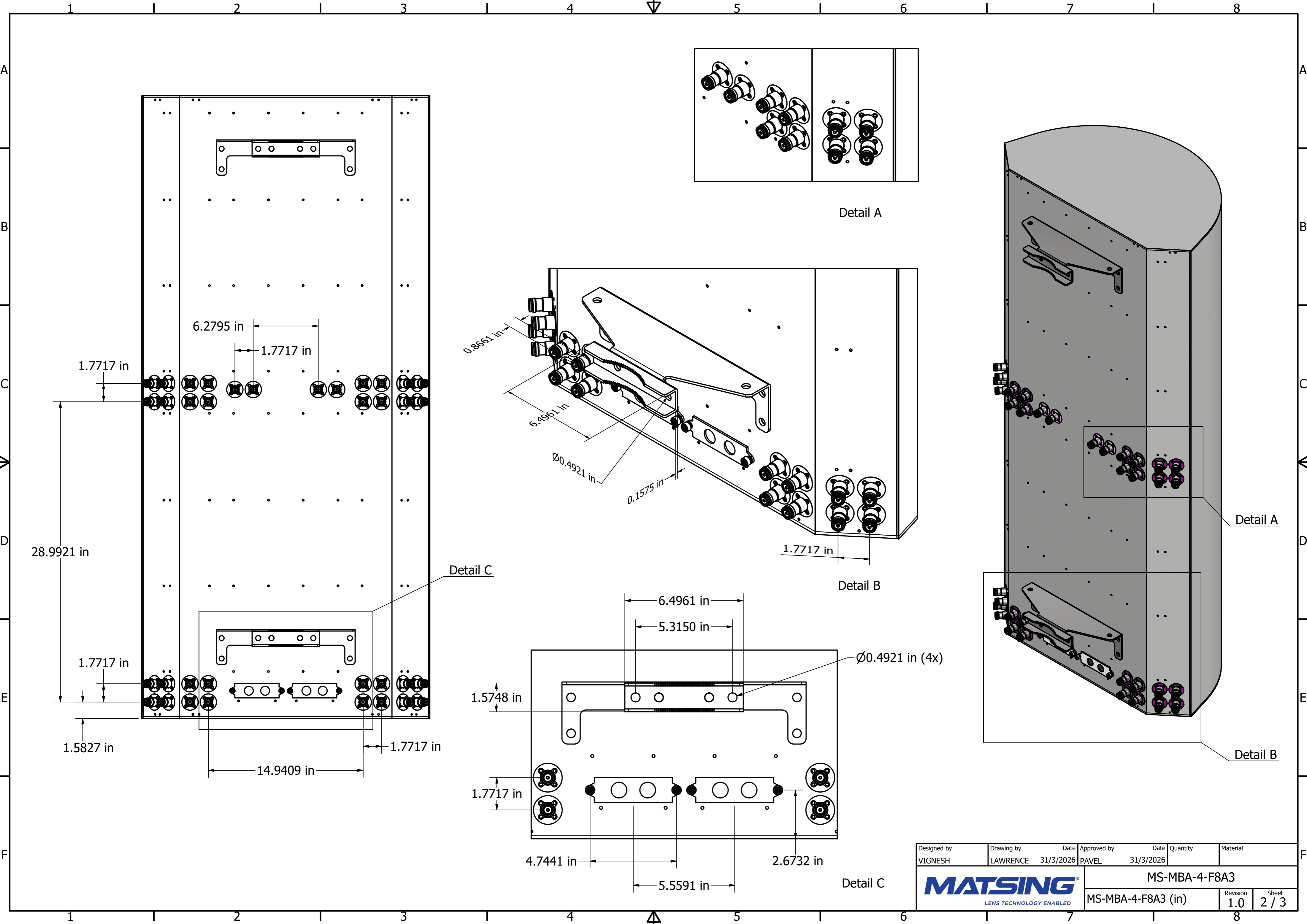


Designed by VIGNESH	Drawing by LAWRENCE	Date 31/3/2026	Approved by PAVEL	Date 31/3/2026	Quantity	Material
MATSING LENS TECHNOLOGY ENABLED						MS-MBA-4-F8A3
MS-MBA-4-F8A3 (in)					Revision 1.0	Sheet 1 / 3



1.7717 in

6.2795 in

1.7717 in

28.9921 in

1.7717 in

1.5827 in

14.9409 in

1.7717 in

Detail C

0.8661 in

6.4961 in

Ø0.4921 in

0.1575 in

1.7717 in

Detail B

6.4961 in

5.3150 in

1.5748 in

1.7717 in

Ø0.4921 in (4x)

4.7441 in

2.6732 in

5.5591 in

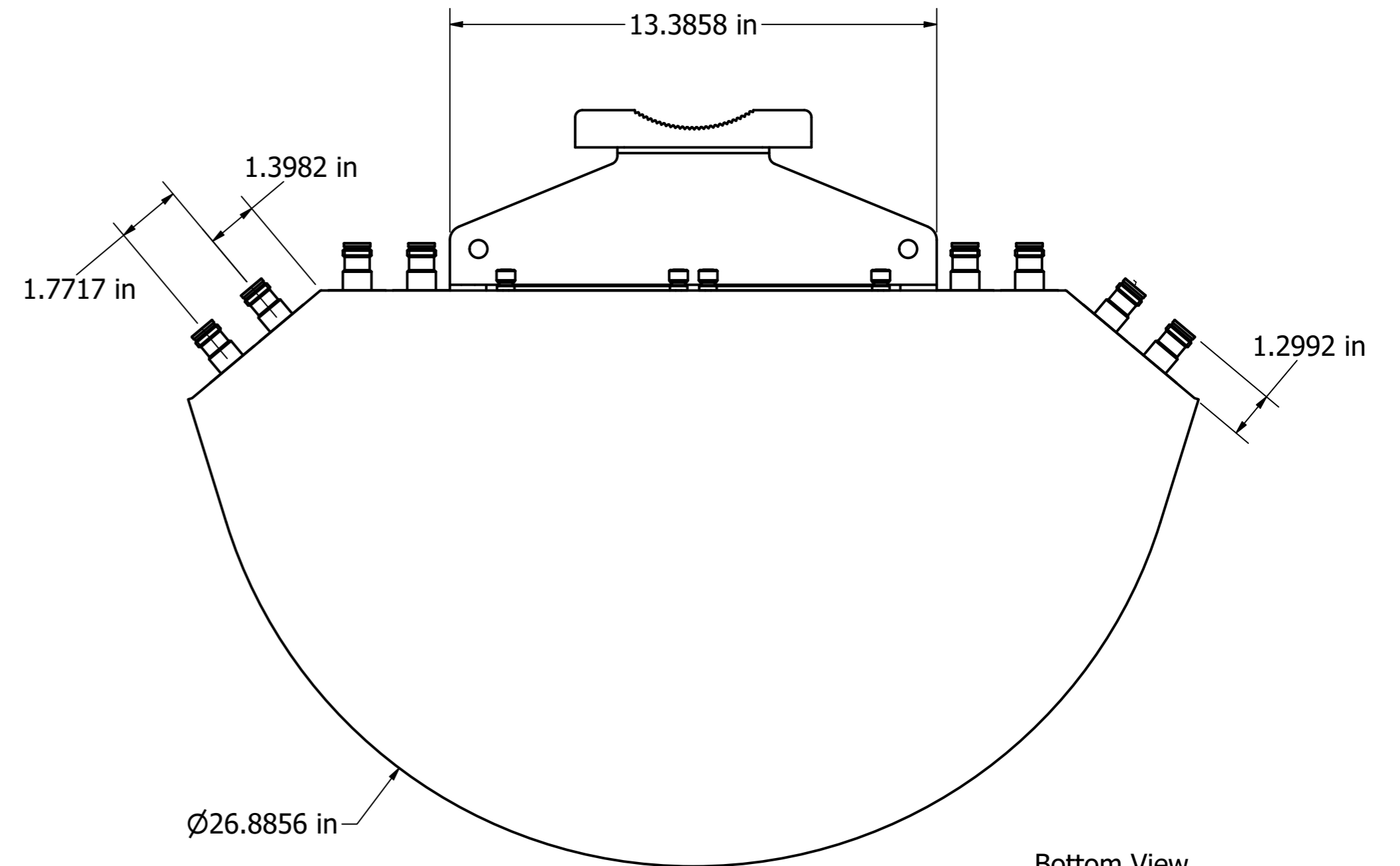
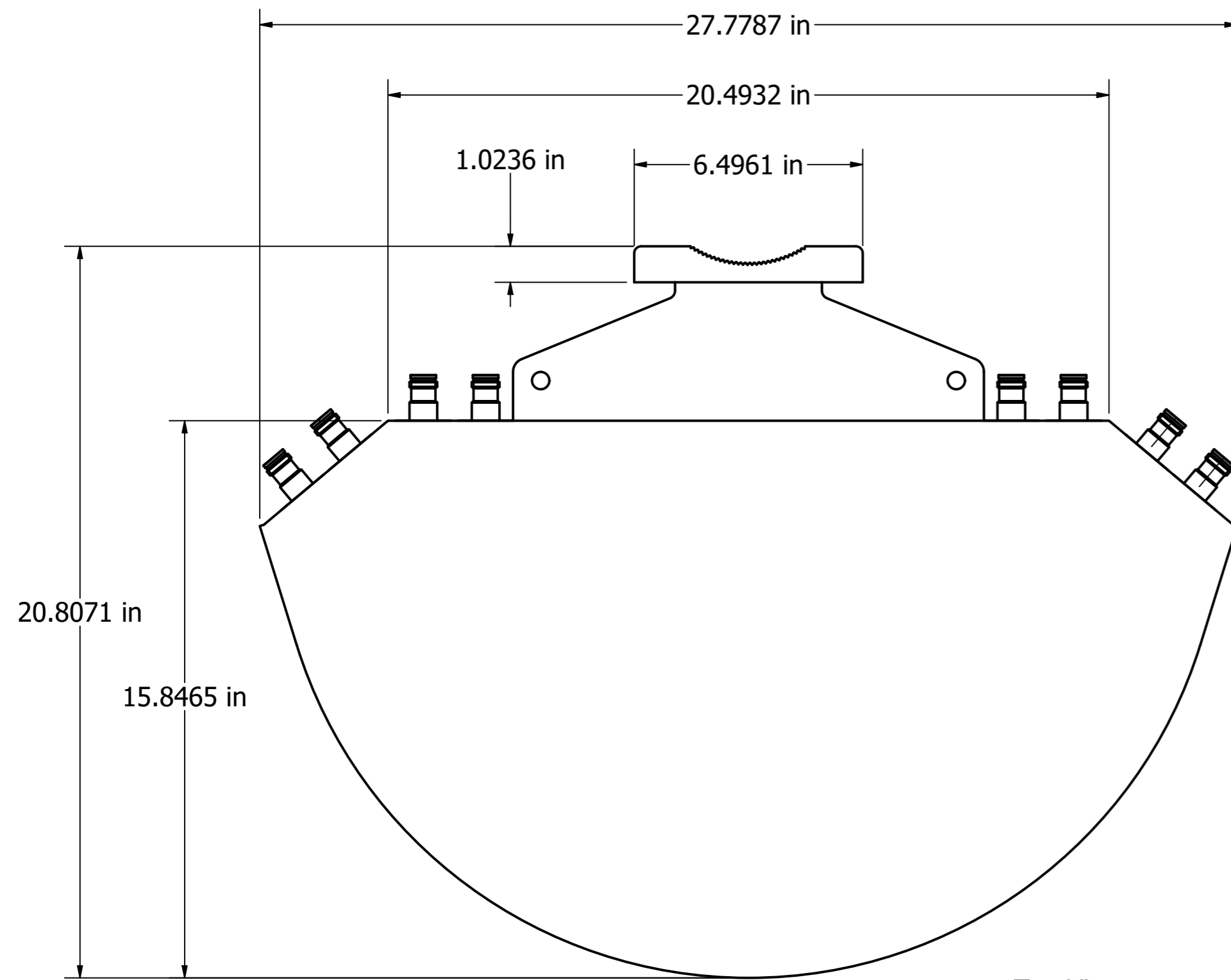
Detail C

Detail A

Detail A

Detail B

Designed by VIGNESH	Drawing by LAWRENCE	Date 31/3/2026	Approved by PAVEL	Date 31/3/2026	Quantity	Material	
MATSING LENS TECHNOLOGY ENABLED						MS-MBA-4-F8A3	
MS-MBA-4-F8A3 (in)						Revision 1.0	Sheet 2 / 3



Designed by VIGNESH	Drawing by LAWRENCE	Date 31/3/2026	Approved by PAVEL	Date 31/3/2026	Quantity	Material
MATSING LENS TECHNOLOGY ENABLED						MS-MBA-4-F8A3
MS-MBA-4-F8A3 (in)					Revision 1.0	Sheet 3 / 3