

Wind Load

Antenna MS-MBA-3.3.2-F2-H2-L2

Antenna Model Number

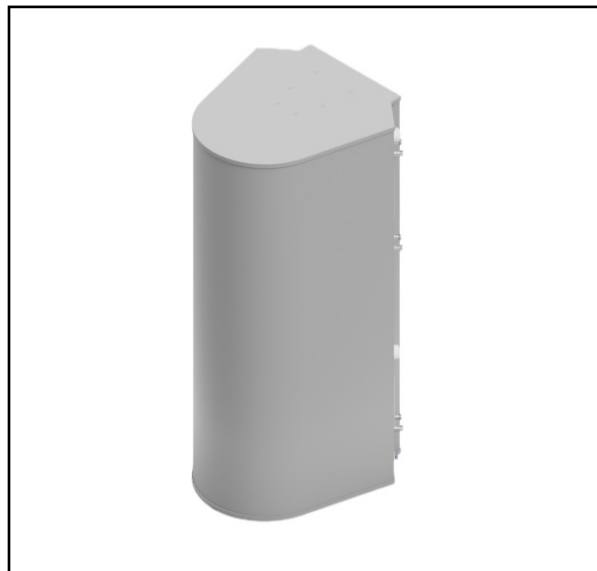
MS-MBA-3.3.2-F2-H2-L2

Velocity [km/h]

150

Dimensions: [mm]

1600



Results

	Frontal	Lateral	Rear
Profile Drag Coefficient	1.1	1.65	1.58
Antenna Correction Coefficient	0.6	0.6	0.6
Antenna Drag Coefficient	0.66	0.99	0.95
Wind Load [N/lbf]	695 / 156.2	1081 / 243	998 / 224.4