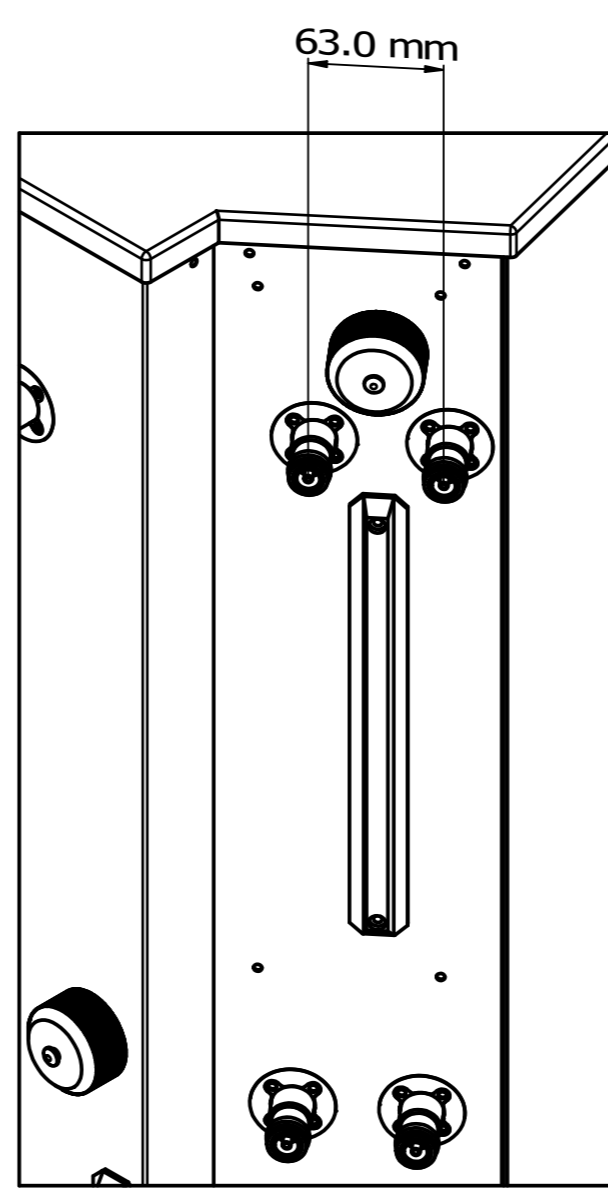
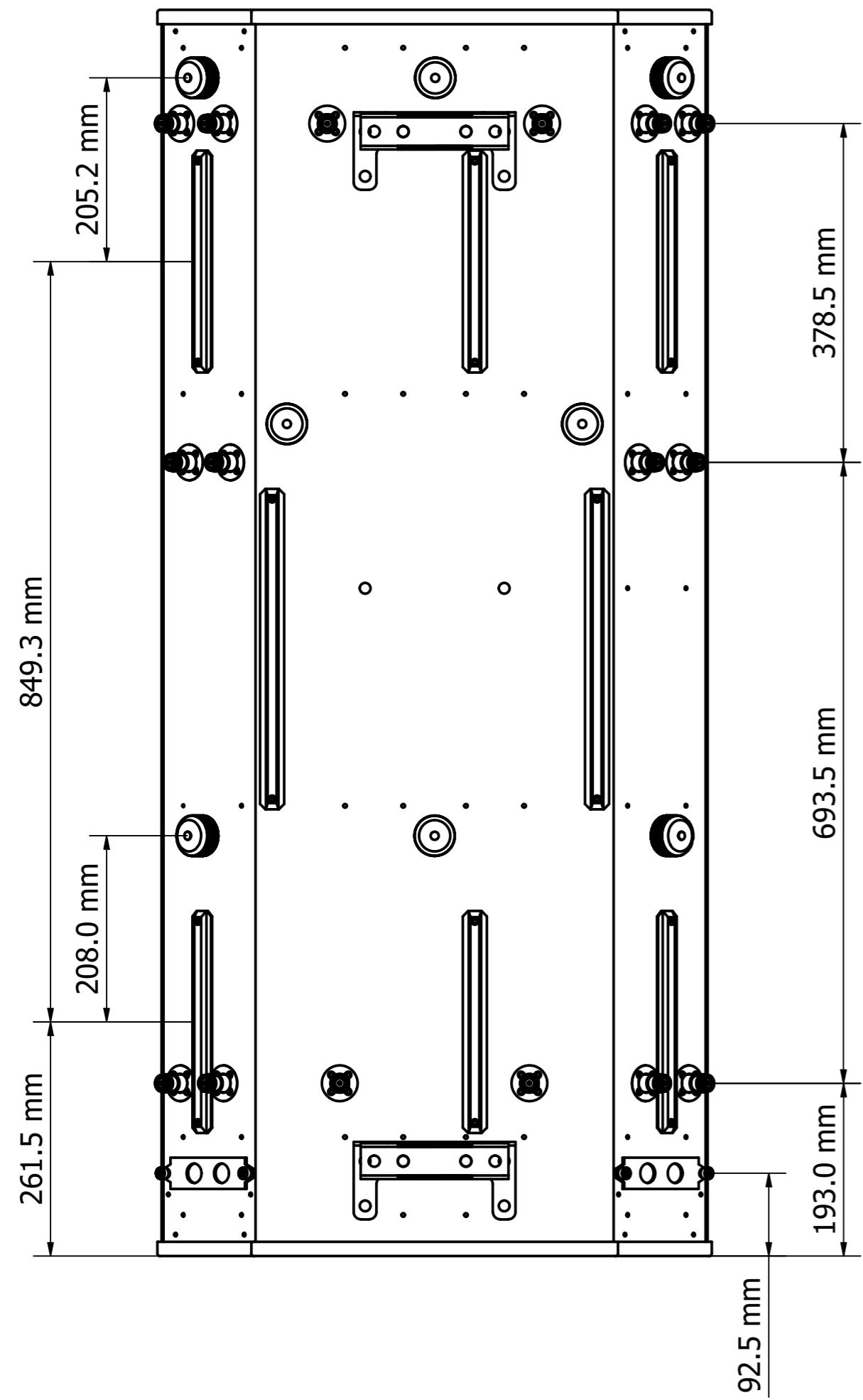
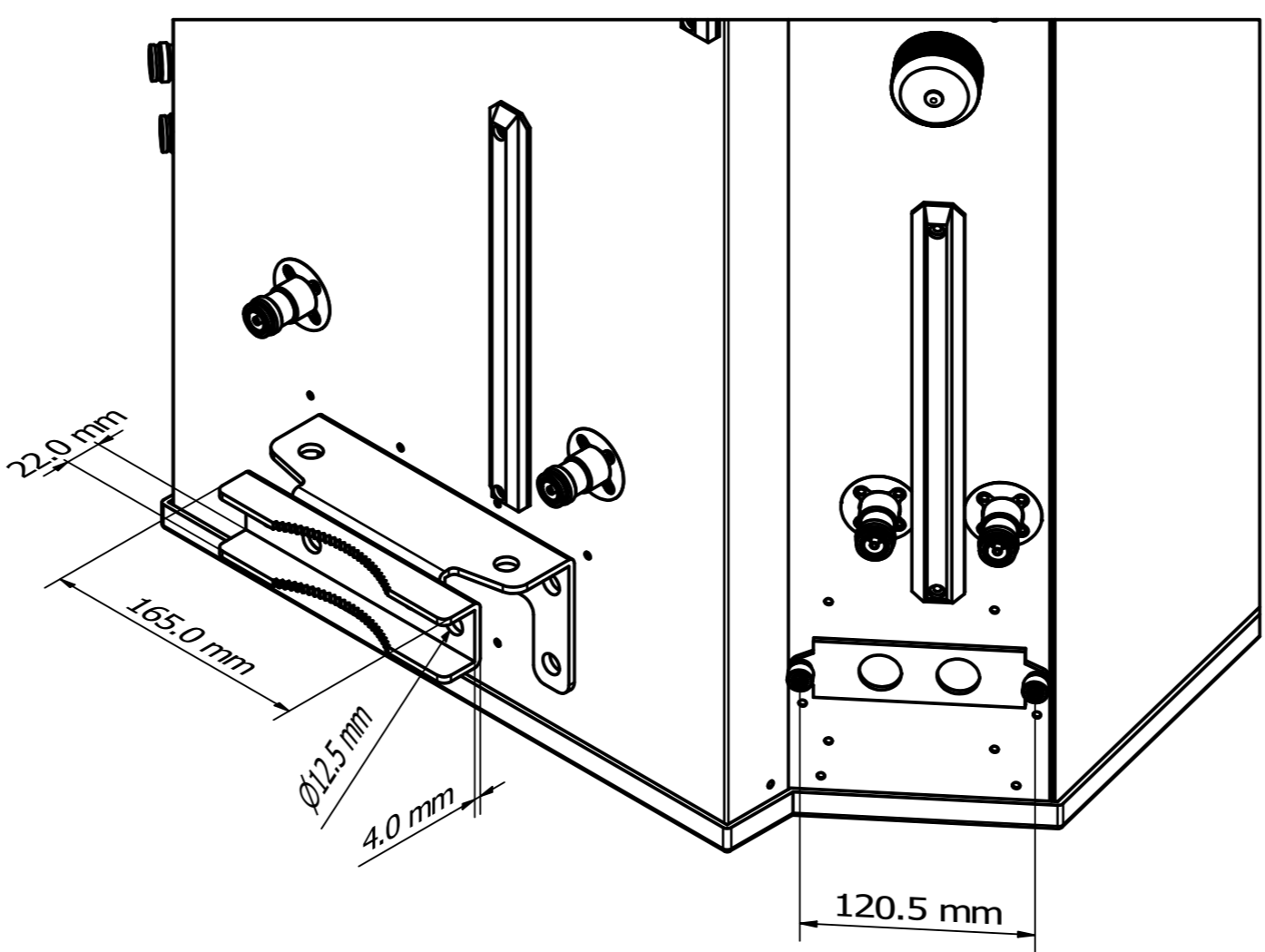


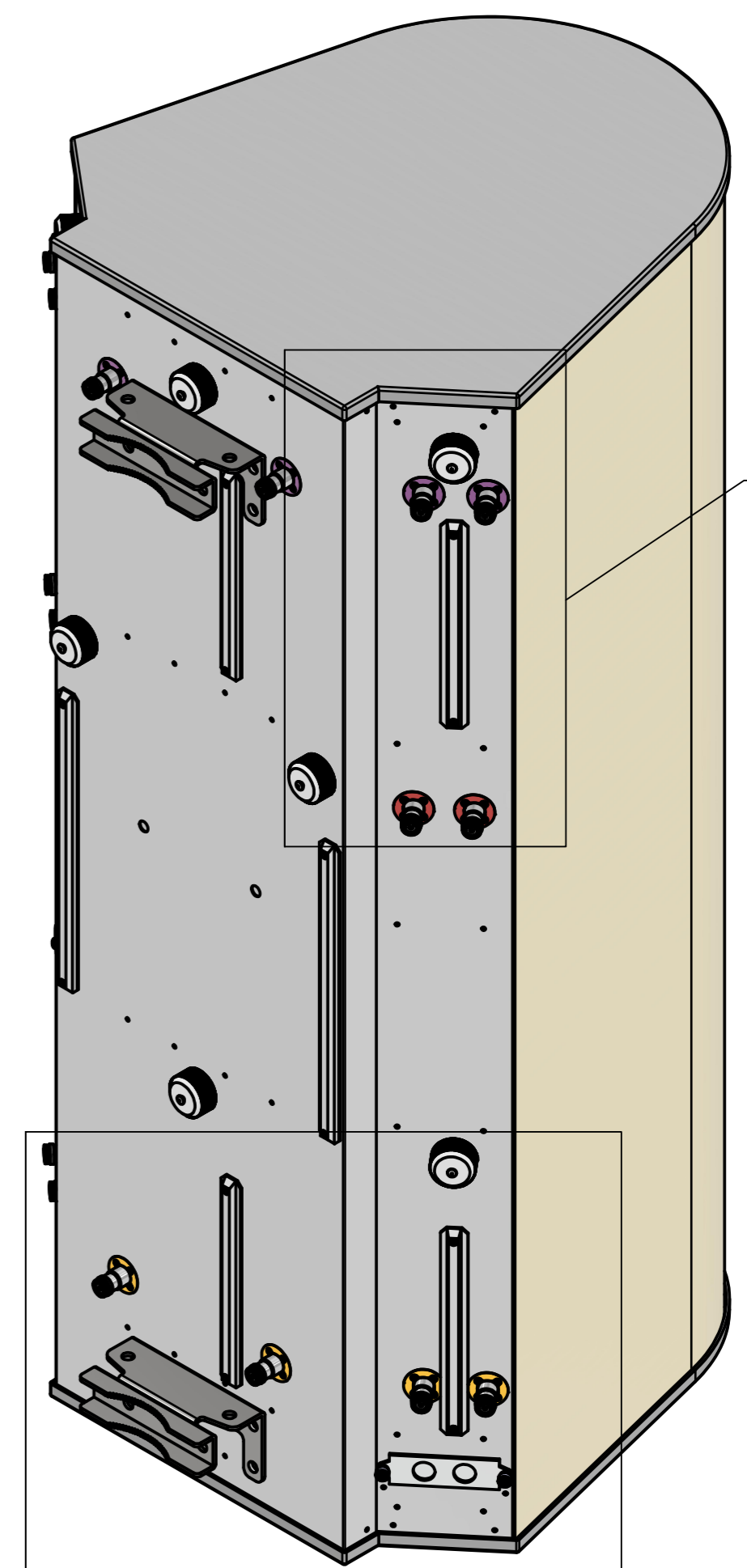
Designed by	Drawing by	Date	Approved by	Date	Quantity	Material	
VIGNESH	LAWRENCE	15/3/2022	PAVEL	18/3/2022			
MATSING LENS TECHNOLOGY ENABLED							
MS-MBA-3.3.2-F2-H2-L2						Revision	Sheet
MS-MBA-3.3.2-F2-H2-L2 (mm)						1.0	1 / 3



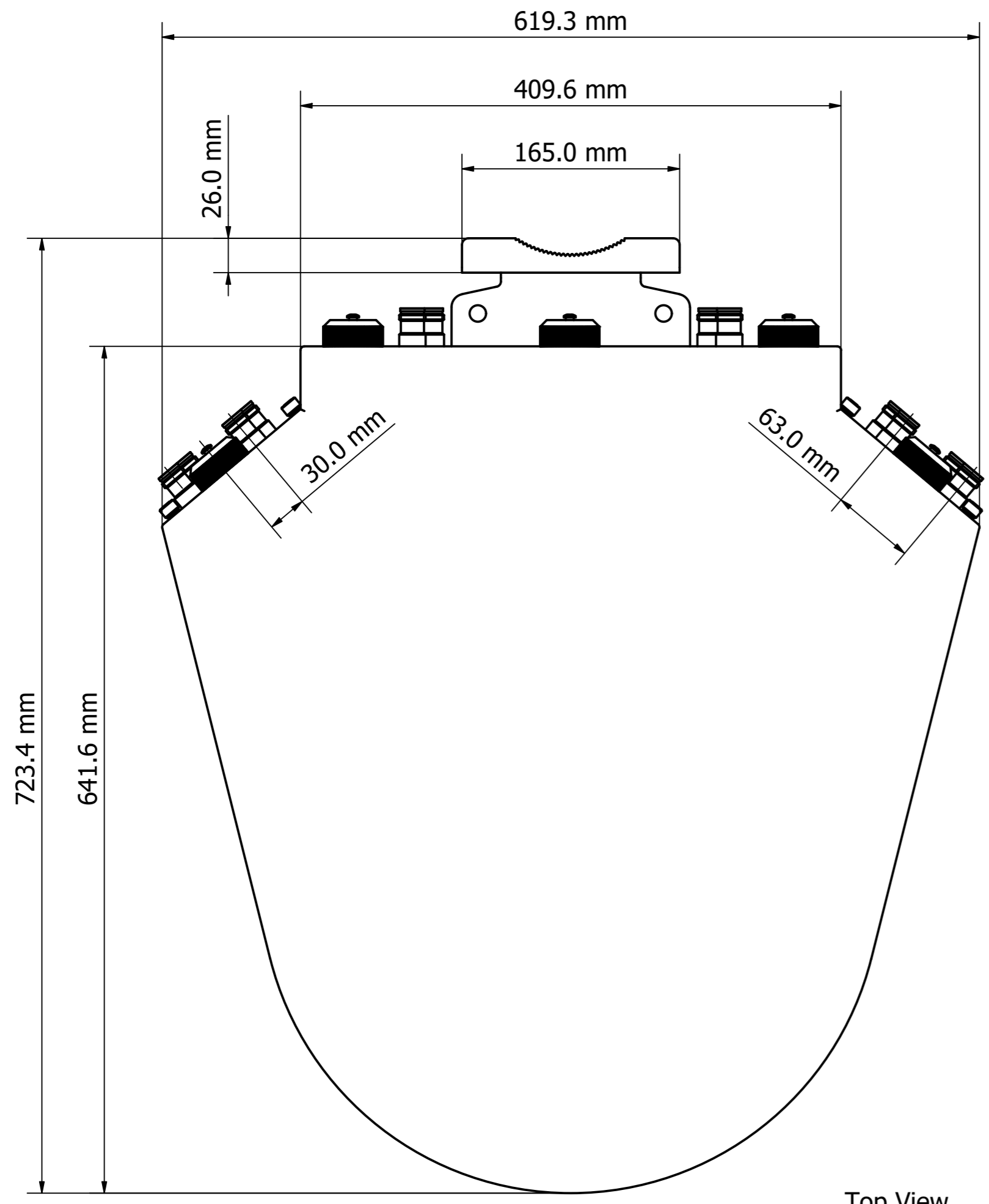
Detail C



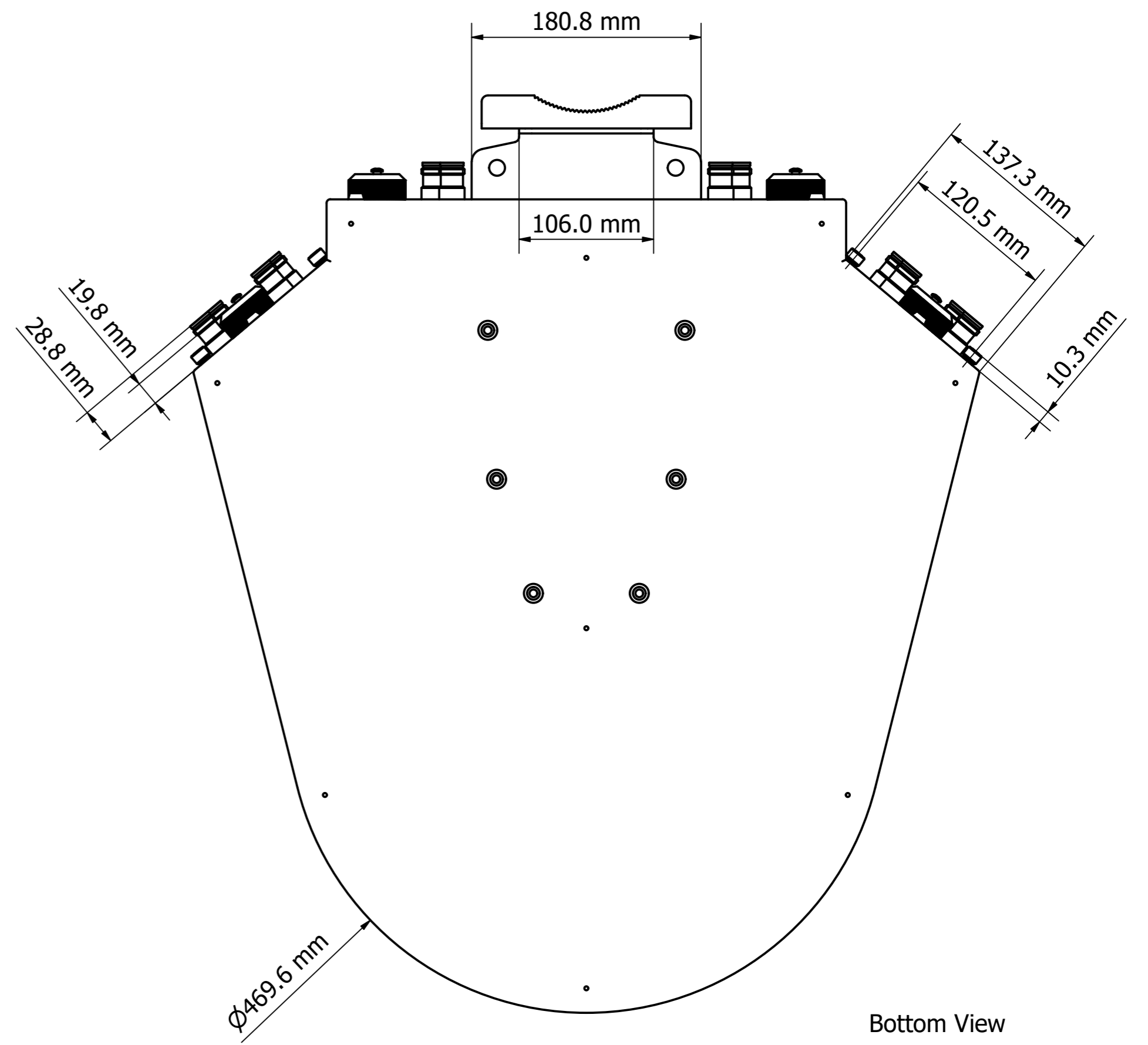
Detail B



Designed by VIGNESH	Drawing by LAWRENCE	Date 15/3/2022	Approved by PAVEL	Date 18/3/2022	Quantity	Material
MATSING LENS TECHNOLOGY ENABLED						MS-MBA-3.3.2-F2-H2-L2
MS-MBA-3.3.2-F2-H2-L2 (mm)					Revision 1.0	Sheet 2 / 3



Top View



Bottom View

Designed by VIGNESH	Drawing by LAWRENCE	Date 15/3/2022	Approved by PAVEL	Date 18/3/2022	Quantity	Material
MATSING LENS TECHNOLOGY ENABLED						MS-MBA-3.3.2-F2-H2-L2
MS-MBA-3.3.2-F2-H2-L2 (mm)					Revision 1.0	Sheet 3 / 3