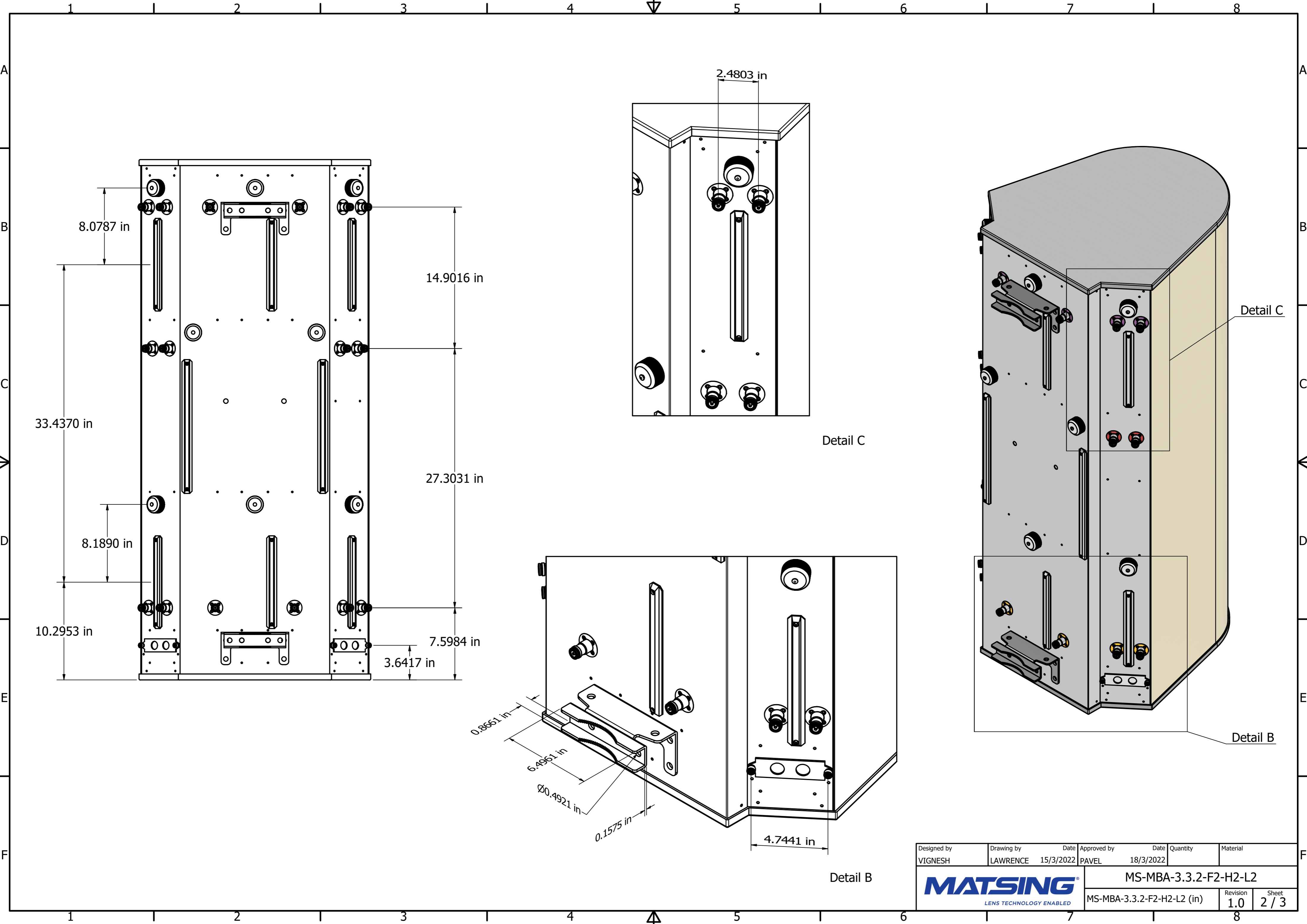
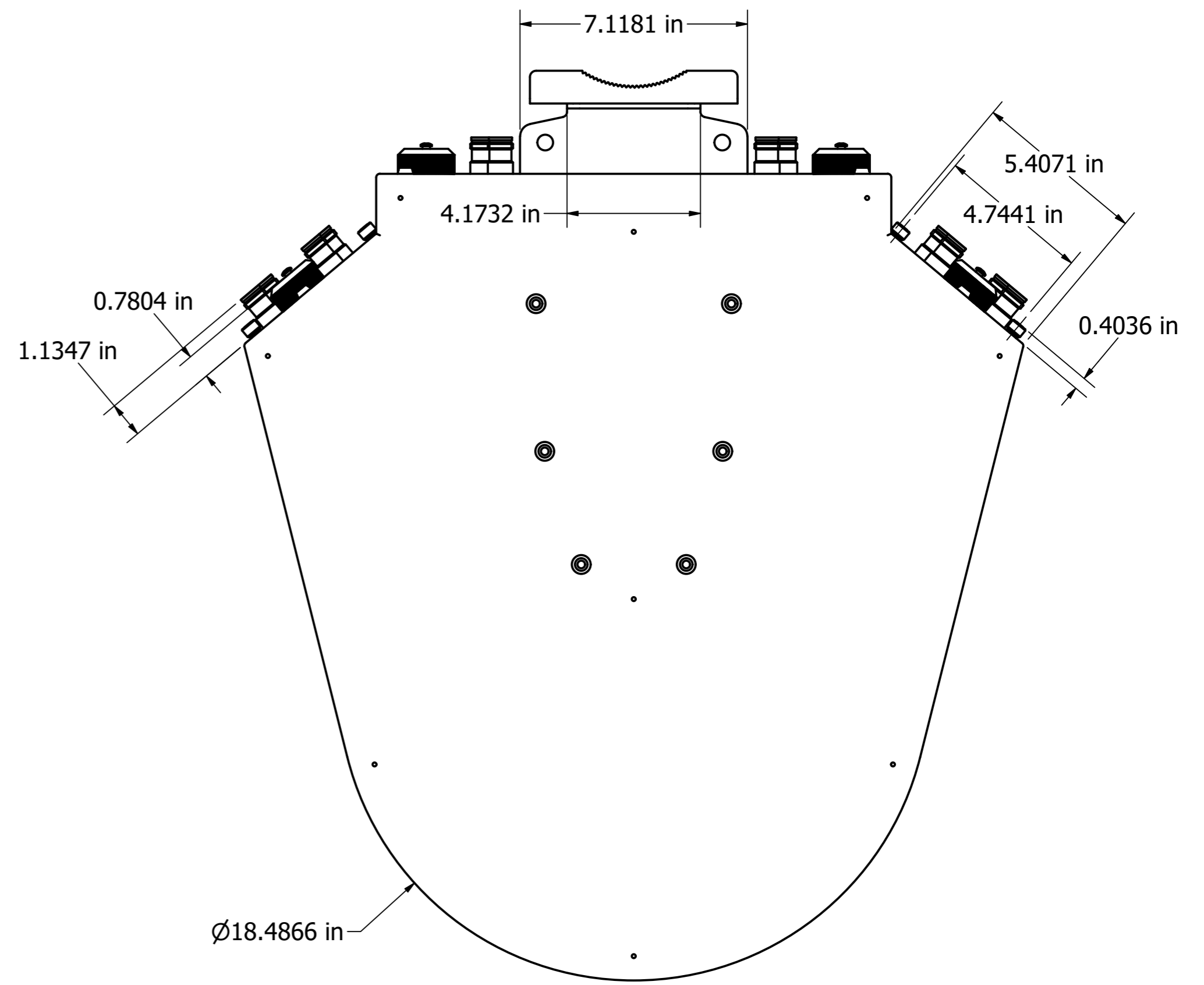
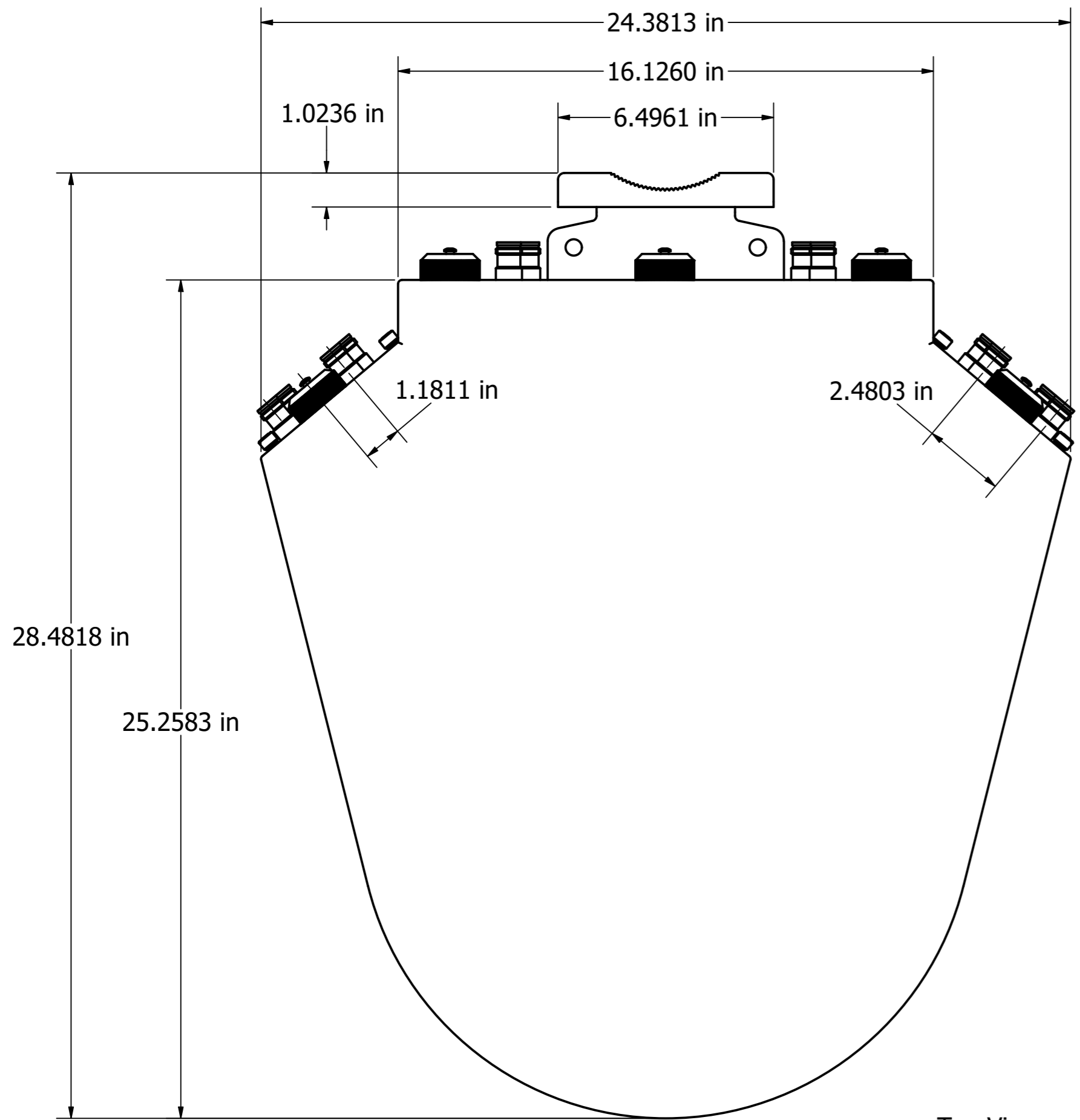


Designed by VIGNESH	Drawing by LAWRENCE	Date 15/3/2022	Approved by PAVEL	Date 18/3/2022	Quantity	Material
MATSING LENS TECHNOLOGY ENABLED						MS-MBA-3.3.2-F2-H2-L2
MS-MBA-3.3.2-F2-H2-L2 (in)					Revision 1.0	Sheet 1 / 3



Designed by VIGNESH	Drawing by LAWRENCE	Date 15/3/2022	Approved by PAVEL	Date 18/3/2022	Quantity	Material
MATSING LENS TECHNOLOGY ENABLED						MS-MBA-3.3.2-F2-H2-L2
MS-MBA-3.3.2-F2-H2-L2 (in)					Revision 1.0	Sheet 2 / 3



Designed by VIGNESH	Drawing by LAWRENCE	Date 15/3/2022	Approved by PAVEL	Date 18/3/2022	Quantity	Material
MATSING LENS TECHNOLOGY ENABLED						MS-MBA-3.3.2-F2-H2-L2
MS-MBA-3.3.2-F2-H2-L2 (in)					Revision 1.0	Sheet 3 / 3