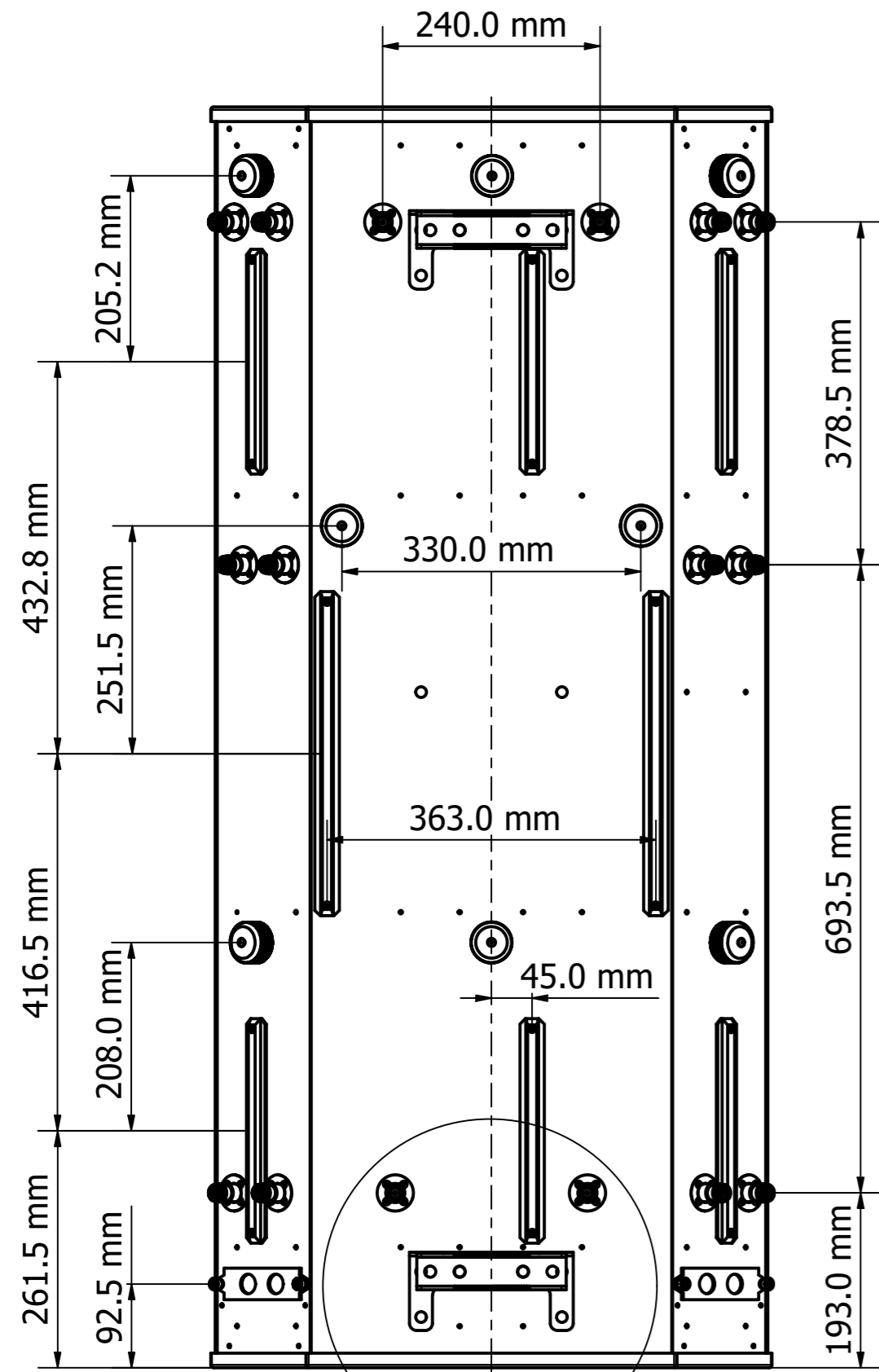
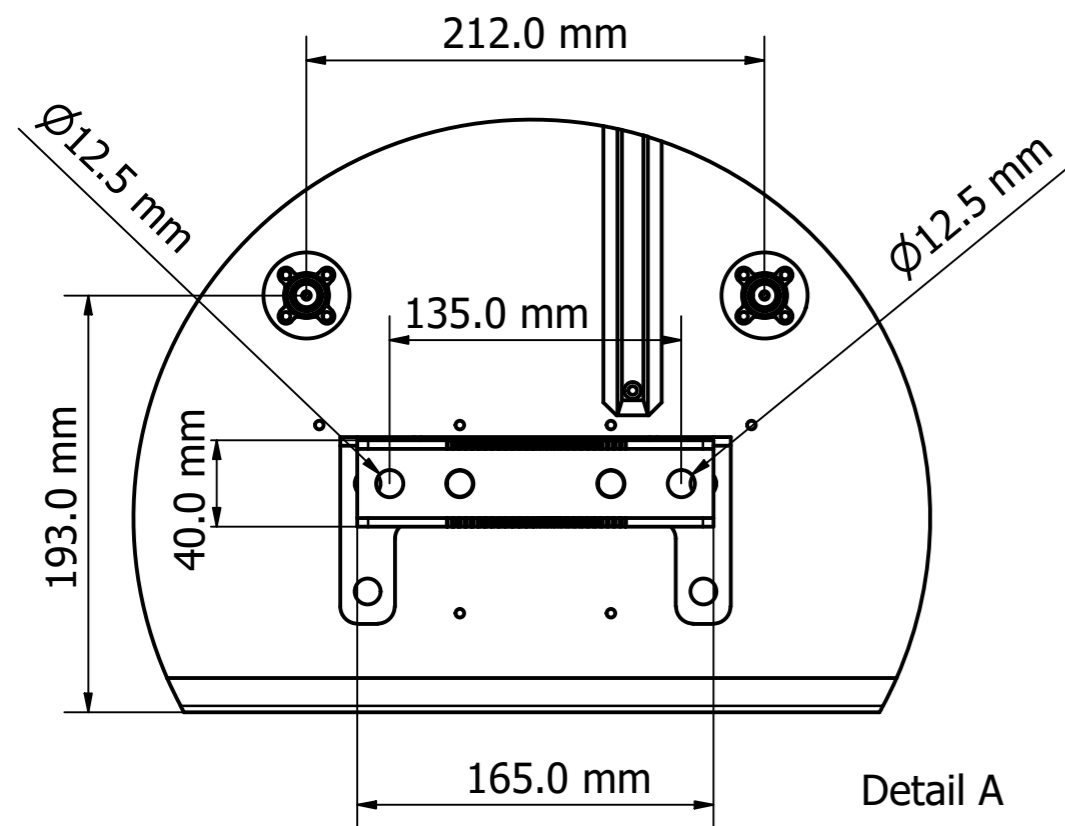


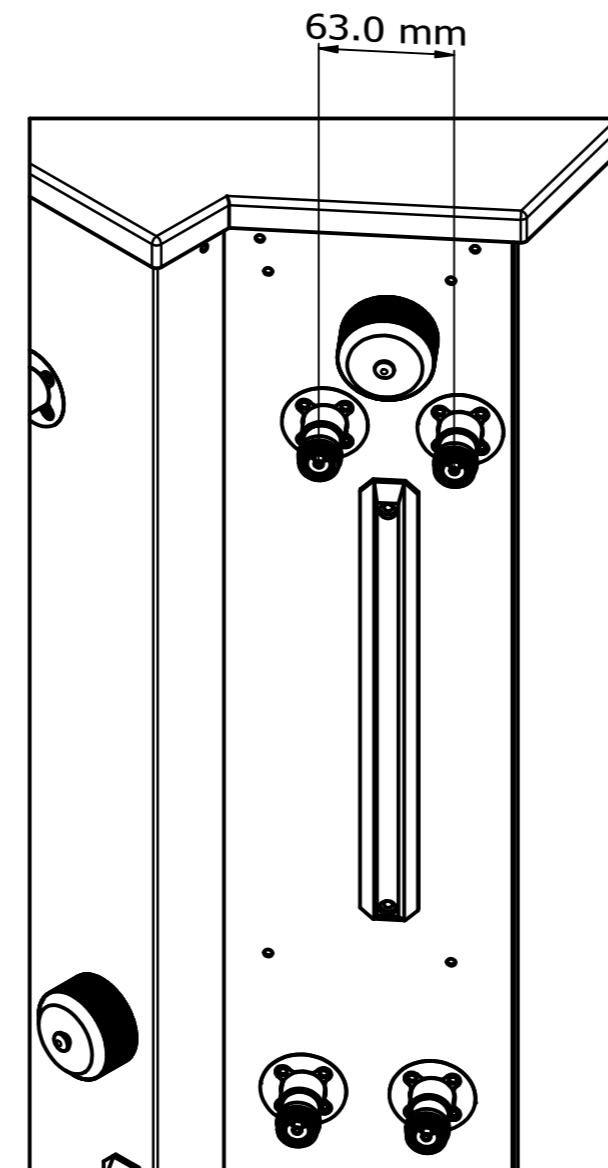
Designed by VIGNESH	Drawing by LAWRENCE	Date 5/2/2024	Approved by PAVEL	Date 26/2/2024	Quantity	Material	
MATSING LENS TECHNOLOGY ENABLED						MS-MBA-3.3.2-C2-H2-L2	
MS-MBA-3.3.2-C2-H2-L2 (mm)						Revision 1.0	Sheet 1 / 3



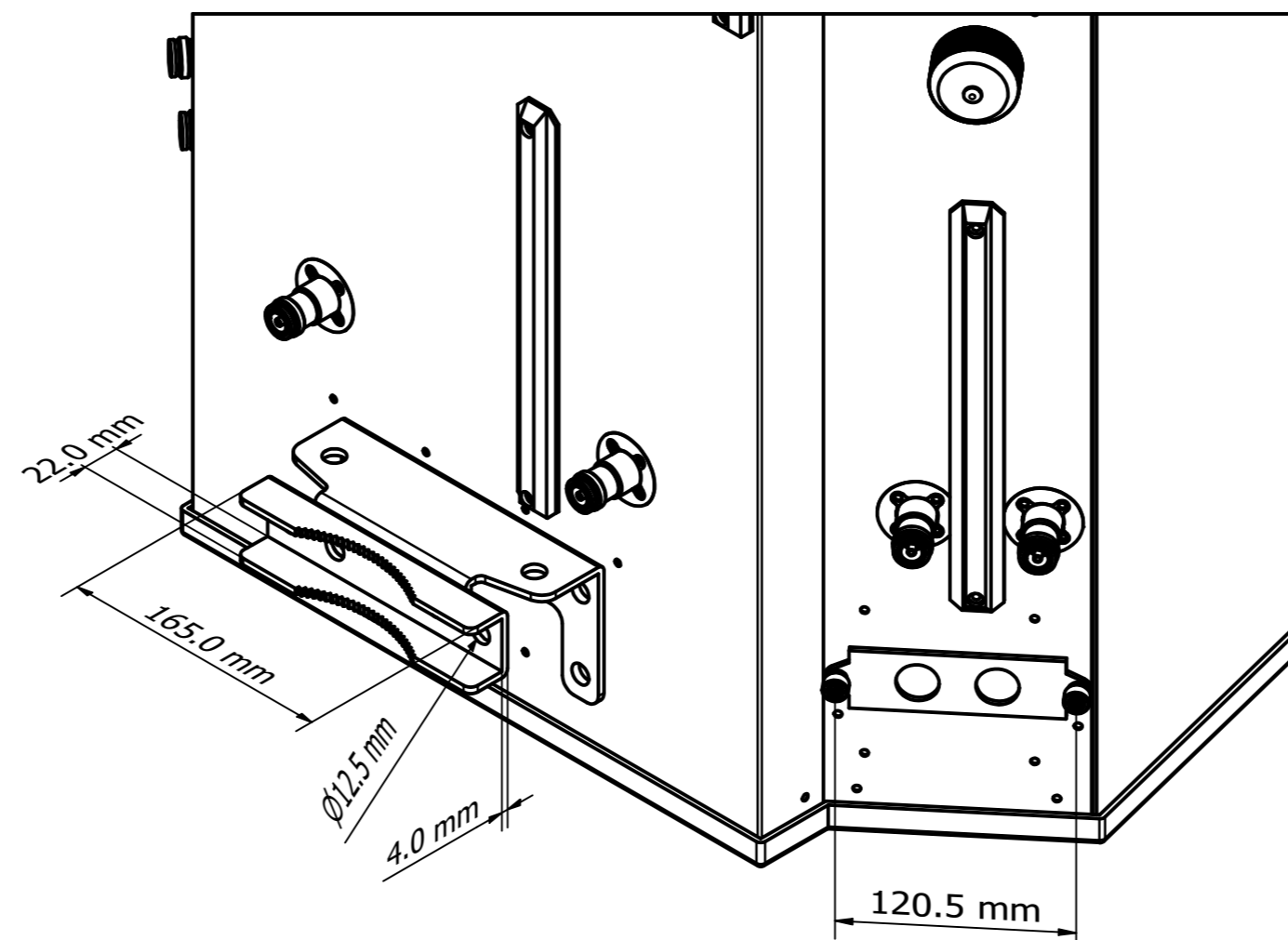
Detail A



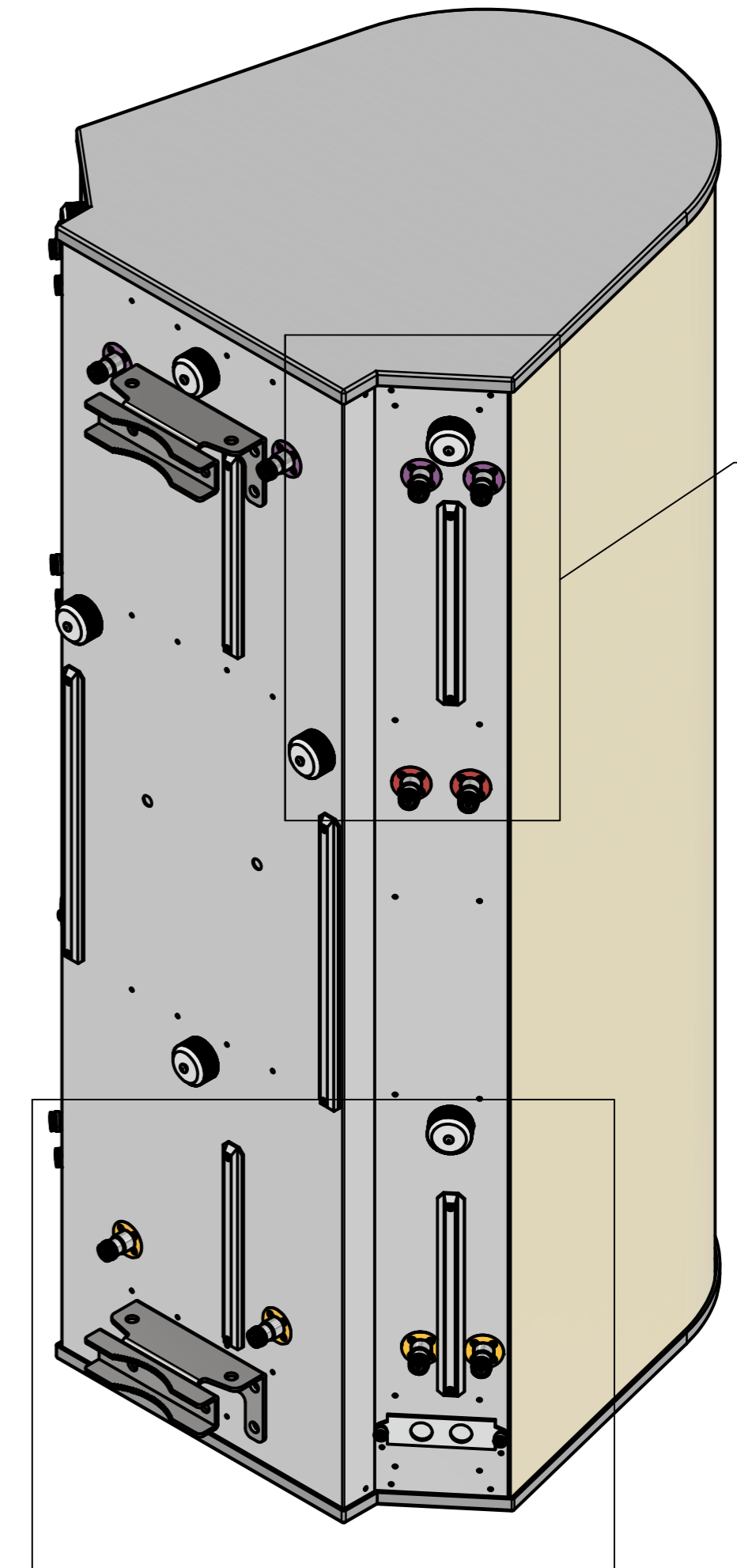
Detail A



Detail C



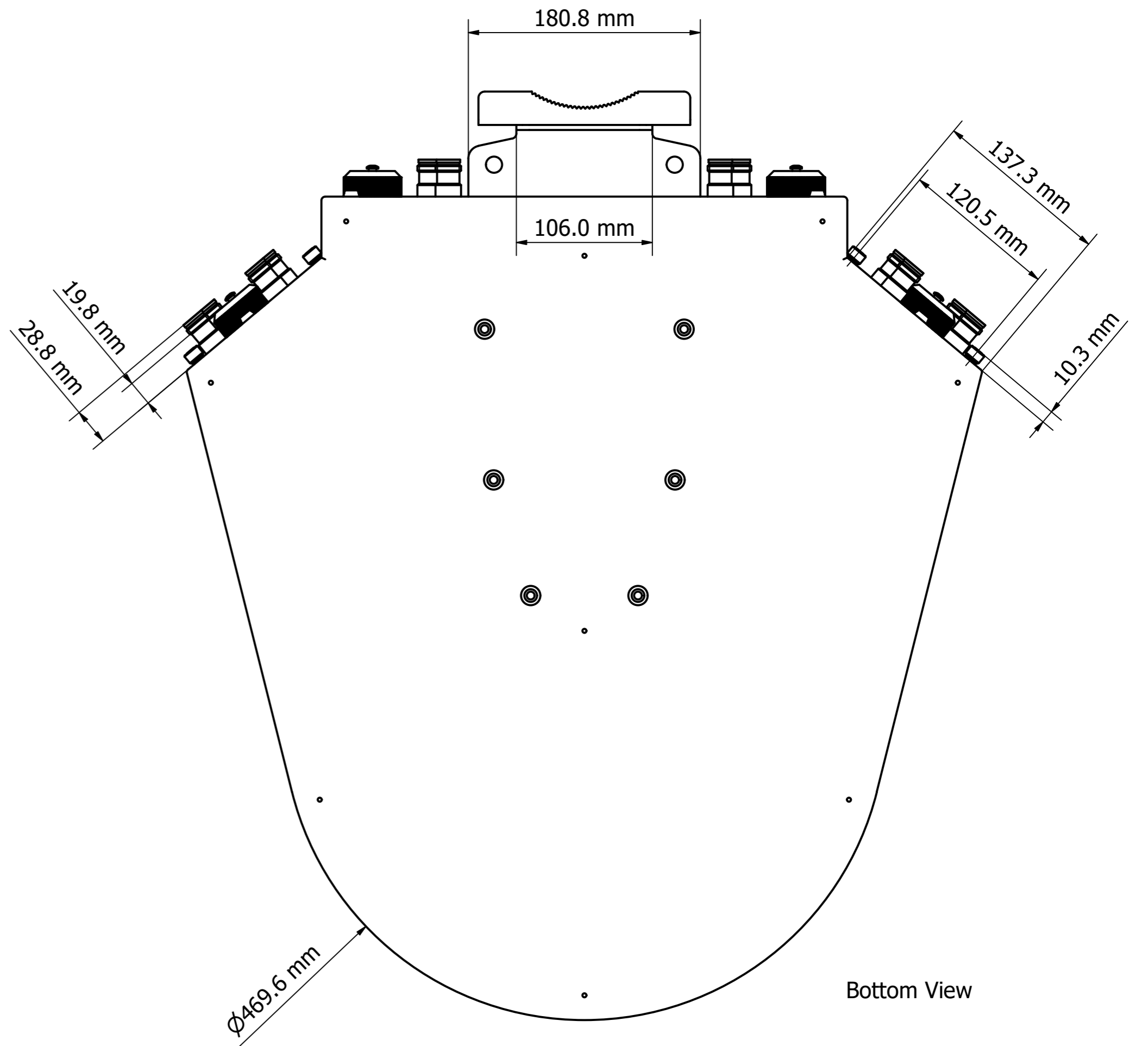
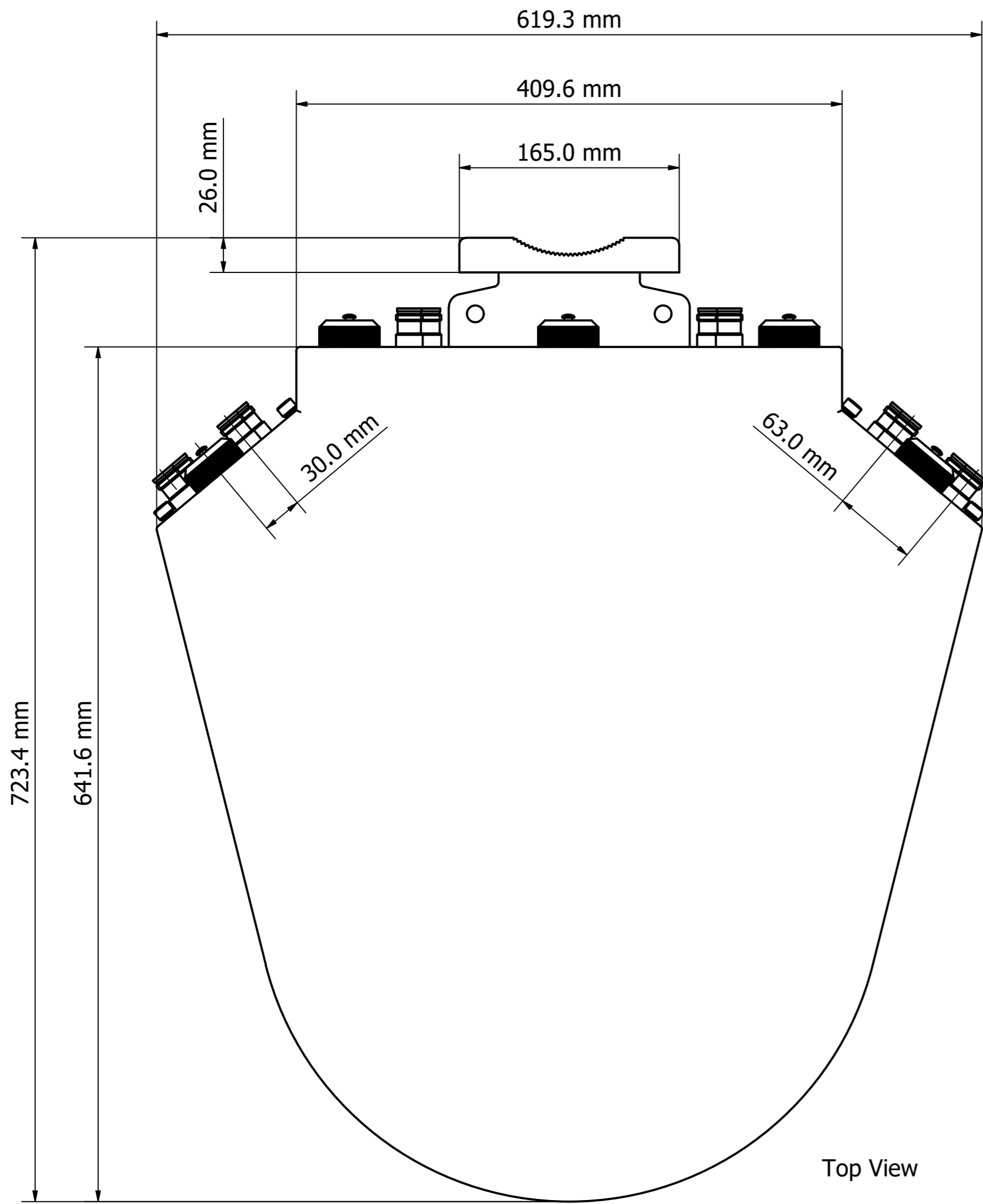
Detail B



Detail C

Detail B

Designed by VIGNESH	Drawing by LAWRENCE	Date 5/2/2024	Approved by PAVEL	Date 26/2/2024	Quantity	Material	
MATSING LENS TECHNOLOGY ENABLED						MS-MBA-3.3.2-C2-H2-L2	
MS-MBA-3.3.2-C2-H2-L2 (mm)						Revision 1.0	Sheet 2 / 3



Designed by VIGNESH	Drawing by LAWRENCE	Date 5/2/2024	Approved by PAVEL	Date 26/2/2024	Quantity	Material
						MS-MBA-3.3.2-C2-H2-L2
						MS-MBA-3.3.2-C2-H2-L2 (mm)