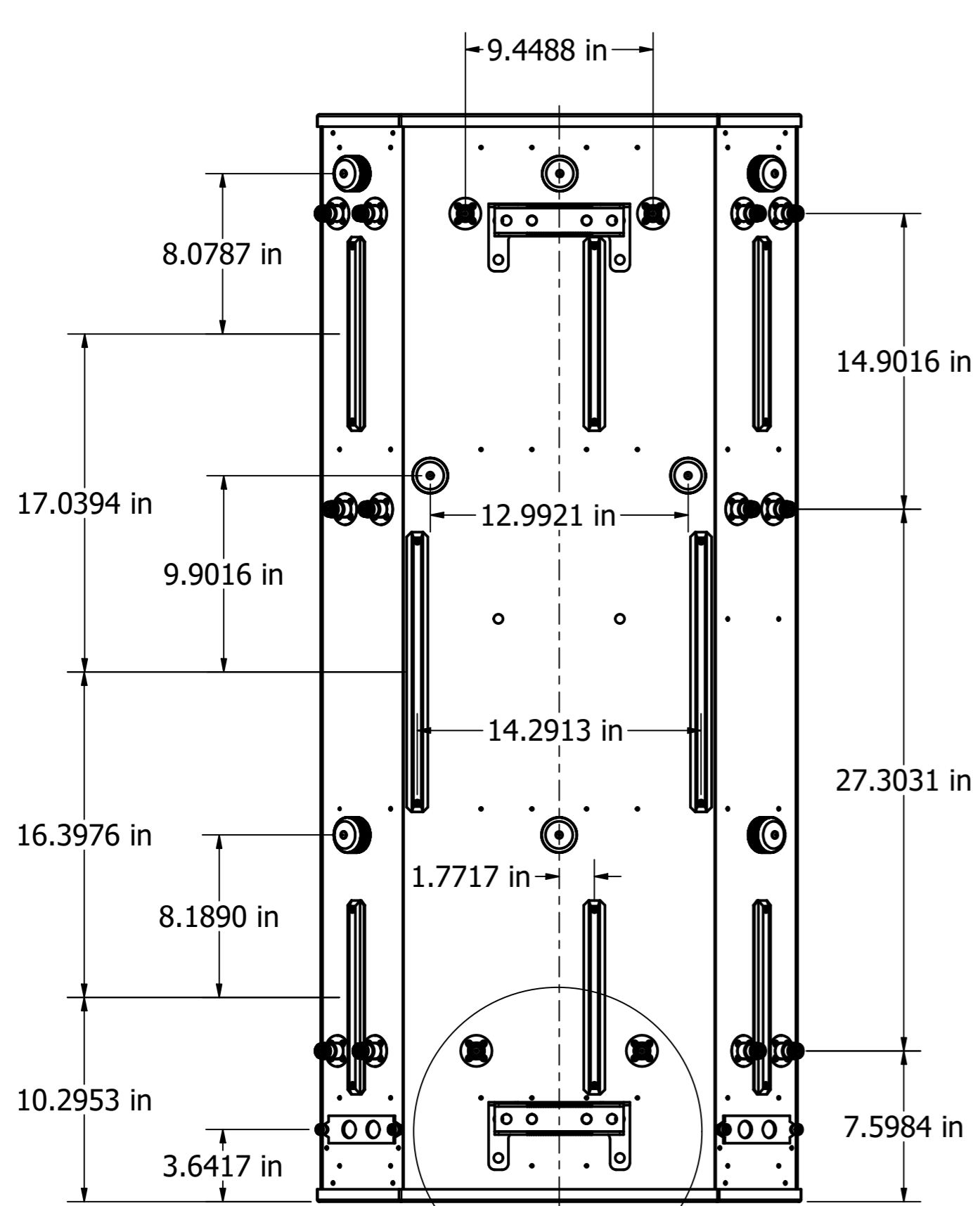
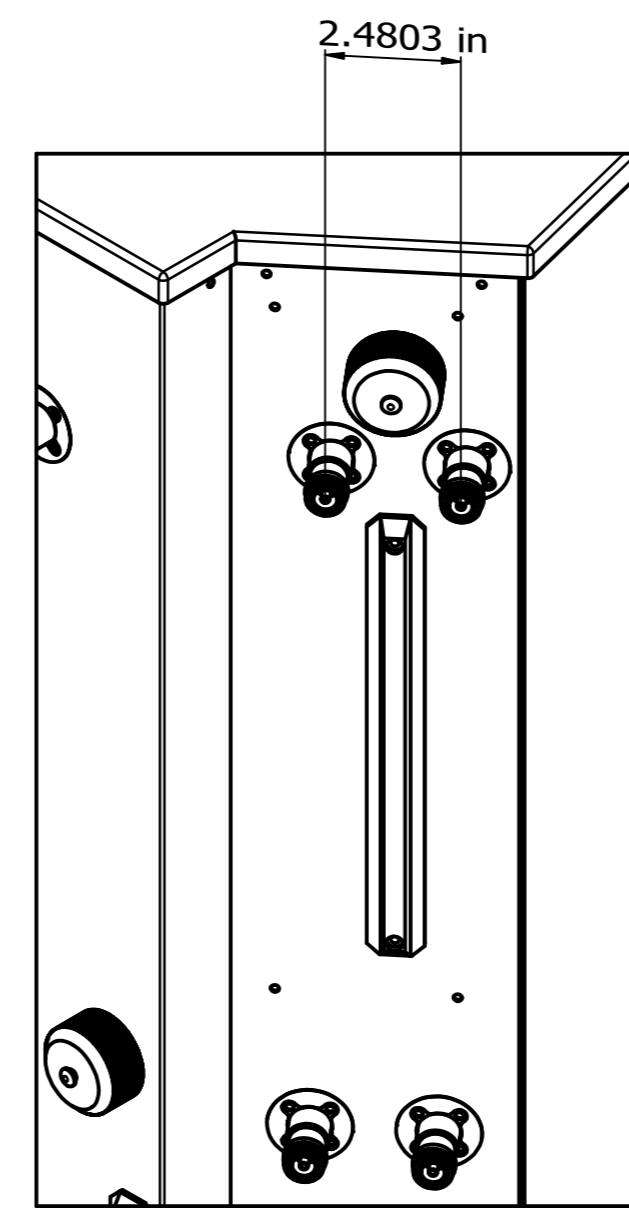


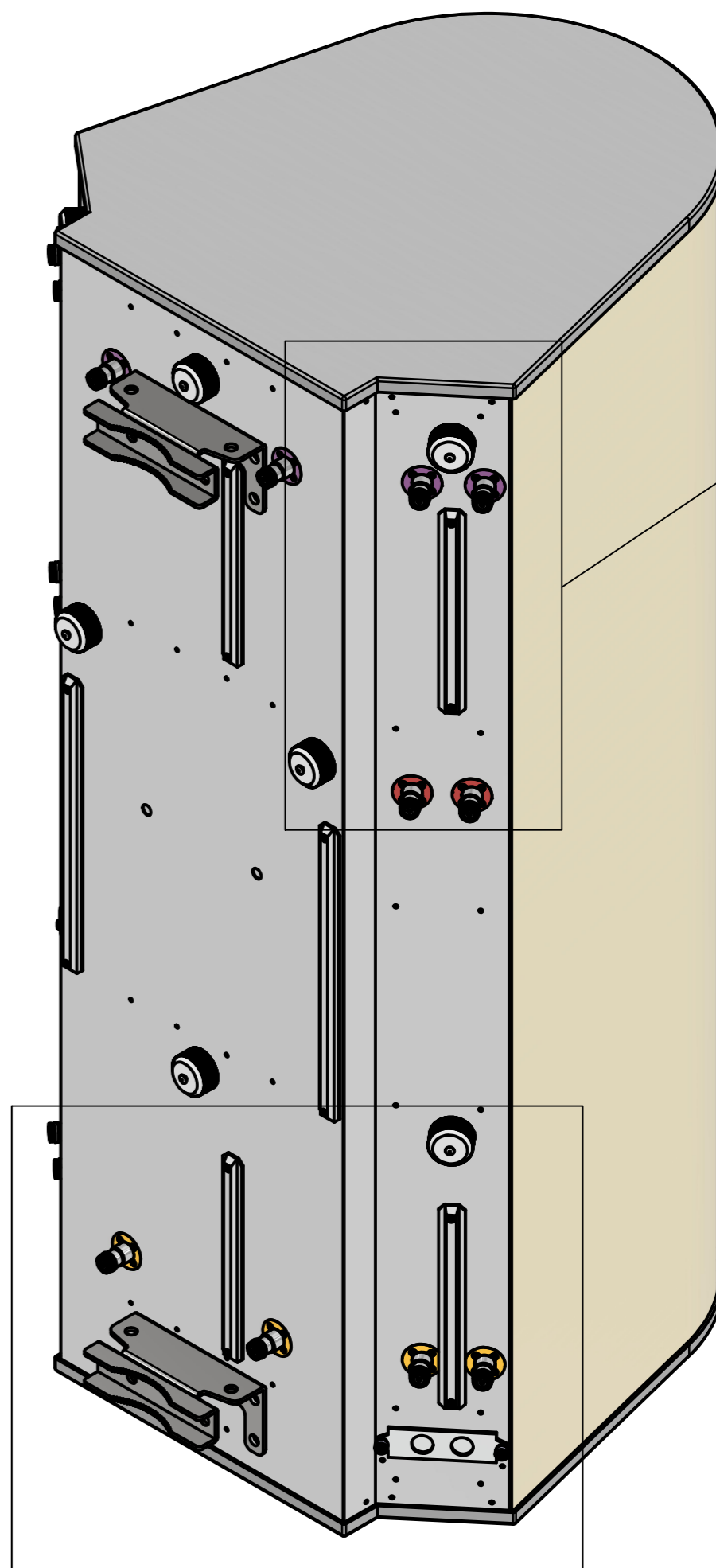
Designed by	Drawing by	Date	Approved by	Date	Quantity	Material
VIGNESH	LAWRENCE	5/2/2024	PAVEL	26/2/2024		
MATSING LENS TECHNOLOGY ENABLED						MS-MBA-3.3.2-C2-H2-L2
					MS-MBA-3.3.2-C2-H2-L2 (in)	Revision 1.0
						Sheet 1 / 3



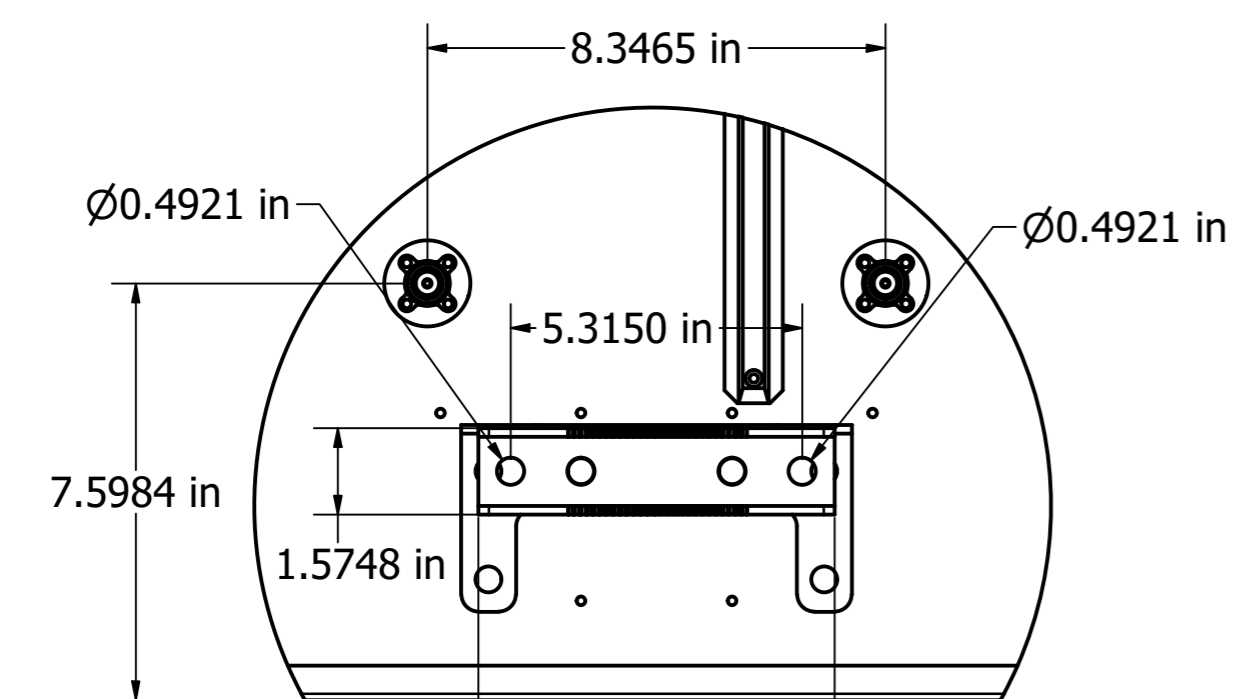
Detail A



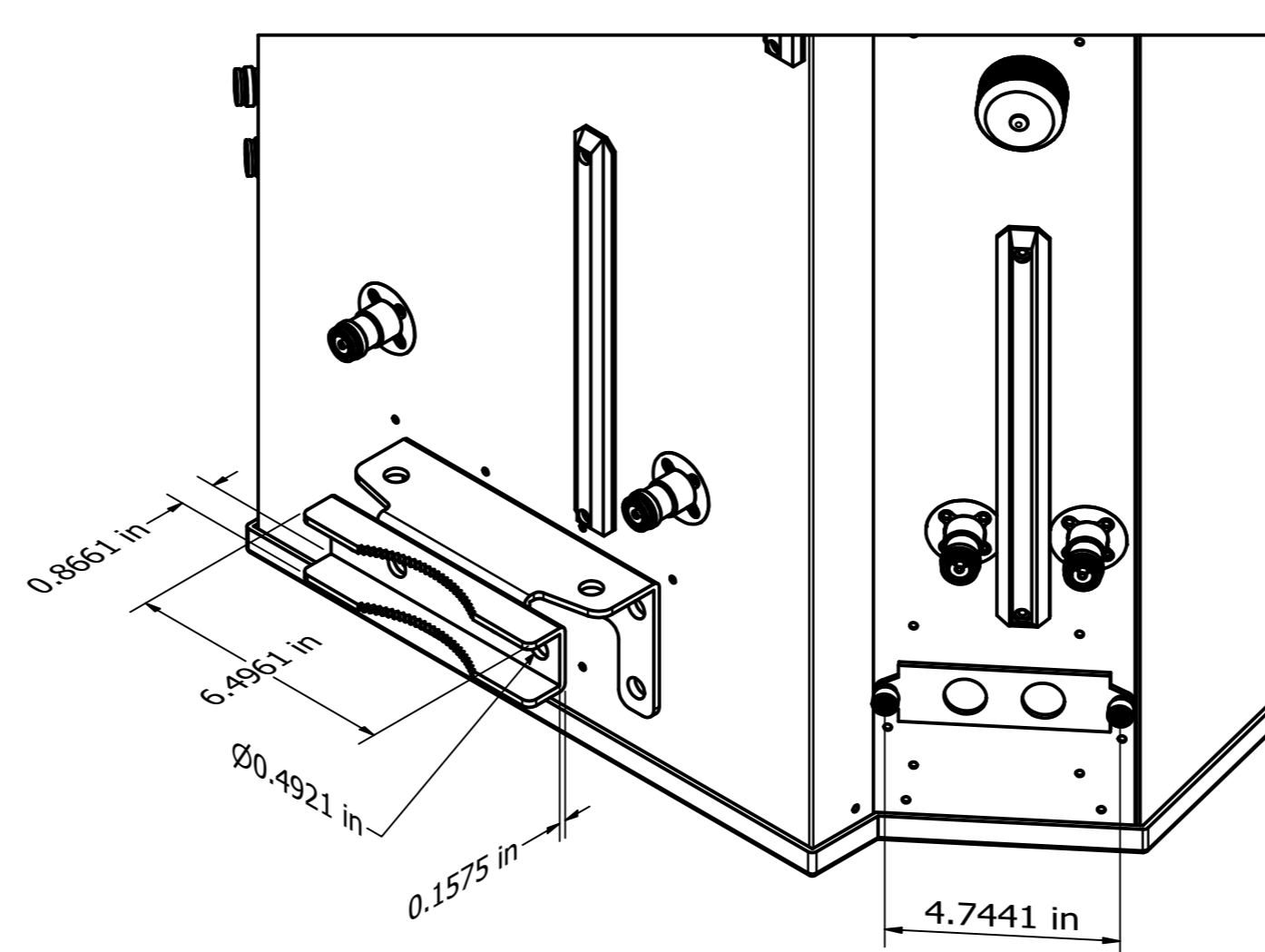
Detail C



Detail B

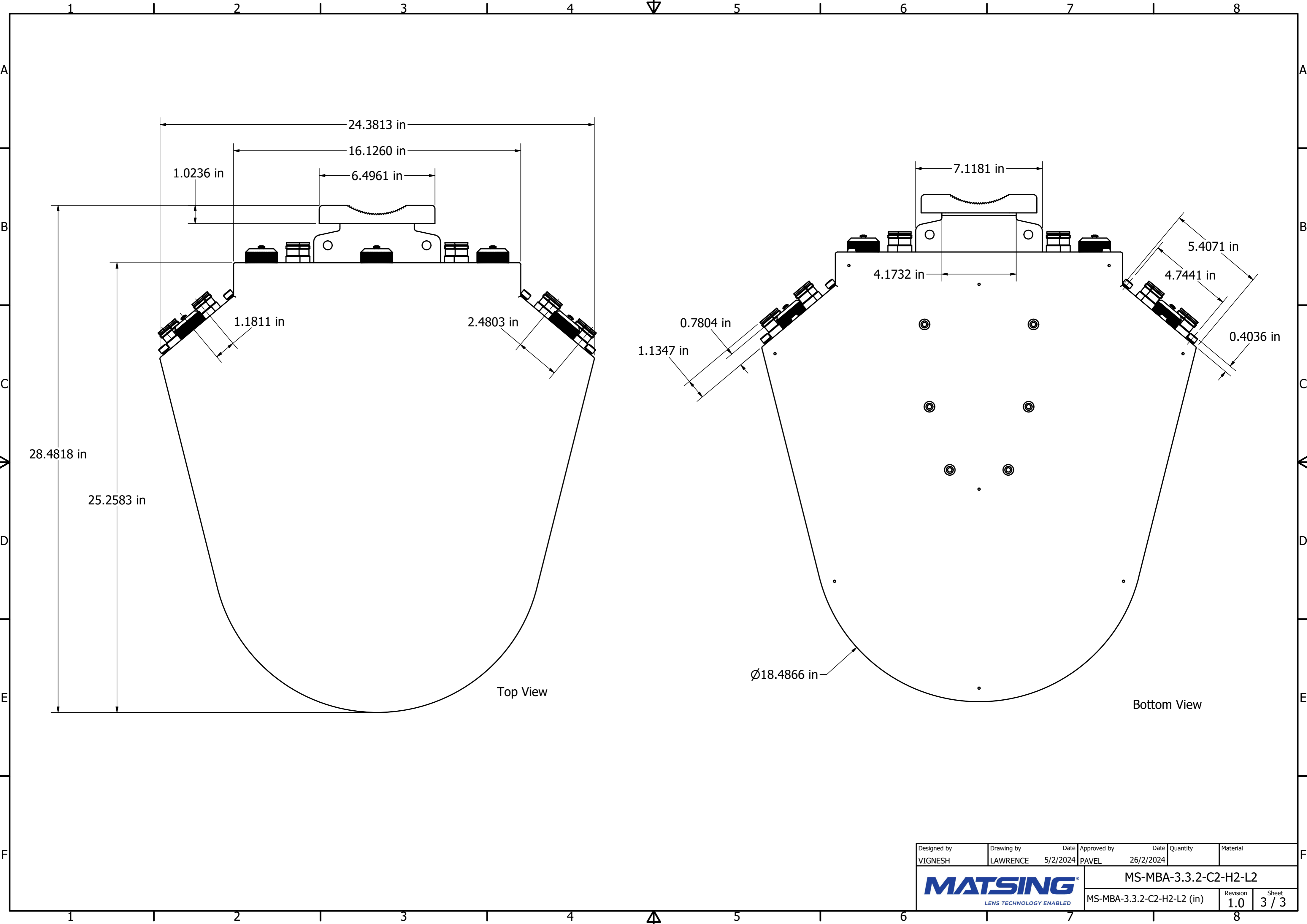


Detail A



Detail B

Designed by VIGNESH	Drawing by LAWRENCE	Date 5/2/2024	Approved by PAVEL	Date 26/2/2024	Quantity	Material
MATSING LENS TECHNOLOGY ENABLED						MS-MBA-3.3.2-C2-H2-L2
MS-MBA-3.3.2-C2-H2-L2 (in)					Revision 1.0	Sheet 2 / 3



Designed by VIGNESH	Drawing by LAWRENCE	Date 5/2/2024	Approved by PAVEL	Date 26/2/2024	Quantity	Material
MATSING LENS TECHNOLOGY ENABLED						MS-MBA-3.3.2-C2-H2-L2
MS-MBA-3.3.2-C2-H2-L2 (in)					Revision 1.0	Sheet 3 / 3