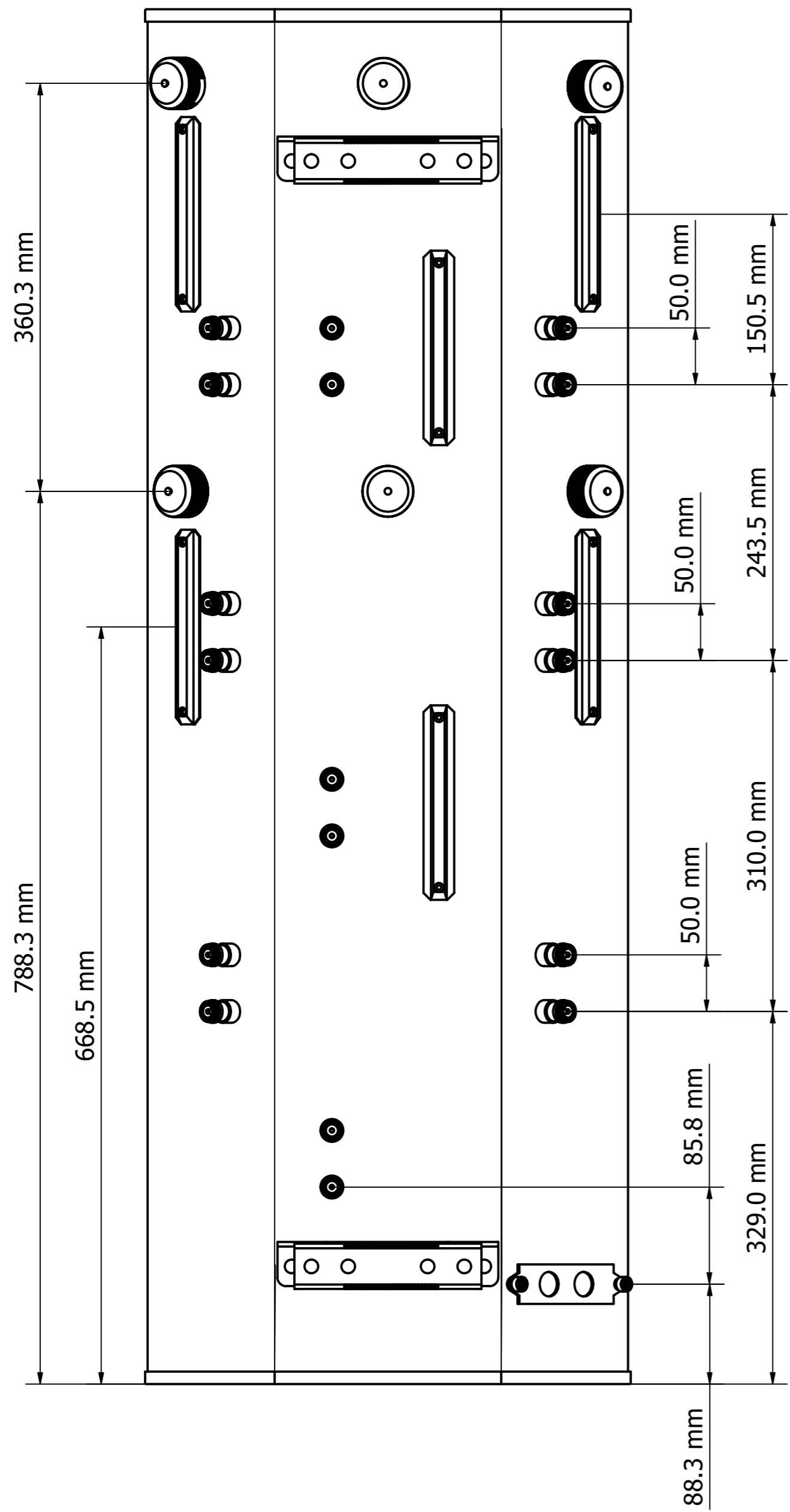
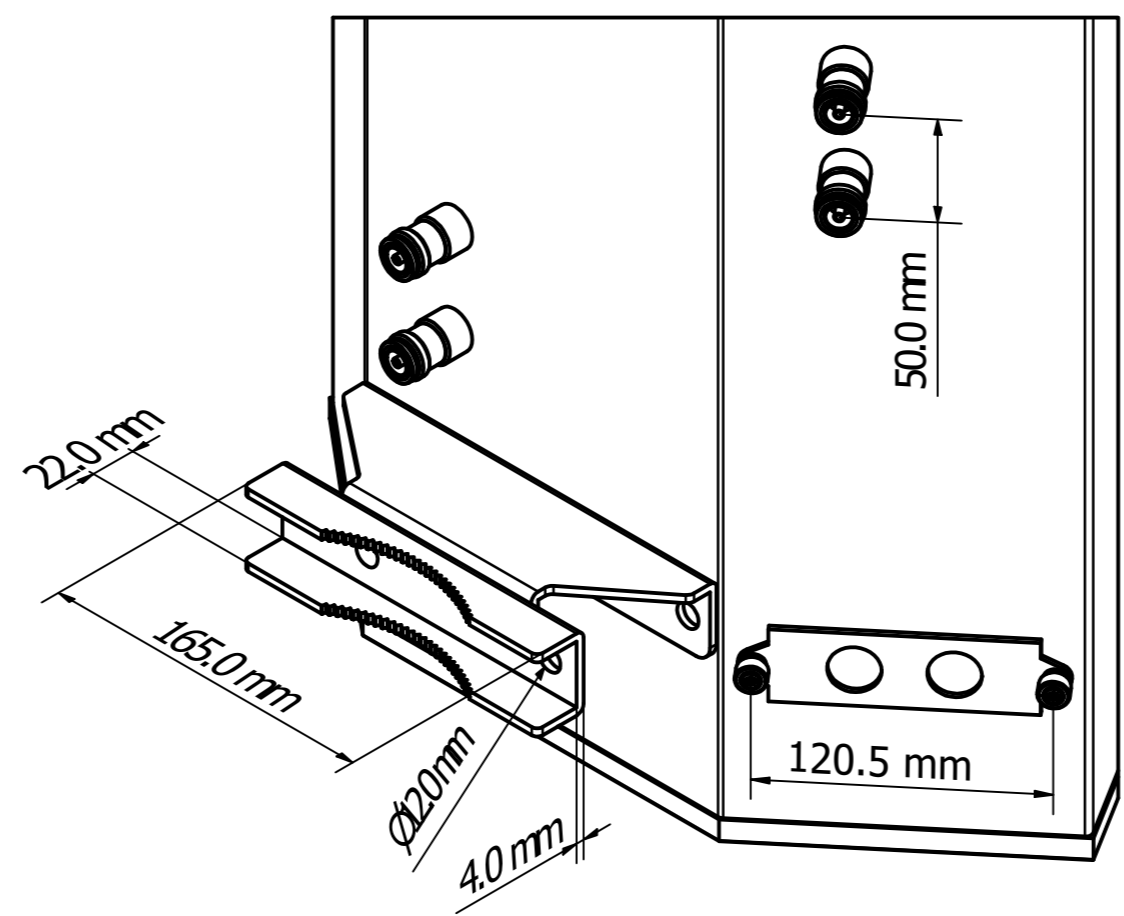
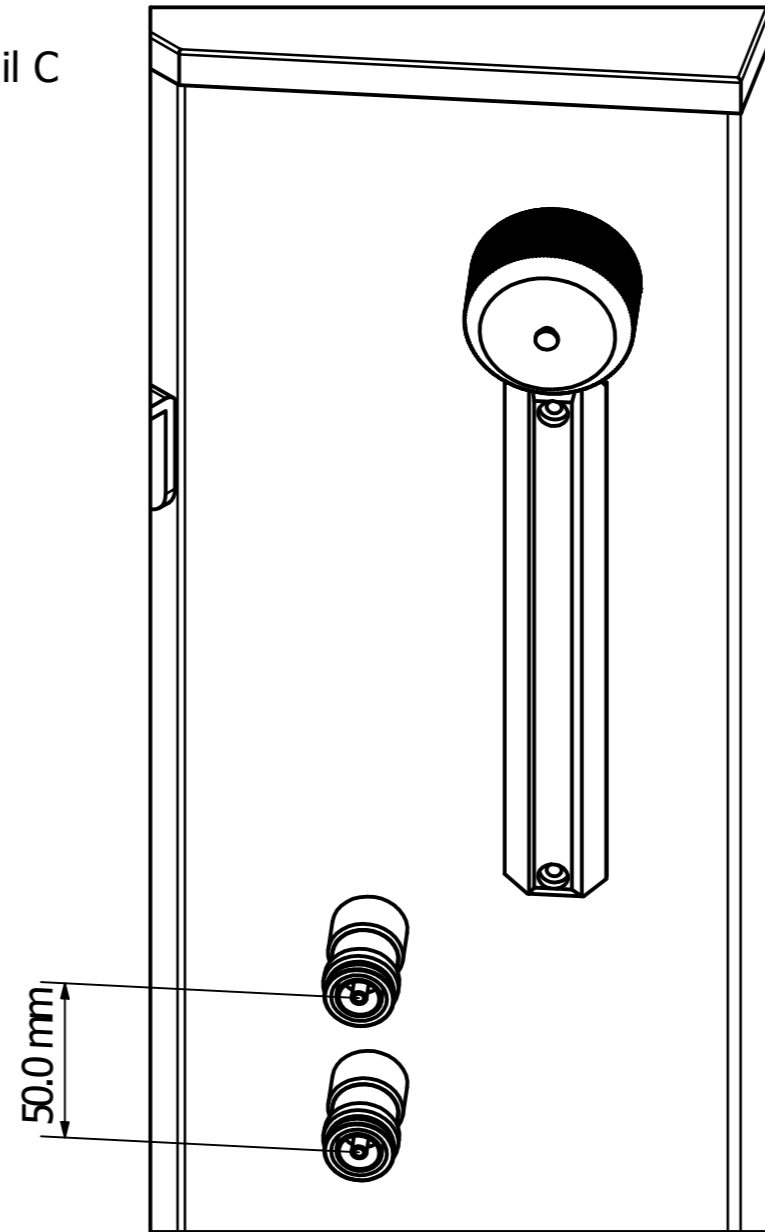


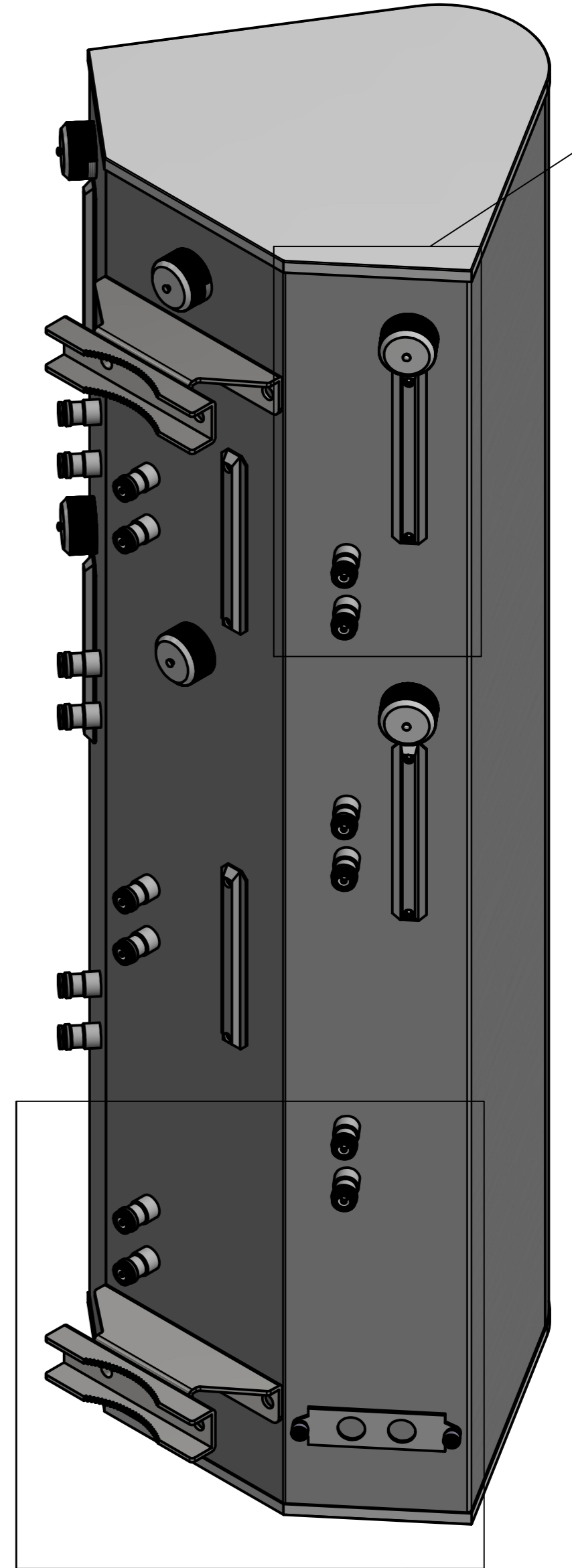
Designed by ALEXANDRE	Drawing by LAWRENCE	Date 9/28/2020	Approved by PAVEL	Date 10/1/2020	Quantity	Material	
MATSING LENS TECHNOLOGY ENABLED						MS-MBA-3.3-LAA2-F4	
MS-MBA-3.3-LAA2-F4 (mm)						Revision 2.0	Sheet 1 / 3



Detail C

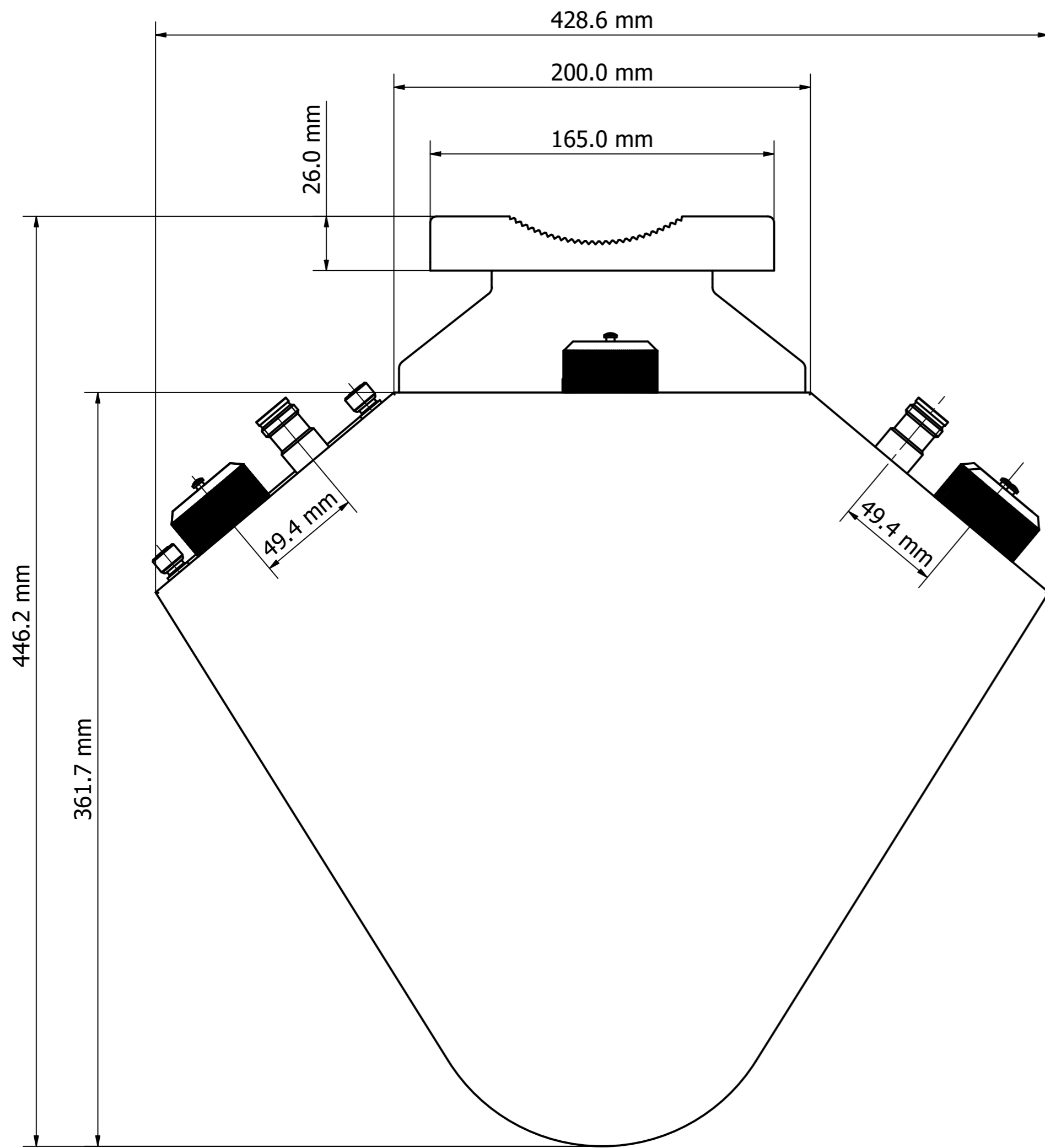


Detail B

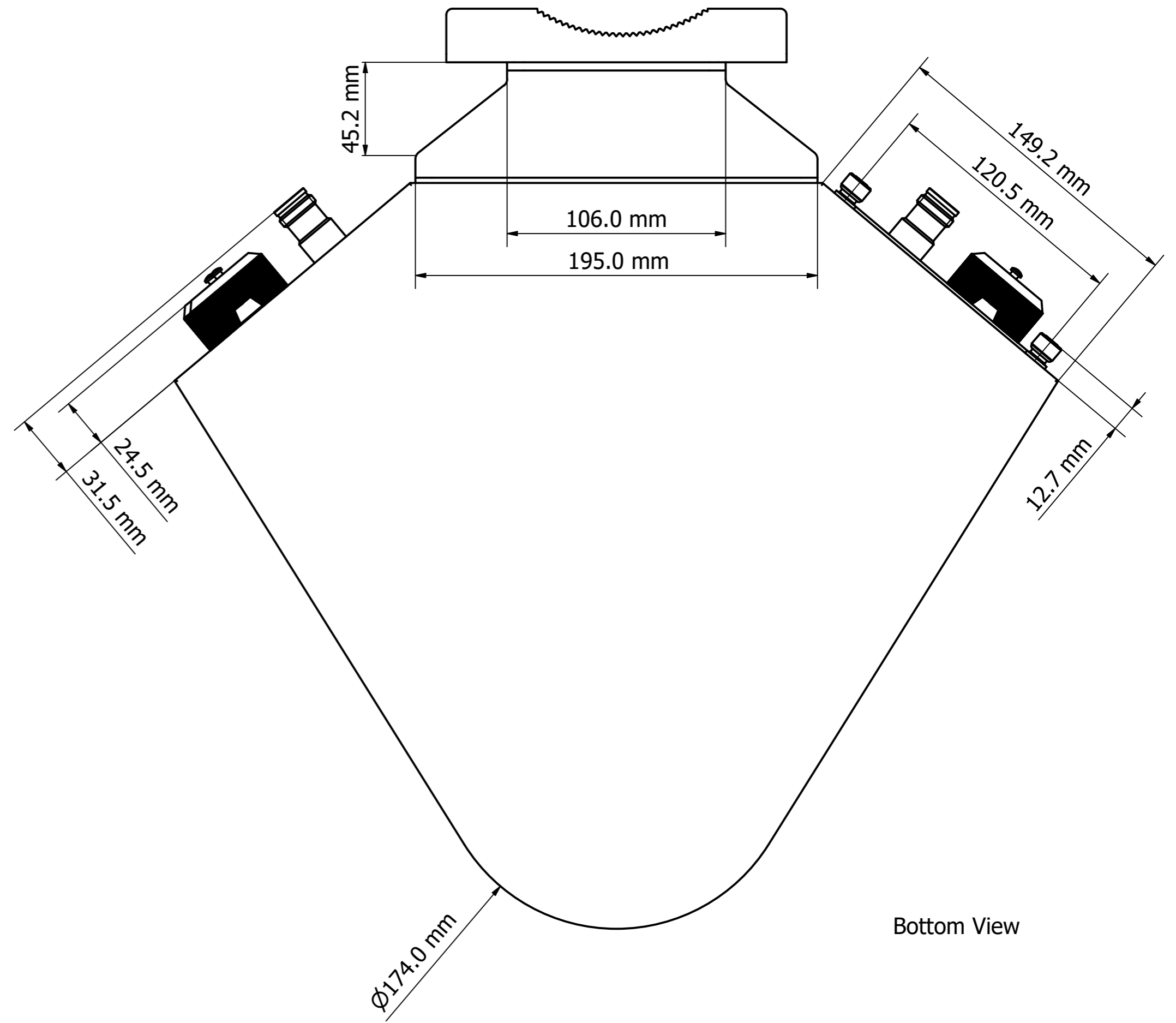


Detail B

Designed by	Drawing by	Date	Approved by	Date	Quantity	Material	
ALEXANDRE	LAWRENCE	9/28/2020	PAVEL	10/1/2020			
MATSING LENS TECHNOLOGY ENABLED						MS-MBA-3.3-LAA2-F4	
						MS-MBA-3.3-LAA2-F4 (mm)	Revision 2.0
							Sheet 2 / 3



Top View



Bottom View

Designed by ALEXANDRE	Drawing by LAWRENCE	Date 9/28/2020	Approved by PAVEL	Date 10/1/2020	Quantity	Material
						MS-MBA-3.3-LAA2-F4
						MS-MBA-3.3-LAA2-F4 (mm)