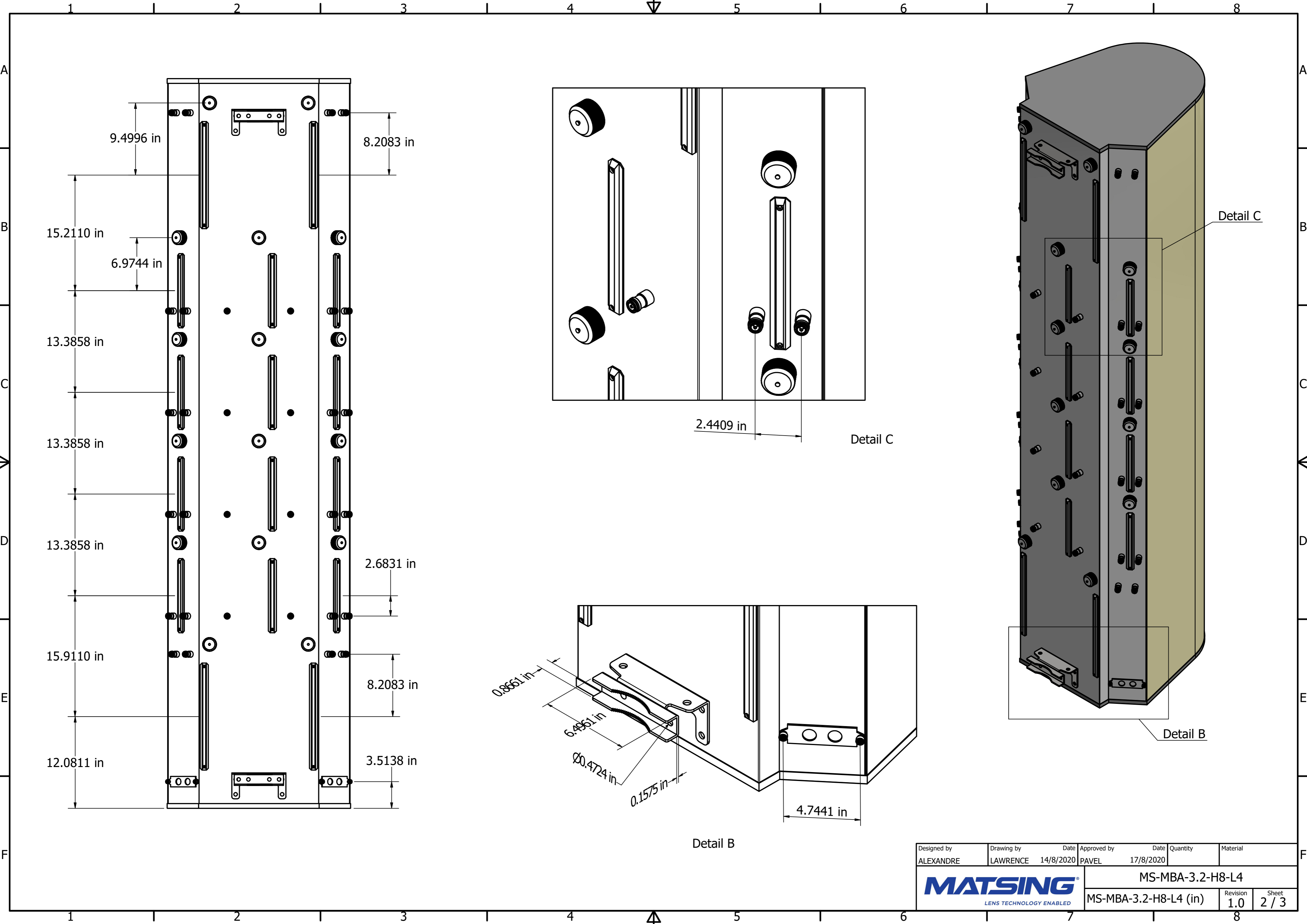
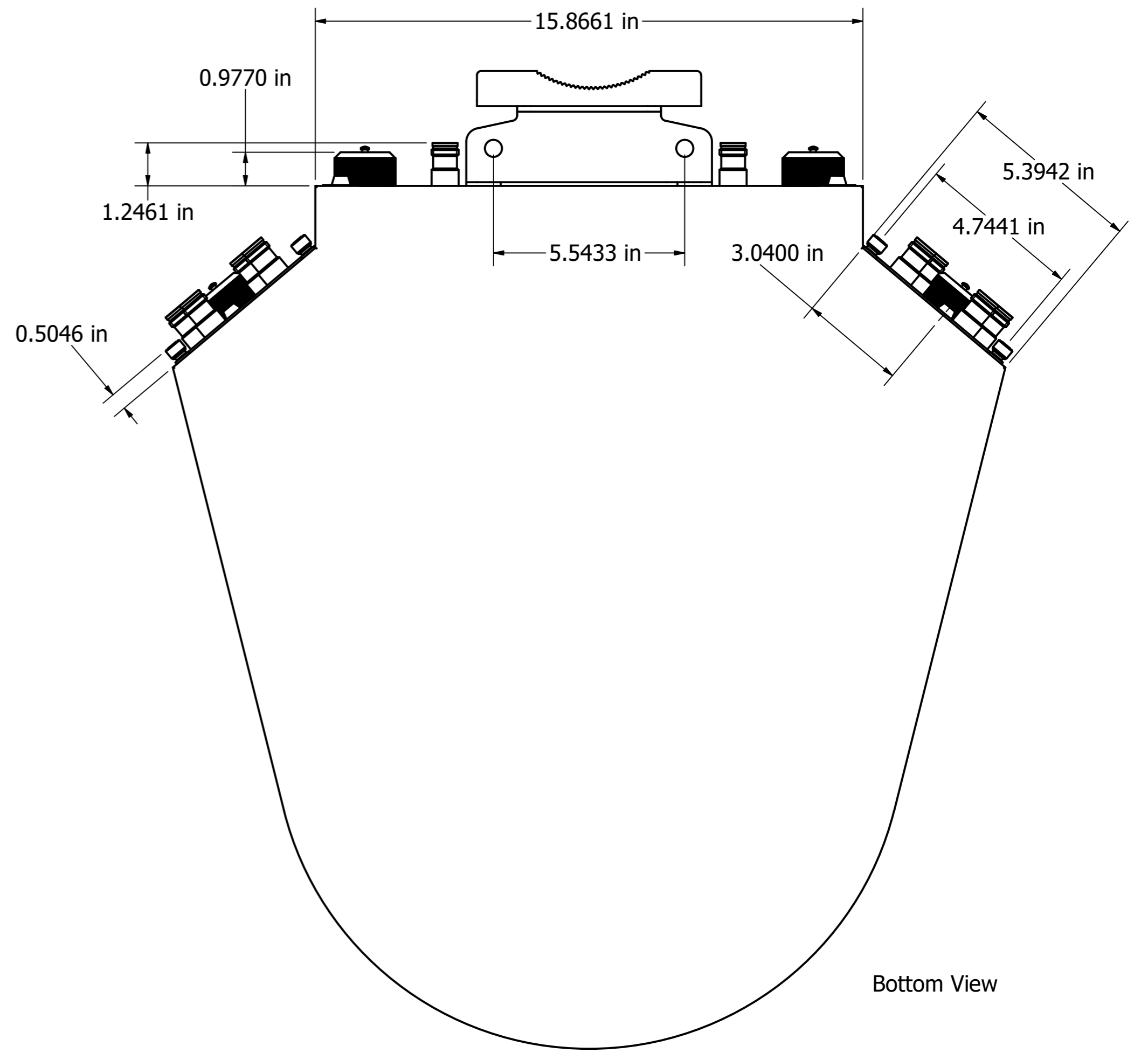
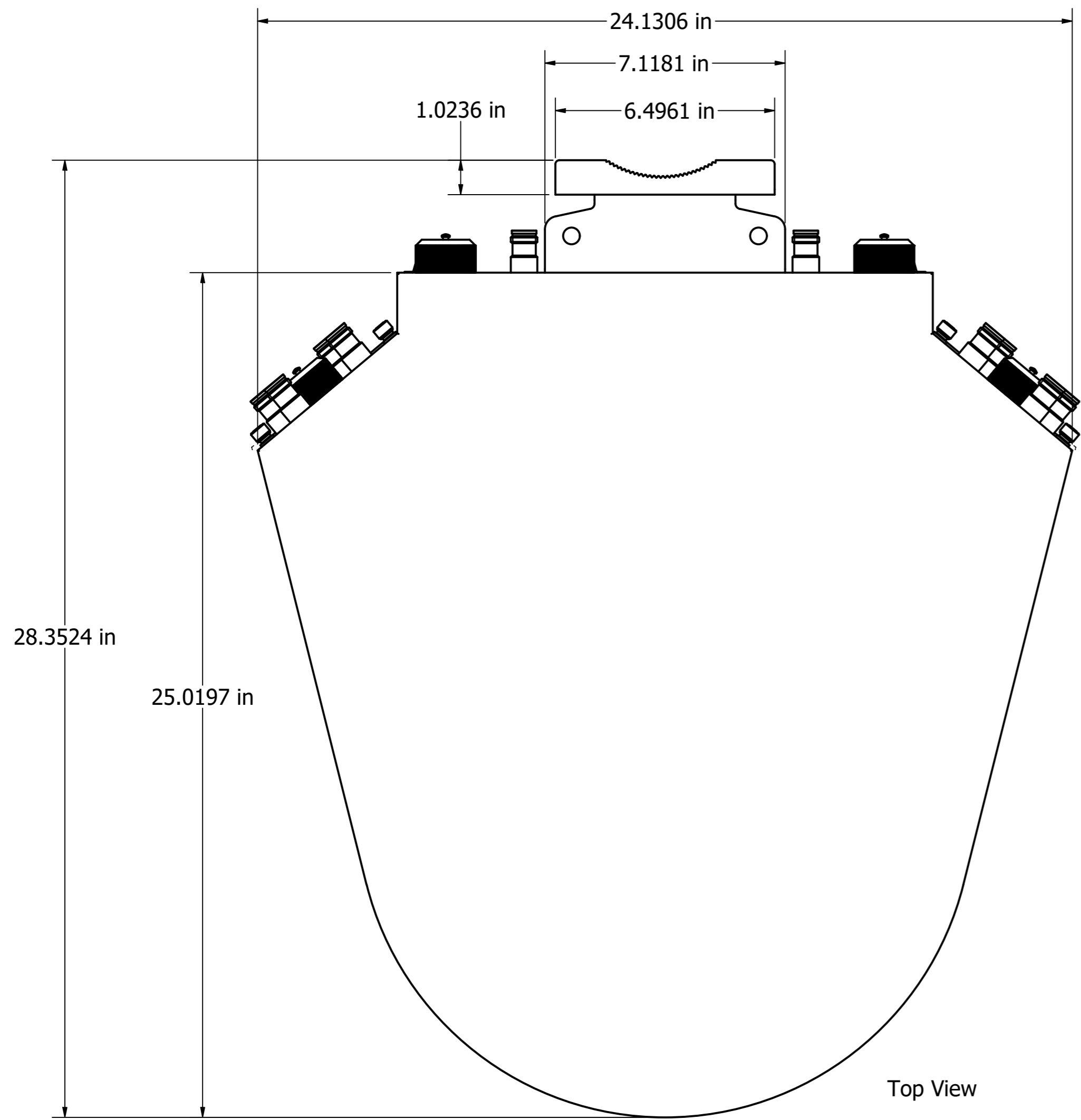


Designed by	Drawing by	Date	Approved by	Date	Quantity	Material	
ALEXANDRE	LAWRENCE	14/8/2020	PAVEL	17/8/2020			
MATSING LENS TECHNOLOGY ENABLED							
MS-MBA-3.2-H8-L4						Revision	Sheet
MS-MBA-3.2-H8-L4 (in)						1.0	1 / 3



Designed by ALEXANDRE	Drawing by LAWRENCE	Date 14/8/2020	Approved by PAVEL	Date 17/8/2020	Quantity	Material
MATSING LENS TECHNOLOGY ENABLED						MS-MBA-3.2-H8-L4
MS-MBA-3.2-H8-L4 (in)					Revision 1.0	Sheet 2 / 3



Designed by ALEXANDRE	Drawing by LAWRENCE	Date 14/8/2020	Approved by PAVEL	Date 17/8/2020	Quantity	Material
						MS-MBA-3.2-H8-L4
						MS-MBA-3.2-H8-L4 (in)